



Linear

MicroSquare gen2 wall

2600 lm/4ft, Direct
3000/3500/4000K



Project: _____
 Spec Type: _____
 Catalog No: 2221LxGLN _____
 Qty _____
 Line Notes: _____

Philips Ledalite's MicroSquare gen2 has been re-engineered to furnish your space with the highest quality, discreet, narrow lines of continuous light. Elegant, low glare illumination with wide-throw upper and lower distributions improve visual comfort while allowing increased fixture spacing. This in turn, helps reduce initial and operating costs.

Ordering guide

Product Type	Source	Color Temp *	Lumens *	Lower Optics	Upper Optics	Run Length	Wiring †	Voltage	Driver	Finish
2221	L		G	L	N					
MicroSquare II Wall Mount Direct	L LED	A 4000K B 3500K C 3000K	G 2600lm/4ft" K 1300lm/4ft"	L Flush Silk Lens	N Solid Housing	04 4' 06 6' 08 8' XX Total run length (4' increments)	7 1cct Dimming M 1cct Dimming + EM Wiring	1 120V 2 277V 3 347V	E Philips Advance 0-10V (1% dim)	W Standard White T Titanium Silver B Black C Custom

* Nominal values within a range. Consult photometry data for color temp, lumens & distribution of chosen configuration.
 † Not all wiring types are available with all configurations. Consult Philips Ledalite for a complete list of available options.

Mounting Hardware

Mount Type
 Consult separate mounting spec sheet for mount type options

Endcaps -



MicroSquare gen2 wall

2600 lm/4ft, Direct

3000/3500/4000K

Optical System

Upper hemisphere: Light from a linear array of upward-facing LEDs is shaped into a homogeneous, wide-throw batwing distribution using either a freeform elliptical lens or an engineered light guide panel.

Lower hemisphere: Light from a linear array of downward-facing LEDs is diffused through a transmissive white engineered acrylic lens to deliver a highly uniform, luminous continuum without sacrificing efficacy.

Endcaps

Cubic aluminum endcaps with an internal draw-tight connector to minimize the joint line.

Three styles available: solid cube, sculpted black acrylic insert or flush maple insert.

Finish

Standard finish is a textured matte powder coat in white, black or titanium silver.

Housing

Precision aluminum extrusion, post painted.

Weight

Maximum: Surface & Suspended Direct or Indirect - 7.5 lb/4ft; Suspended D/I - 9.5 lb/4ft; Wall D/I - 13.8 lb/4ft

Electrical

Factory pre-wired to section ends with quick-wire connectors.

Standard Driver

Philips Advance Xitanium 0-10V, 1-100%. Class 2 rated output. Consult Philips Ledalite for other available drivers.

Lumen Maintenance

LEDs have been tested by the manufacturer in accordance with IESNA LM-80-08. At an ambient temperature of 25°C, the LED lumen maintenance expectation according to IES TM-21-11 Reported methodology is:

L₈₀ (12k) >72,000 hrs.

Source Color

LEDs rated for color rendering CRI >80, R9 >0 and fixture to fixture color accuracy within 2 SDCM.

Mounting

Suspended: Tamper-resistant aircraft cable gripper provides unlimited vertical adjustment. Aircraft cable, crimp and cable gripper are independently tested to meet stringent safety requirements.

Wall: A hidden steel rail and bracket system attaches the housing to the wall structure. Mount positioning is fully variable along the modules to accommodate site conditions, spaced up to 4½" on center and within 12" of an end or joint.

Surface: Fixture is mounted flush to surface using hidden brackets at ends and joints.

Approvals

Certified to UL, CSA and IES standards.

Certain suspended indirect/direct versions are DesignLights Consortium® qualified. Please see the DLC QPL list for exact catalog numbers (www.designlights.org/QPL).

Warranty

Philips indoor professional luminaires 5 year LED warranty: www.philips.com/warranties.

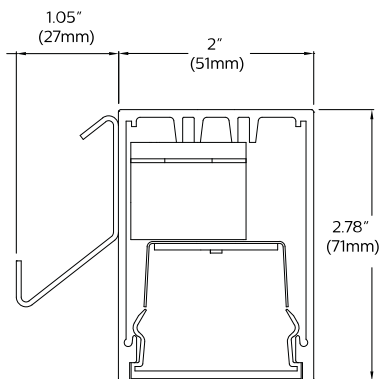
Environment

Rated for dry or damp locations in operating ambient temperatures 0-40°C (32-104°F). Certain luminaire components may be adversely affected by contaminants. Damage caused by sulfur, chlorine, petroleum based solutions or other contaminants in the area of operation are not covered under warranty. Not suitable for natatorium environments.

Due to continuing product improvements, Philips Ledalite reserves the right to change the specifications without notice.

Dimensions - Cross Section

Wall Direct

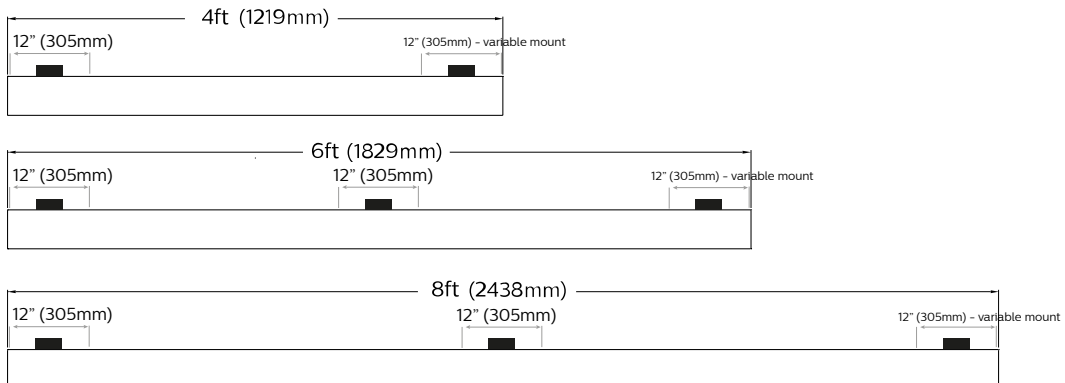


MicroSquare gen2 wall

2600 lm/4ft, Direct
3000/3500/4000K

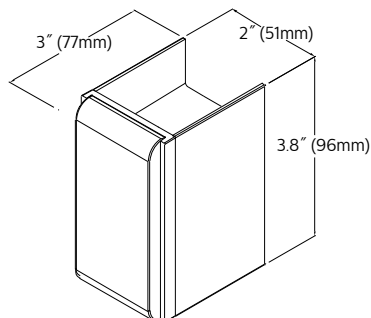
Dimensions - Modules

Wall Mount - Top view, no end caps

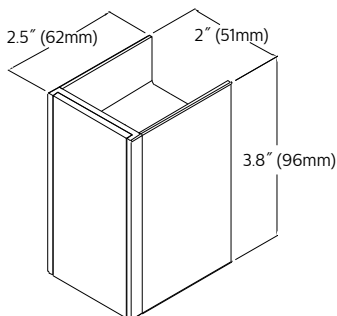


Optics and Styles

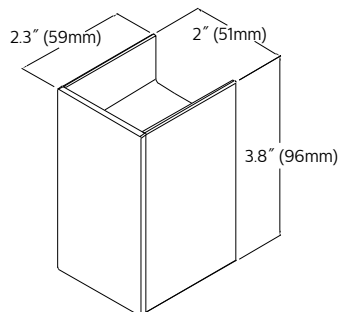
Endcap Details



Sculpted Black Acrylic



Flush Maple

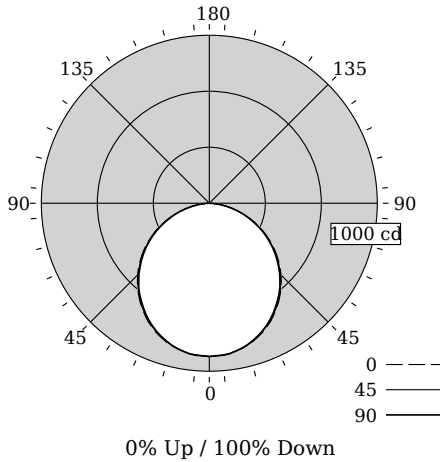


Solid Cube

MicroSquare gen2 wall

2600 lm/4ft, Direct
3000/3500/4000K

Photometry - 3500K



Candela Distribution

Vertical Angle	Horizontal Angle				Zonal Lumens
	0	22.5	45	67.5	
0	912	912	912	912	0
5	909	909	907	909	86
15	877	871	875	873	246
25	812	802	808	806	371
35	719	711	715	711	446
45	604	598	598	594	461
55	472	468	466	460	416
65	326	324	320	316	317
75	174	172	172	172	182
85	40	41	43	43	49
90	0	0	0	0	0
95	0	0	0	0	0
105	0	0	0	0	0
115	0	0	0	0	0
125	0	0	0	0	0
135	0	0	0	0	0
145	0	0	0	0	0
155	0	0	0	0	0
165	0	0	0	0	0
175	0	0	0	0	0
180	0	0	0	0	0

Values per 4ft unit

Fixture photometry has been conducted in accordance with IESNA LM-79-08

IES files for this and other photometric options can be downloaded online at www.lightingproducts.philips.com

Coefficients of Utilization (%)

RCR	Ceiling										
	70	50	30	10	70	50	30	50	30	10	0
0	119	119	119	119	116	116	116	111	111	111	100
1	109	104	100	96	106	102	98	97	94	91	84
2	99	90	84	78	96	89	82	85	80	75	69
3	90	79	71	65	87	78	70	75	68	63	58
4	82	70	61	55	80	69	61	66	59	53	50
5	76	63	54	47	74	62	53	59	52	46	43
6	70	56	47	41	68	56	47	54	46	40	38
7	65	51	42	36	63	50	42	49	41	36	33
8	60	47	38	32	59	46	38	45	37	32	30
9	56	43	35	29	55	42	34	41	34	29	27
10	53	40	32	26	52	39	31	38	31	26	24

Avg. Luminance (cd/m2)

Vertical Angle	Horizontal Angle		
	0	45	90
55	14168	13990	13812
65	13275	13034	12873
75	11561	11429	11429
85	7802	8583	8583

Distribution

Hemisphere	0% Up / 100% Down
Spacing Along (0 °)	1.25
Spacing Across (90 °)	1.24

Philips Ledalite

LED lighting facts
A Program of the U.S. DOE

Light Output (Lumens) **2574**
Watts **25.1**
Lumens per Watt (Efficacy) **102.55**

Color Accuracy
Color Rendering Index (CRI) **84**

Light Color
Correlated Color Temperature (CCT) **3487 (Bright White)**

2700K 3000K 4500K 6500K

All results are according to IESNA LM-79-2008: Approved Method for the Electrical and Photometric Testing of Solid-State Lighting. The U.S. Department of Energy (DOE) verifies product test data and results.

Visit www.lightingfacts.com for the Label Reference Guide.

Registration Number: F46Z-M54UDI (3/6/2017)
 Model Number: 22x1LBGLN
 Type: Luminaire - Linear

MicroSquare gen2 wall

2600 lm/4ft, Direct
3000/3500/4000K

Optical Performance

Nominal CCT:	3000K	3500K	4000K
Flux (lm)	2497	2574	2567
Efficacy (lm/W)	98.7	102.6	101.5
Power (W)	25.3	25.1	25.3
CCT (K)	3126	3487	4128
CRI	83	84	84
R9	9	9	13
x	0.4274	0.4063	0.3748
y	0.3990	0.3920	0.3728
Duv	-0.0010	0.0000	0.0000

Electrical Performance - 3500K

Input Voltage	120V	277V	347V
Input Power	25.1W	25.1W	26.1W
Input Current	0.21A	0.10A	0.08A
Power Factor	0.999	0.947	0.946
Total Harm. Distortion	8.9%	12.2%	12.0%

Tested values . contact technical support for rated values. Off-state power zero unless certain controls are specified.

