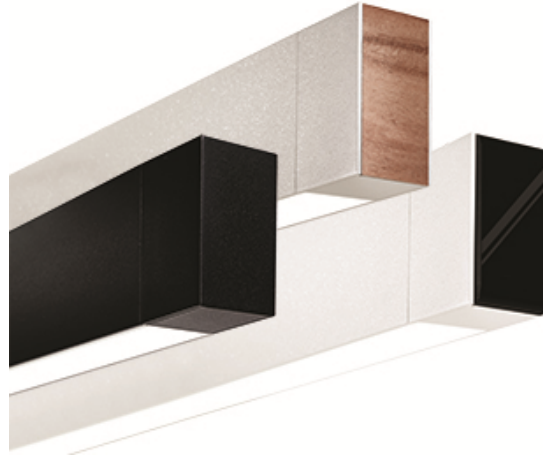




Linear

MicroSquare gen2 wall

3100 lm/4ft, Indirect/Direct Asym
3000/3500/4000K



Project: _____
Spec Type: _____
Catalog No: 2225LXELW _____
Qty _____
Line Notes: _____

Philips Ledalite's MicroSquare gen2 has been re-engineered to furnish your space with the highest quality, discreet, narrow lines of continuous light. Elegant, low glare illumination with wide-throw upper and lower distributions improve visual comfort while allowing increased fixture spacing. This in turn, helps reduce initial and operating costs.

Ordering guide

Product Type	Source	Color Temp *	Lumens *	Lower Optics	Upper Optics	Run Length	Wiring †	Voltage	Driver	Finish
2225	L		E	L	W					
MicroSquare II Wall Mount Indirect/Direct	L LED	A 4000K B 3500K C 3000K	B 5900 lm/4ft (75% Up) C 4700 lm/4ft (70% Up) E 3100 lm/4ft (55% Up)	L Flush Silk Lens	WAsymmetric Wide-Throw Lens	04 4' 06 6' 08 8' XX Total run length (4' increments)	7 1 cct Dimming G 2 cct Up/Dn Dimming K 2 cct Up/Dn Dimming + EM Wiring M 1 cct Dimming + EM Wiring	1 120V 2 277V 3 347V	E Philips Advance 0-10V (1% dim)	W Standard White T Titanium Silver B Black C Custom

* Nominal values within a range. Consult photometry data for color temp, lumens & distribution of chosen configuration.
† Not all wiring types are available with all configurations. Consult Philips Ledalite for a complete list of available options.

Mounting Hardware

Mount Type
Consult separate mounting spec sheet for mount type options

Endcaps -



MicroSquare gen2 wall

3100 lm/4ft, Indirect/Direct Asym

3000/3500/4000K

Optical System

Upper hemisphere: Light from a linear array of upward-facing LEDs is shaped into a homogeneous, wide-throw batwing distribution using either a freeform elliptical lens or an engineered light guide panel.

Lower hemisphere: Light from a linear array of downward-facing LEDs is diffused through a transmissive white engineered acrylic lens to deliver a highly uniform, luminous continuum without sacrificing efficacy.

Endcaps

Cubic aluminum endcaps with an internal draw-tight connector to minimize the joint line.

Three styles available: solid cube, sculpted black acrylic insert or flush maple insert.

Finish

Standard finish is a textured matte powder coat in white, black or titanium silver.

Housing

Precision aluminum extrusion, post painted.

Weight

Maximum: Surface & Suspended Direct or Indirect - 7.5 lb/4ft; Suspended D/I - 9.5 lb/4ft; Wall D/I - 13.8 lb/4ft

Electrical

Factory pre-wired to section ends with quick-wire connectors.

Standard Driver

Philips Advance Xitanium 0-10V, 1-100%. Class 2 rated output. Consult Philips Ledalite for other available drivers.

Lumen Maintenance

LEDs have been tested by the manufacturer in accordance with IESNA LM-80-08. At an ambient temperature of 25°C, the LED lumen maintenance expectation according to IES TM-21-11 Reported methodology is:

L₈₀ (12k) >72,000 hrs.

Source Color

LEDs rated for color rendering CRI >80, R9 >0 and fixture to fixture color accuracy within 2 SDCM.

Mounting

Suspended: Tamper-resistant aircraft cable gripper provides unlimited vertical adjustment. Aircraft cable, crimp and cable gripper are independently tested to meet stringent safety requirements.

Wall: A hidden steel rail and bracket system attaches the housing to the wall structure. Mount positioning is fully variable along the modules to accommodate site conditions, spaced up to 4½" on center and within 12" of an end or joint.

Surface: Fixture is mounted flush to surface using hidden brackets at ends and joints.

Approvals

Certified to UL, CSA and IES standards.

Certain suspended indirect/direct versions are

DesignLights Consortium® qualified. Please see the DLC

QPL list for exact catalog numbers

(www.designlights.org/QPL).

Warranty

Philips indoor professional luminaires 5 year LED

warranty: www.philips.com/warranties.

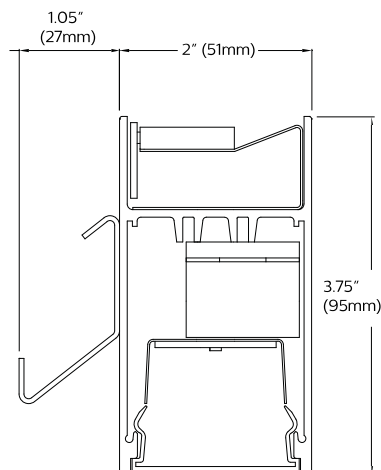
Environment

Rated for dry or damp locations in operating ambient temperatures 0-40°C (32-104°F). Certain luminaire components may be adversely affected by contaminants. Damage caused by sulfur, chlorine, petroleum based solutions or other contaminants in the area of operation are not covered under warranty. Not suitable for natatorium environments.

Due to continuing product improvements, Philips Ledalite reserves the right to change the specifications without notice.

Dimensions - Cross Section

Wall Direct/Indirect



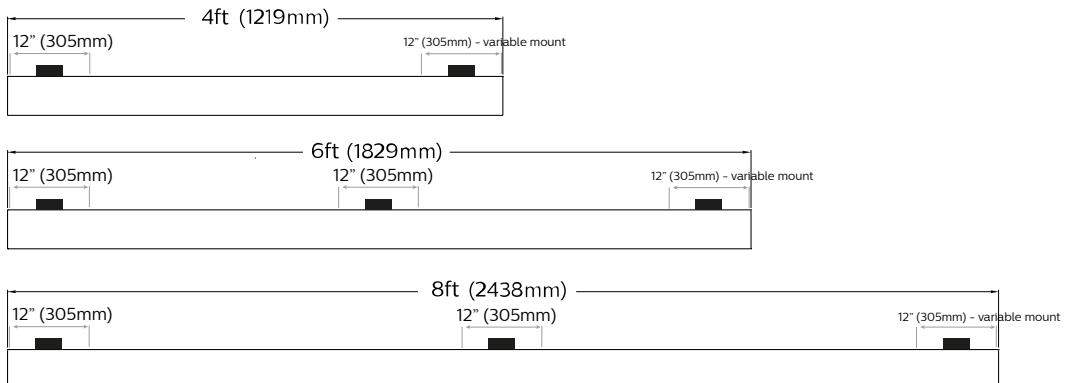
MicroSquare gen2 wall

3100 lm/4ft, Indirect/Direct Asym

3000/3500/4000K

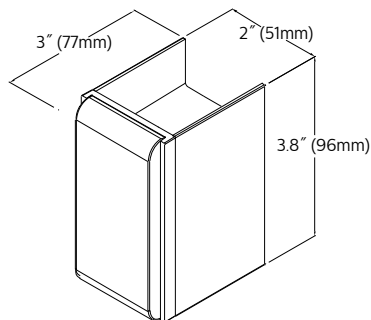
Dimensions - Modules

Wall Mount - Top view, no end caps

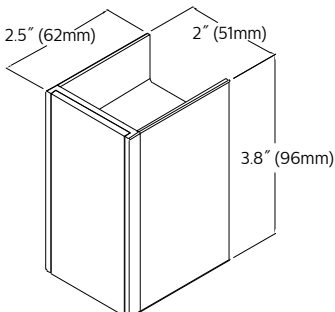


Optics and Styles

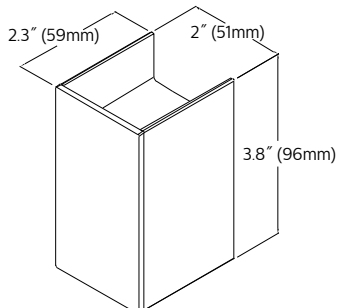
Endcap Details



Sculpted Black Acrylic



Flush Maple



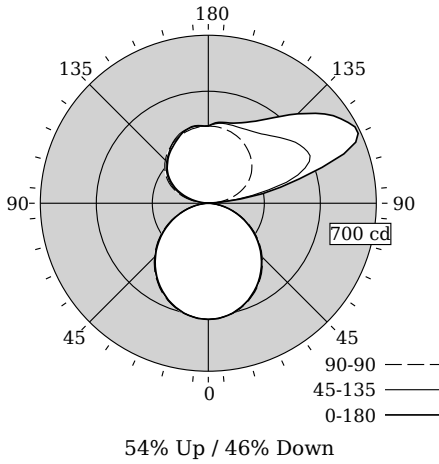
Solid Cube

MicroSquare gen2 wall

3100 lm/4ft, Indirect/Direct Asym

3000/3500/4000K

Photometry - 3500K



Candela Distribution

Vertical Angle	Horizontal Angle				Zonal Lumens
	0	45	90	135	
0	484	484	484	484	0
5	482	481	482	481	46
15	461	462	464	462	130
25	424	426	428	426	196
35	374	376	379	376	235
45	311	315	317	315	242
55	241	244	247	244	218
65	165	167	170	167	165
75	89	89	90	89	94
85	22	21	20	21	25
90	0	0	0	0	0
95	55	47	34	24	50
105	393	337	109	99	206
115	689	468	172	163	298
125	636	443	219	210	288
135	527	393	253	246	248
145	429	358	280	277	200
155	372	343	301	307	149
165	346	339	314	322	93
175	336	332	321	322	31
180	322	322	322	322	0

Values per 4ft unit

Fixture photometry has been conducted in accordance with IESNA LM-79-08

IES files for this and other photometric options can be downloaded online at www.lightingproducts.philips.com

Coefficients of Utilization (%)

RCR	Ceiling										0
	70	50	30	10	70	50	30	50	30	10	
0	106	106	106	106	98	98	98	81	81	81	46
1	97	92	89	85	89	85	82	71	69	66	39
2	88	81	74	69	81	74	69	62	58	55	32
3	80	71	63	58	73	65	59	55	50	46	27
4	73	62	55	48	67	58	51	48	43	39	23
5	67	56	47	41	61	51	44	43	38	34	20
6	62	50	42	36	57	46	39	39	33	29	18
7	57	45	37	31	52	42	34	35	30	26	16
8	53	41	33	28	49	38	31	32	27	23	14
9	49	37	30	25	45	34	28	29	24	20	12
10	46	34	27	22	42	32	25	27	22	18	11

Avg. Luminance (cd/m2)

Vertical Angle	Horizontal Angle		
	0	90	180
55	7234	7414	7234
65	6722	6925	6722
75	5920	5987	5920
85	4346	3951	4346

Distribution

Hemisphere	54% Up / 46% Down
Glare Control	Meets RP-1-12 recommendations for VDT-Critical spaces
Spacing at 180 °	1.23

MicroSquare gen2 wall

3100 lm/4ft, Indirect/Direct Asym

3000/3500/4000K

Optical Performance

Nominal CCT:	3000K	3500K	4000K
Flux (lm)	2829	2914	2905
Efficacy (lm/W)	115.0	118.9	117.6
Power (W)	24.6	24.5	24.7
CCT (K)	3107	3487	4128
CRI	84	84	84
R9	11	9	13
x	0.4288	0.4063	0.3748
y	0.3998	0.3920	0.3728
Duv	-0.0010	0.0000	0.0000

Electrical Performance - 3500K

Input Voltage	120V	277V	347V
Input Power	24.5W	24.5W	25.0W
Input Current	0.21A	0.09A	0.08A
Power Factor	0.990	0.949	0.943
Total Harm. Distortion	9.1%	12.4%	12.0%

Tested values . contact technical support for rated values. Off-state power zero unless certain controls are specified.

