



Linear

MicroSquare gen2 wall

5900 lm/4ft, Direct/Indirect Asym
3000/3500/4000K



Project: _____
Spec Type: _____
Catalog No: 2226LxBLW _____
Qty _____
Line Notes: _____

Philips Ledalite's MicroSquare gen2 has been re-engineered to furnish your space with the highest quality, discreet, narrow lines of continuous light. Elegant, low glare illumination with wide-throw upper and lower distributions improve visual comfort while allowing increased fixture spacing. This in turn, helps reduce initial and operating costs.

Ordering guide

Product Type	Source	Color Temp *	Lumens *	Lower Optics	Upper Optics	Run Length	Wiring †	Voltage	Driver	Finish
2226	L		B	L	W					
MicroSquare II Wall Mount Direct/Indirect	L LED	A 4000K B 3500K C 3000K	B 5900 lm/4ft (45% Down) C 4300 lm/4ft (60% Down) E 3300 lm/4ft (75% Down)	L Flush Silk Lens	WAsymmetric Wide-Throw Lens	04 4' 06 6' 08 8' XX Total run length (4' increments)	7 1 cct Dimming G 2 cct Up/Dn Dimming K 2 cct Up/Dn Dimming + EM Wiring M 1 cct Dimming + EM Wiring	1 120V 2 277V 3 347V	E Philips Advance 0-10V (1% dim)	W Standard White T Titanium Silver B Black C Custom

* Nominal values within a range. Consult photometry data for color temp, lumens & distribution of chosen configuration.

† Not all wiring types are available with all configurations. Consult Philips Ledalite for a complete list of available options.

Mounting Hardware

Mount Type
Consult separate mounting spec sheet for mount type options

Endcaps -



SC - Solid Cube (standard)



SB - Sculpted Black Acrylic



FM - Flush Maple



MicroSquare gen2 wall

5900 lm/4ft, Direct/Indirect Asym

3000/3500/4000K

Optical System

Upper hemisphere: Light from a linear array of upward-facing LEDs is shaped into a homogeneous, wide-throw batwing distribution using either a freeform elliptical lens or an engineered light guide panel.

Lower hemisphere: Light from a linear array of downward-facing LEDs is diffused through a transmissive white engineered acrylic lens to deliver a highly uniform, luminous continuum without sacrificing efficacy.

Endcaps

Cubic aluminum endcaps with an internal draw-tight connector to minimize the joint line.

Three styles available: solid cube, sculpted black acrylic insert or flush maple insert.

Finish

Standard finish is a textured matte powder coat in white, black or titanium silver.

Housing

Precision aluminum extrusion, post painted.

Weight

Maximum: Surface & Suspended Direct or Indirect - 7.5 lb/4ft; Suspended D/I - 9.5 lb/4ft; Wall D/I - 13.8 lb/4ft

Electrical

Factory pre-wired to section ends with quick-wire connectors.

Standard Driver

Philips Advance Xitanium 0-10V, 1-100%. Class 2 rated output. Consult Philips Ledalite for other available drivers.

Lumen Maintenance

LEDs have been tested by the manufacturer in accordance with IESNA LM-80-08. At an ambient temperature of 25°C, the LED lumen maintenance expectation according to IES TM-21-11 Reported methodology is:

L₈₀ (12k) >72,000 hrs.

Source Color

LEDs rated for color rendering CRI >80, R9 >0 and fixture to fixture color accuracy within 2 SDCM.

Mounting

Suspended: Tamper-resistant aircraft cable gripper provides unlimited vertical adjustment. Aircraft cable, crimp and cable gripper are independently tested to meet stringent safety requirements.

Wall: A hidden steel rail and bracket system attaches the housing to the wall structure. Mount positioning is fully variable along the modules to accommodate site conditions, spaced up to 4½" on center and within 12" of an end or joint.

Surface: Fixture is mounted flush to surface using hidden brackets at ends and joints.

Approvals

Certified to UL, CSA and IES standards.

Certain suspended indirect/direct versions are DesignLights Consortium® qualified. Please see the DLC QPL list for exact catalog numbers (www.designlights.org/QPL).

Warranty

Philips indoor professional luminaires 5 year LED warranty: www.philips.com/warranties.

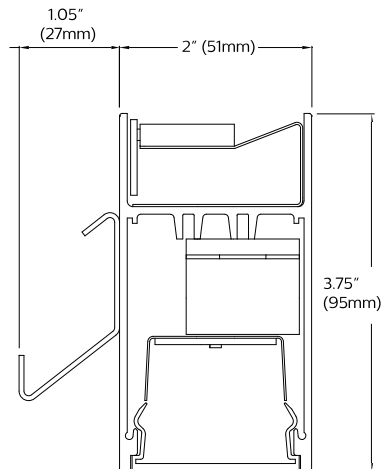
Environment

Rated for dry or damp locations in operating ambient temperatures 0-40°C (32-104°F). Certain luminaire components may be adversely affected by contaminants. Damage caused by sulfur, chlorine, petroleum based solutions or other contaminants in the area of operation are not covered under warranty. Not suitable for natatorium environments.

Due to continuing product improvements, Philips Ledalite reserves the right to change the specifications without notice.

Dimensions - Cross Section

Wall Direct/Indirect



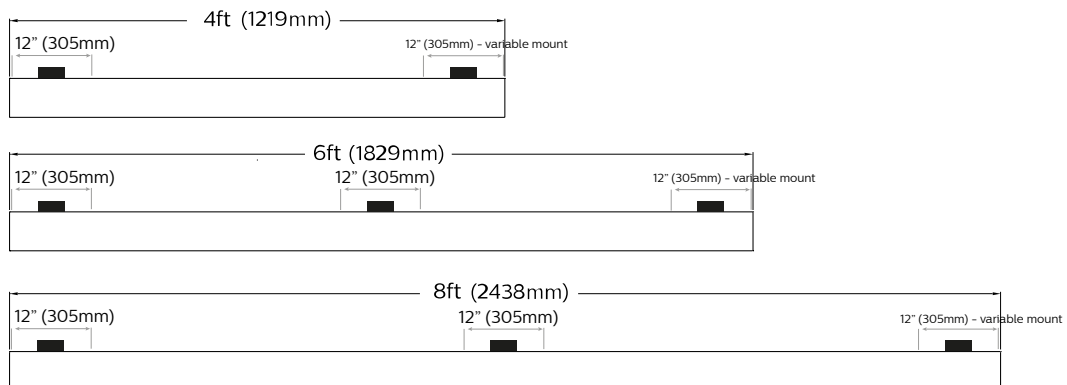
MicroSquare gen2 wall

5900 lm/4ft, Direct/Indirect Asym

3000/3500/4000K

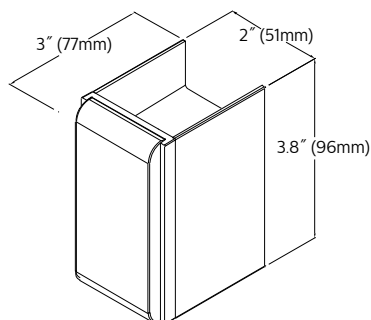
Dimensions - Modules

Wall Mount - Top view, no end caps

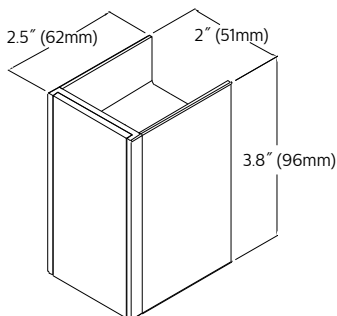


Optics and Styles

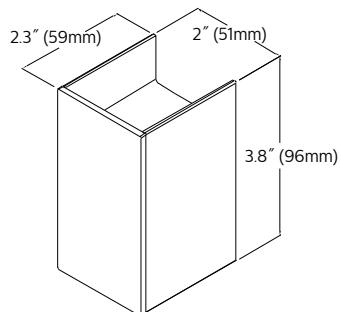
Endcap Details



Sculpted Black Acrylic



Flush Maple



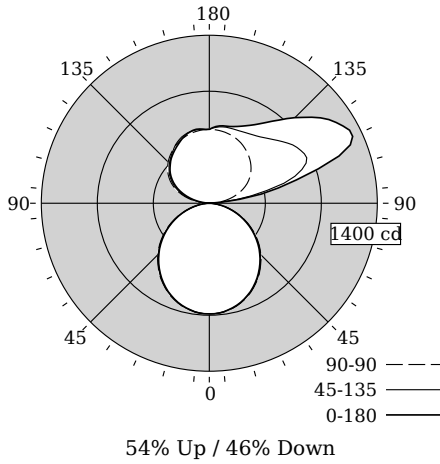
Solid Cube

MicroSquare gen2 wall

5900 lm/4ft, Direct/Indirect Asym

3000/3500/4000K

Photometry - 3500K



Candela Distribution

Vertical Angle	Horizontal Angle				Zonal Lumens
	0	45	90	135	
0	922	922	922	922	0
5	919	918	919	918	87
15	881	884	885	884	249
25	812	815	818	815	375
35	713	719	724	719	449
45	594	602	607	602	463
55	459	466	473	466	416
65	313	318	323	318	315
75	167	169	169	167	179
85	42	41	38	41	48
90	0	0	0	0	0
95	105	90	64	45	95
105	752	644	208	190	394
115	1318	896	329	313	571
125	1216	848	419	403	552
135	1009	751	485	470	474
145	821	685	536	530	382
155	712	657	576	588	285
165	662	649	601	617	178
175	642	635	614	617	60
180	616	616	616	616	0

Values per 4ft unit

Fixture photometry has been conducted in accordance with IESNA LM-79-08

IES files for this and other photometric options can be downloaded online at www.lightingproducts.philips.com

Coefficients of Utilization (%)

RCR	Ceiling											
	70	50	30	10	70	50	30	50	30	10	0	0
0	106	106	106	106	98	98	98	81	81	81	46	46
1	97	92	89	85	89	85	82	71	69	66	39	39
2	88	81	74	69	81	74	69	62	58	55	32	32
3	80	71	63	57	73	65	59	55	50	46	27	27
4	73	62	55	48	67	58	51	48	43	39	23	23
5	67	56	47	41	61	51	44	43	38	33	20	20
6	62	50	42	36	57	46	39	39	33	29	18	18
7	57	45	37	31	52	42	34	35	30	26	15	15
8	53	41	33	28	49	38	31	32	27	23	14	14
9	49	37	30	24	45	34	28	29	24	20	12	12
10	46	34	27	22	42	32	25	27	22	18	11	11

Avg. Luminance (cd/m2)

Vertical Angle	Horizontal Angle		
	0	90	180
55	13777	14197	13777
65	12751	13158	12751
75	11108	11242	11108
85	8296	7506	8296

Distribution

Hemisphere	54% Up / 46% Down
Spacing at 180 °	1.23

MicroSquare gen2 wall

5900 lm/4ft, Direct/Indirect Asym

3000/3500/4000K

Optical Performance

Nominal CCT:	3000K	3500K	4000K
Flux (lm)	5409	5571	5555
Efficacy (lm/W)	109.9	113.7	112.4
Power (W)	49.2	49.0	49.4
CCT (K)	3159	3558	4224
CRI	84	84	84
R9	10	9	14
x	0.4248	0.4022	0.3705
y	0.3973	0.3894	0.3684
Duv	-0.0010	0.0000	-0.0010

Electrical Performance - 3500K

Input Voltage	120V	277V	347V
Input Power	49.0W	48.2W	49.0W
Input Current	0.41A	0.18A	0.14A
Power Factor	0.999	0.977	0.981
Total Harm. Distortion	5.6%	9.4%	7.0%

Tested values . contact technical support for rated values. Off-state power zero unless certain controls are specified.

