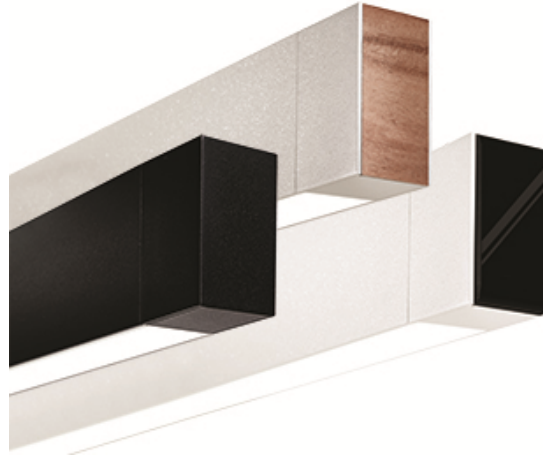




# Linear

## MicroSquare gen2 suspended

5900 lm/4ft, Indirect/Direct Asym  
3000/3500/4000K



Project: \_\_\_\_\_  
 Spec Type: \_\_\_\_\_  
 Catalog No: 2205LxBLW \_\_\_\_\_  
 Qty \_\_\_\_\_  
 Line Notes: \_\_\_\_\_

Philips Ledalite's MicroSquare gen2 has been re-engineered to furnish your space with the highest quality, discreet, narrow lines of continuous light. Elegant, low glare illumination with wide-throw upper and lower distributions improve visual comfort while allowing increased fixture spacing. This in turn, helps reduce initial and operating costs.

### Ordering guide

Product Type	Source	Color Temp *	Lumens *	Lower Optics	Upper Optics	Run Length	Wiring †	Voltage	Driver	Finish
2205	L		B	L	W					
MicroSquare II Suspended Indirect/ Direct	L LED	A 4000K B 3500K C 3000K	B 5900 lm/4ft (75% Up) C 4700 lm/4ft (70% Up) E 3100 lm/4ft (55% Up)	L Flush Silk Lens	W Asymmetric Wide-Throw Lens Q Symmetric Wide-Throw Lens	04 4' 06 6' 08 8' XX Total run length (4' increments)	7 1 cct Dimming G 2 cct Up/Dn Dimming K 2 cct Up/Dn Dimming + EM Wiring M 1 cct Dimming + EM Wiring	1 120V 2 277V 3 347V	E Philips Advance 0-10V (1% dim)	W Standard White T Titanium Silver B Black C Custom

\* Nominal values within a range. Consult photometry data for CRI, color temp, lumens & distribution of chosen configuration.

† Not all wiring types are available with all configurations. Consult Philips Ledalite for a complete list of available options.

### Mounting Hardware

**Mount Type**  
Consult separate mounting spec sheet for mount type options:  
**Ledalite Suspended Mounting Options**

**Suspension Length**  
Distance from ceiling to top of luminaire in inches

### Endcaps -



SC - Solid Cube  
(standard)



SB - Sculpted  
Black Acrylic



FM - Flush Maple



# MicroSquare gen2 suspended

5900 lm/4ft, Indirect/Direct Asym

3000/3500/4000K

## Optical System

**Upper hemisphere:** Light from a linear array of upward-facing LEDs is shaped into a homogeneous, wide-throw batwing distribution using either a freeform elliptical lens or an engineered light guide panel.

**Lower hemisphere:** Light from a linear array of downward-facing LEDs is diffused through a transmissive white engineered acrylic lens to deliver a highly uniform, luminous continuum without sacrificing efficacy.

## Endcaps

Cubic aluminum endcaps with an internal draw-tight connector to minimize the joint line.

Three styles available: solid cube, sculpted black acrylic insert or flush maple insert.

## Finish

Standard finish is a textured matte powder coat in white, black or titanium silver.

## Housing

Precision aluminum extrusion, post painted.

## Weight

Maximum: Surface & Suspended Direct or Indirect - 7.5 lb/4ft; Suspended D/I - 9.5 lb/4ft; Wall D/I - 13.8 lb/4ft

## Electrical

Factory pre-wired to section ends with quick-wire connectors.

## Standard Driver

Philips Advance Xitanium 0-10V, 1-100%. Class 2 rated output. Consult Philips Ledalite for other available drivers.

## Lumen Maintenance

LEDs have been tested by the manufacturer in accordance with IESNA LM-80-08. At an ambient temperature of 25°C, the LED lumen maintenance expectation according to IES TM-21-11 Reported methodology is:

L<sub>80</sub> (12k) >72,000 hrs.

## Source Color

LEDs rated for color rendering CRI >80, R9 >0 and fixture to fixture color accuracy within 2 SDCM.

## Mounting

**Suspended:** Tamper-resistant aircraft cable gripper provides unlimited vertical adjustment. Aircraft cable, crimp and cable gripper are independently tested to meet stringent safety requirements.

**Wall:** A hidden steel rail and bracket system attaches the housing to the wall structure. Mount positioning is fully variable along the modules to accommodate site conditions, spaced up to 4½" on center and within 12" of an end or joint.

**Surface:** Fixture is mounted flush to surface using hidden brackets at ends and joints.

## Approvals

Certified to UL, CSA and IES standards.

Certain suspended indirect/direct versions are DesignLights Consortium® qualified. Please see the DLC QPL list for exact catalog numbers ([www.designlights.org/QPL](http://www.designlights.org/QPL)).

## Warranty

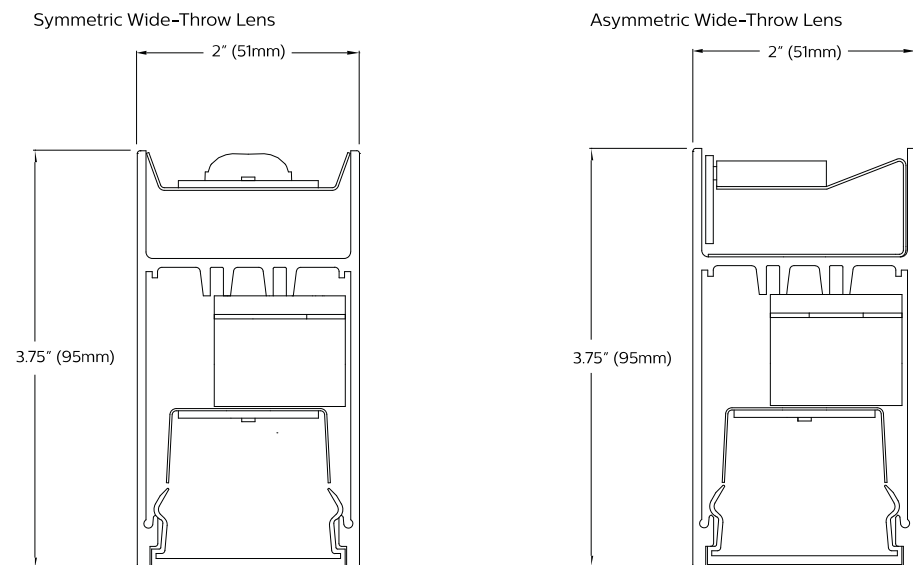
Philips indoor professional luminaires 5 year LED warranty: [www.philips.com/warranties](http://www.philips.com/warranties).

## Environment

Rated for dry or damp locations in operating ambient temperatures 0-40°C (32-104°F). Certain luminaire components may be adversely affected by contaminants. Damage caused by sulfur, chlorine, petroleum based solutions or other contaminants in the area of operation are not covered under warranty. Not suitable for natatorium environments.

Due to continuing product improvements, Philips Ledalite reserves the right to change the specifications without notice.

## Dimensions - Cross Section



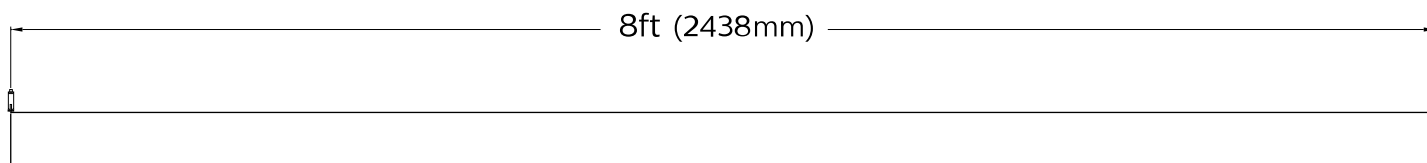
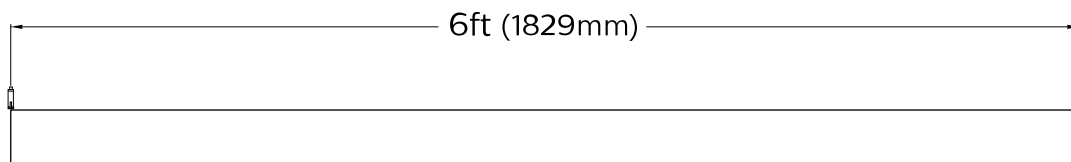
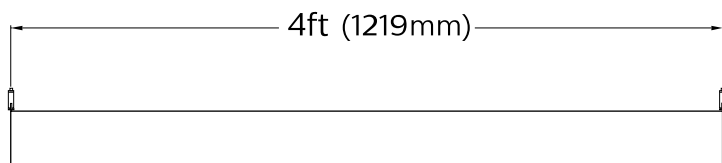
# MicroSquare gen2 suspended

5900 lm/4ft, Indirect/Direct Asym

3000/3500/4000K

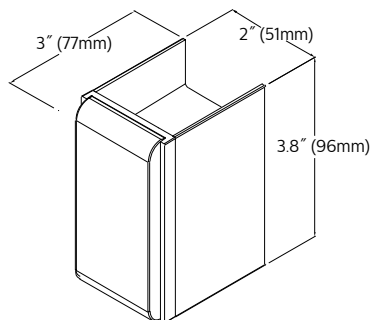
## Dimensions - Modules

Suspended - Side view, no end caps

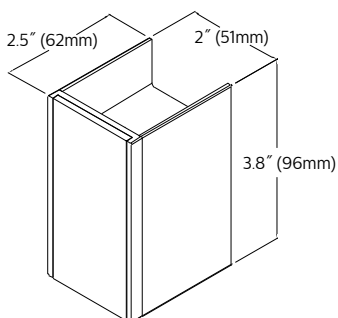


## Optics and Styles

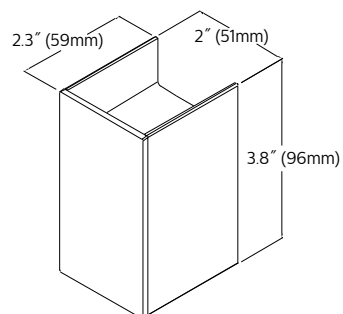
Endcap Details



Sculpted Black Acrylic



Flush Maple



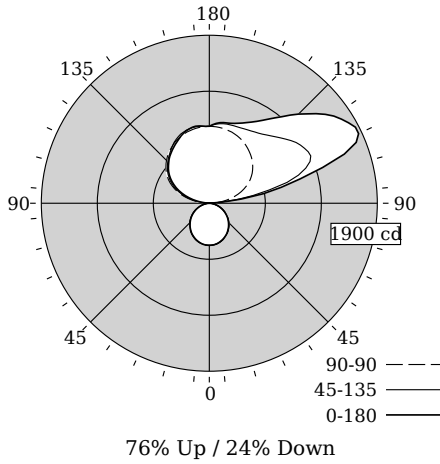
Solid Cube

# MicroSquare gen2 suspended

5900 lm/4ft, Indirect/Direct Asym

3000/3500/4000K

## Photometry @ CRI>80, 3500K



### Candela Distribution

Vertical Angle	Horizontal Angle				Zonal Lumens
	0	45	90	135	
0	476	476	476	476	476
5	474	474	474	474	474
15	454	456	457	456	454
25	418	420	422	420	418
35	368	372	374	372	368
45	307	311	314	311	307
55	238	241	244	241	238
65	164	166	169	166	164
75	89	89	89	89	89
85	20	19	16	19	20
90	0	0	0	0	0
95	149	127	91	64	40
105	1063	910	294	269	236
115	1863	1266	464	442	413
125	1719	1198	592	569	551
135	1426	1062	685	664	650
145	1161	968	757	749	732
155	1007	929	814	831	807
165	936	917	849	872	871
175	907	898	868	872	876
180	871	871	871	871	871

Values per 4ft unit

Fixture photometry has been conducted in accordance with IESNA LM-79-08

IES files for this and other photometric options can be downloaded online at [www.lightingproducts.philips.com](http://www.lightingproducts.philips.com)

### Coefficients of Utilization (%)

RCR	Ceiling										0	
	70	50	30	10	70	50	30	10	50	30		10
0	101	101	101	101	90	90	90	69	69	69	24	0
1	92	88	84	81	82	78	75	60	58	56	20	0
2	84	76	71	66	74	68	63	53	49	46	17	0
3	76	67	60	54	67	60	54	46	42	39	14	0
4	70	59	52	46	61	53	46	41	36	33	12	0
5	64	52	45	39	56	47	40	36	32	28	10	0
6	58	47	39	34	52	42	35	33	28	24	9	0
7	54	42	34	29	48	38	31	29	25	21	8	0
8	50	38	31	26	44	34	28	27	22	19	7	0
9	46	35	27	23	41	31	25	24	20	17	6	0
10	43	32	25	20	38	28	22	22	18	15	6	0

### Avg. Luminance (cd/m2)

Vertical Angle	Horizontal Angle		
	0	90	180
55	7144	7324	7144
65	6681	6884	6681
75	5920	5920	5920
85	3951	3161	3951

### Distribution

Hemisphere	76% Up / 24% Down
Peak/Zenith	2.14
Peak Output	1863 cd
Glare Control	Meets RP-1-12 recommendations for VDT-Critical spaces

# MicroSquare gen2 suspended

5900 lm/4ft, Indirect/Direct Asym

3000/3500/4000K

## Optical Performance @ 120V

Nominal Spec:	3000K	3500K	4000K
Flux (lm)	5397	5560	5538
Efficacy (lm/W)	109.5	113.2	111.9
Power (W)	49.3	49.1	49.5
CCT (K)	3159	3558	4224
CRI	84	84	84
R9	10	9	14
x	0.4248	0.4022	0.3705
y	0.3973	0.3894	0.3684
Duv	-0.0010	0.0000	-0.0010

## Electrical Performance @ CRI>80, 3500K

Input Voltage	120V	277V	347V
Input Power	49.1W	48.9W	51.0W
Input Current	0.41A	0.18A	0.15A
Power Factor	0.994	0.962	0.964
Total Harm. Distortion	6.9%	11.3%	10.0%

Tested values – contact technical support for rated values. Off-state power zero unless certain controls are specified.

