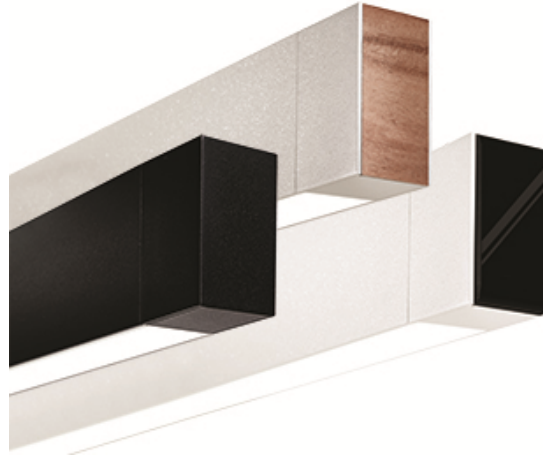




# Linear

## MicroSquare gen2 suspended

5900 lm/4ft, Indirect/Direct Sym  
3000/3500/4000K



Project: \_\_\_\_\_  
Spec Type: \_\_\_\_\_  
Catalog No: 2205LxBLQ \_\_\_\_\_  
Qty \_\_\_\_\_  
Line Notes: \_\_\_\_\_

Philips Ledalite's MicroSquare gen2 has been re-engineered to furnish your space with the highest quality, discreet, narrow lines of continuous light. Elegant, low glare illumination with wide-throw upper and lower distributions improve visual comfort while allowing increased fixture spacing. This in turn, helps reduce initial and operating costs.

### Ordering guide

Product Type	Source	Color Temp *	Lumens *	Lower Optics	Upper Optics	Run Length	Wiring †	Voltage	Driver	Finish
2205	L		B	L	Q					
MicroSquare II Suspended Indirect/ Direct	L LED	A 4000K B 3500K C 3000K	B 5900 lm/4ft (75% Up) C 4700 lm/4ft (70% Up) E 3100 lm/4ft (55% Up)	L Flush Silk Lens	WAsymmetric Wide-Throw Lens Q Symmetric Wide-Throw Lens	04 4' 06 6' 08 8' XX Total run length (4' increments)	7 1 cct Dimming G 2 cct Up/Dn Dimming K 2 cct Up/Dn Dimming + EM Wiring M 1 cct Dimming + EM Wiring	1 120V 2 277V 3 347V	E Philips Advance 0-10V (1% dim)	W Standard White T Titanium Silver B Black C Custom

\* Nominal values within a range. Consult photometry data for CRI, color temp, lumens & distribution of chosen configuration.

† Not all wiring types are available with all configurations. Consult Philips Ledalite for a complete list of available options.

### Mounting Hardware

**Mount Type**  
Consult separate mounting spec sheet for mount type options:  
**Ledalite Suspended Mounting Options**

**Suspension Length**  
Distance from ceiling to top of luminaire in inches

### Endcaps -



SC - Solid Cube (standard)  
SB - Sculpted Black Acrylic  
FM - Flush Maple



# MicroSquare gen2 suspended

5900 lm/4ft, Indirect/Direct Sym

3000/3500/4000K

## Optical System

**Upper hemisphere:** Light from a linear array of upward-facing LEDs is shaped into a homogeneous, wide-throw batwing distribution using either a freeform elliptical lens or an engineered light guide panel.

**Lower hemisphere:** Light from a linear array of downward-facing LEDs is diffused through a transmissive white engineered acrylic lens to deliver a highly uniform, luminous continuum without sacrificing efficacy.

## Endcaps

Cubic aluminum endcaps with an internal draw-tight connector to minimize the joint line.

Three styles available: solid cube, sculpted black acrylic insert or flush maple insert.

## Finish

Standard finish is a textured matte powder coat in white, black or titanium silver.

## Housing

Precision aluminum extrusion, post painted.

## Weight

Maximum: Surface & Suspended Direct or Indirect - 7.5 lb/4ft; Suspended D/I - 9.5 lb/4ft; Wall D/I - 13.8 lb/4ft

## Electrical

Factory pre-wired to section ends with quick-wire connectors.

## Standard Driver

Philips Advance Xitanium 0-10V, 1-100%. Class 2 rated output. Consult Philips Ledalite for other available drivers.

## Lumen Maintenance

LEDs have been tested by the manufacturer in accordance with IESNA LM-80-08. At an ambient temperature of 25°C, the LED lumen maintenance expectation according to IES TM-21-11 Reported methodology is:

L<sub>80</sub> (12k) >72,000 hrs.

## Source Color

LEDs rated for color rendering CRI >80, R9 >0 and fixture to fixture color accuracy within 2 SDCM.

## Mounting

**Suspended:** Tamper-resistant aircraft cable gripper provides unlimited vertical adjustment. Aircraft cable, crimp and cable gripper are independently tested to meet stringent safety requirements.

**Wall:** A hidden steel rail and bracket system attaches the housing to the wall structure. Mount positioning is fully variable along the modules to accommodate site conditions, spaced up to 4½" on center and within 12" of an end or joint.

**Surface:** Fixture is mounted flush to surface using hidden brackets at ends and joints.

## Approvals

Certified to UL, CSA and IES standards.

Certain suspended indirect/direct versions are DesignLights Consortium® qualified. Please see the DLC QPL list for exact catalog numbers ([www.designlights.org/QPL](http://www.designlights.org/QPL)).

## Warranty

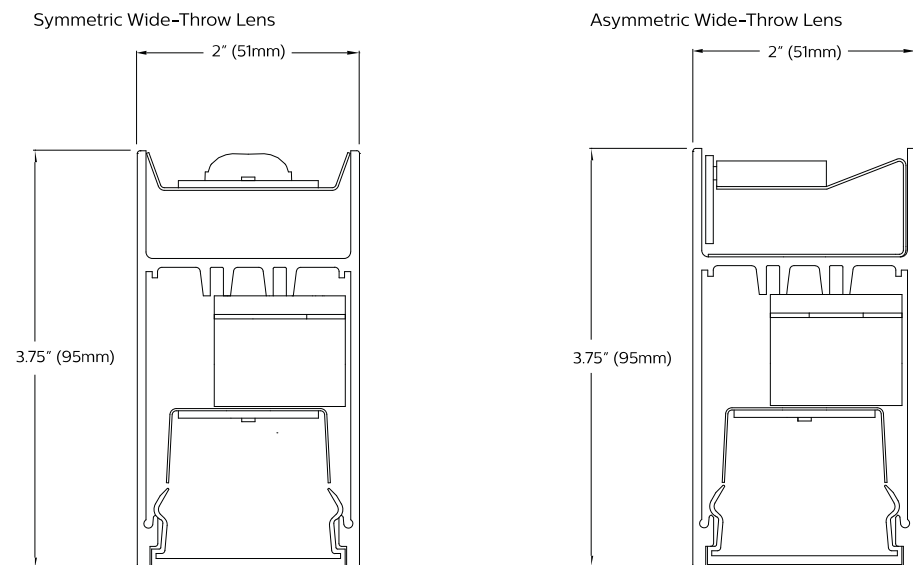
Philips indoor professional luminaires 5 year LED warranty: [www.philips.com/warranties](http://www.philips.com/warranties).

## Environment

Rated for dry or damp locations in operating ambient temperatures 0-40°C (32-104°F). Certain luminaire components may be adversely affected by contaminants. Damage caused by sulfur, chlorine, petroleum based solutions or other contaminants in the area of operation are not covered under warranty. Not suitable for natatorium environments.

Due to continuing product improvements, Philips Ledalite reserves the right to change the specifications without notice.

## Dimensions - Cross Section



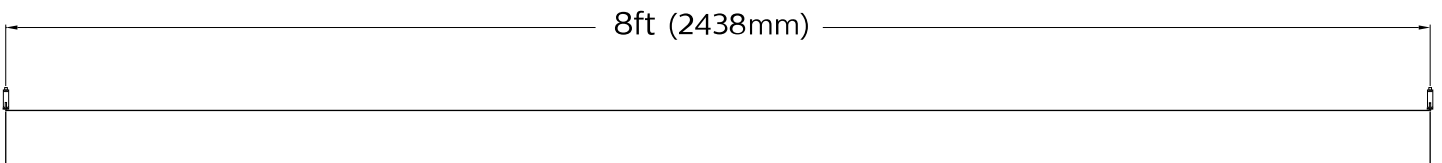
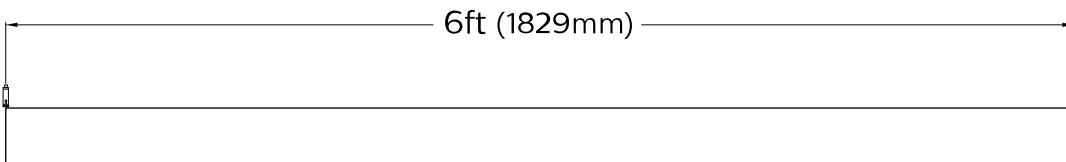
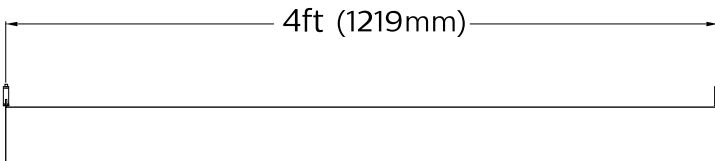
# MicroSquare gen2 suspended

5900 lm/4ft, Indirect/Direct Sym

3000/3500/4000K

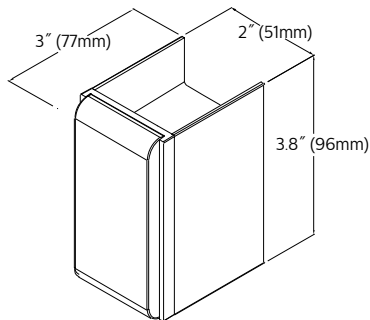
## Dimensions - Modules

Suspended - Side view, no end caps

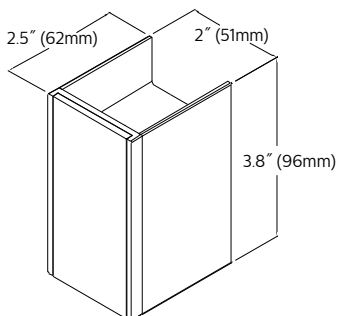


## Optics and Styles

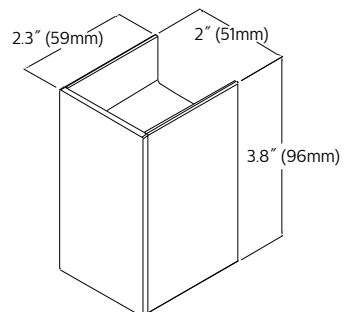
Endcap Details



Sculpted Black Acrylic



Flush Maple



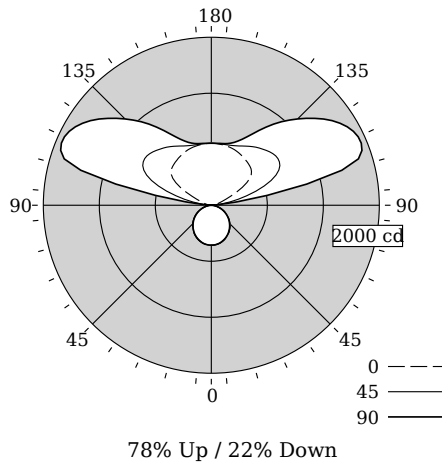
Solid Cube

# MicroSquare gen2 suspended

5900 lm/4ft, Indirect/Direct Sym

3000/3500/4000K

## Photometry @ CRI>80, 3500K



### Candela Distribution

Vertical Angle	Horizontal Angle				Zonal Lumens
	0	22.5	45	67.5	
0	476	476	476	476	0
5	474	474	474	474	45
15	457	455	456	456	129
25	422	419	420	420	193
35	374	370	372	370	232
45	314	310	311	308	239
55	244	241	241	239	215
65	169	166	166	164	163
75	89	89	89	89	94
85	16	18	19	20	23
90	0	0	0	0	0
95	22	43	60	84	96
105	85	137	436	1227	1609
115	253	372	850	1559	1929
125	560	651	968	1491	1756
135	652	711	924	1272	1453
145	684	720	852	1036	1135
155	711	725	779	839	866
165	727	729	744	756	760
175	736	736	739	739	740
180	739	739	739	739	739

Values per 4ft unit

Fixture photometry has been conducted in accordance with IESNA LM-79-08

IES files for this and other photometric options can be downloaded online at [www.lightingproducts.philips.com](http://www.lightingproducts.philips.com)

### Coefficients of Utilization (%)

RCR	Ceiling										0	
	70	50	30	10	70	50	30	10	70	50		30
0	101	101	101	101	89	89	89	68	68	68	22	0
1	92	87	84	80	81	78	75	59	57	55	19	0
2	83	76	70	65	74	68	63	52	49	46	16	0
3	76	67	60	54	67	59	54	46	42	38	13	0
4	69	59	51	46	61	52	46	40	36	32	11	0
5	63	52	45	39	56	47	40	36	31	28	10	0
6	58	47	39	33	51	42	35	32	27	24	8	0
7	54	42	34	29	47	37	31	29	24	21	7	0
8	50	38	30	25	44	34	27	26	22	18	7	0
9	46	34	27	22	41	31	25	24	19	16	6	0
10	43	31	24	20	38	28	22	22	18	15	5	0

### Avg. Luminance (cd/m2)

Vertical Angle	Horizontal Angle		
	0	45	90
55	7327	7234	7142
65	6881	6755	6671
75	5892	5892	5892
85	3255	3662	3866

### Distribution

Hemisphere	78% Up / 22% Down
Peak/Zenith	2.62
Peak Output	1932 cd
Glare Control	Meets RP-1-12 recommendations for VDT-Critical spaces

Philips Ledalite

**LED lighting facts**  
A Program of the U.S. DOE

---

**Light Output (Lumens)** **5963**

**Watts** **49.1**

**Lumens per Watt (Efficacy)** **121.45**

---

**Color Accuracy** **84**

Color Rendering Index (CRI)

---

**Light Color** **3558 (Bright White)**

Correlated Color Temperature (CCT)

2700K    3000K    4500K    6500K

---

All results are according to IESNA LM-79-2008: Approved Method for the Electrical and Photometric Testing of Solid-State Lighting. The U.S. Department of Energy (DOE) verifies product test data and results.

Visit [www.lightingfacts.com](http://www.lightingfacts.com) for the Label Reference Guide.

Registration Number: F46Z-6V2QUE (3/7/2017)  
Model Number: 22x5LBBLQ  
Type: Luminaire - Linear

# MicroSquare gen2 suspended

5900 lm/4ft, Indirect/Direct Sym

3000/3500/4000K

## Optical Performance @ 120V

Nominal Spec:	3000K	3500K	4000K
Flux (lm)	5790	5963	5940
Efficacy (lm/W)	117.4	121.4	120.0
Power (W)	49.3	49.1	49.5
CCT (K)	3159	3558	4224
CRI	84	84	84
R9	10	9	14
x	0.4248	0.4022	0.3705
y	0.3973	0.3894	0.3684
Duv	-0.0010	0.0000	-0.0010

## Electrical Performance @ CRI>80, 3500K

Input Voltage	120V	277V	347V
Input Power	49.1W	48.9W	51.0W
Input Current	0.41A	0.18A	0.15A
Power Factor	0.994	0.962	0.964
Total Harm. Distortion	6.9%	11.3%	10.0%

Tested values – contact technical support for rated values. Off-state power zero unless certain controls are specified.

