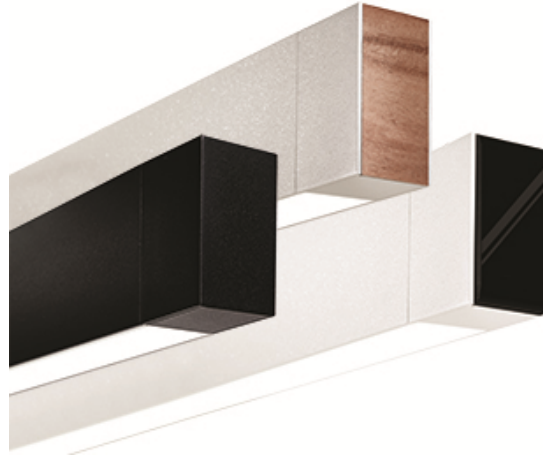




Linear

MicroSquare gen2 suspended

4700 lm/4ft, Indirect/Direct Asym
3000/3500/4000K



Project: _____
 Spec Type: _____
 Catalog No: 2205LxCLW _____
 Qty _____
 Line Notes: _____

Philips Ledalite's MicroSquare gen2 has been re-engineered to furnish your space with the highest quality, discreet, narrow lines of continuous light. Elegant, low glare illumination with wide-throw upper and lower distributions improve visual comfort while allowing increased fixture spacing. This in turn, helps reduce initial and operating costs.

Ordering guide

Product Type	Source	Color Temp *	Lumens *	Lower Optics	Upper Optics	Run Length	Wiring †	Voltage	Driver	Finish
2205	L		C	L	W					
MicroSquare II Suspended Indirect/ Direct	L LED	A 4000K B 3500K C 3000K	B 5900 lm/4ft (75% Up) C 4700 lm/4ft (70% Up) E 3100 lm/4ft (55% Up)	L Flush Silk Lens	W Asymmetric Wide-Throw Lens Q Symmetric Wide-Throw Lens	04 4' 06 6' 08 8' XX Total run length (4' increments)	7 1 cct Dimming G 2 cct Up/Dn Dimming K 2 cct Up/Dn Dimming + EM Wiring M 1 cct Dimming + EM Wiring	1 120V 2 277V 3 347V	E Philips Advance 0-10V (1% dim)	W Standard White T Titanium Silver B Black C Custom

* Nominal values within a range. Consult photometry data for CRI, color temp, lumens & distribution of chosen configuration.

† Not all wiring types are available with all configurations. Consult Philips Ledalite for a complete list of available options.

Mounting Hardware

Mount Type
Consult separate mounting spec sheet for mount type options:
Ledalite Suspended Mounting Options

Suspension Length
Distance from ceiling to top of luminaire in inches

Endcaps -



SC - Solid Cube
(standard)

SB - Sculpted
Black Acrylic

FM - Flush Maple



MicroSquare gen2 suspended

4700 lm/4ft, Indirect/Direct Asym

3000/3500/4000K

Optical System

Upper hemisphere: Light from a linear array of upward-facing LEDs is shaped into a homogeneous, wide-throw batwing distribution using either a freeform elliptical lens or an engineered light guide panel.

Lower hemisphere: Light from a linear array of downward-facing LEDs is diffused through a transmissive white engineered acrylic lens to deliver a highly uniform, luminous continuum without sacrificing efficacy.

Endcaps

Cubic aluminum endcaps with an internal draw-tight connector to minimize the joint line.

Three styles available: solid cube, sculpted black acrylic insert or flush maple insert.

Finish

Standard finish is a textured matte powder coat in white, black or titanium silver.

Housing

Precision aluminum extrusion, post painted.

Weight

Maximum: Surface & Suspended Direct or Indirect - 7.5 lb/4ft; Suspended D/I - 9.5 lb/4ft; Wall D/I - 13.8 lb/4ft

Electrical

Factory pre-wired to section ends with quick-wire connectors.

Standard Driver

Philips Advance Xitanium 0-10V, 1-100%. Class 2 rated output. Consult Philips Ledalite for other available drivers.

Lumen Maintenance

LEDs have been tested by the manufacturer in accordance with IESNA LM-80-08. At an ambient temperature of 25°C, the LED lumen maintenance expectation according to IES TM-21-11 Reported methodology is:

L₈₀ (12k) >72,000 hrs.

Source Color

LEDs rated for color rendering CRI >80, R9 >0 and fixture to fixture color accuracy within 2 SDCM.

Mounting

Suspended: Tamper-resistant aircraft cable gripper provides unlimited vertical adjustment. Aircraft cable, crimp and cable gripper are independently tested to meet stringent safety requirements.

Wall: A hidden steel rail and bracket system attaches the housing to the wall structure. Mount positioning is fully variable along the modules to accommodate site conditions, spaced up to 4½' on center and within 12" of an end or joint.

Surface: Fixture is mounted flush to surface using hidden brackets at ends and joints.

Approvals

Certified to UL, CSA and IES standards.

Certain suspended indirect/direct versions are

DesignLights Consortium® qualified. Please see the DLC

QPL list for exact catalog numbers

(www.designlights.org/QPL).

Warranty

Philips indoor professional luminaires 5 year LED

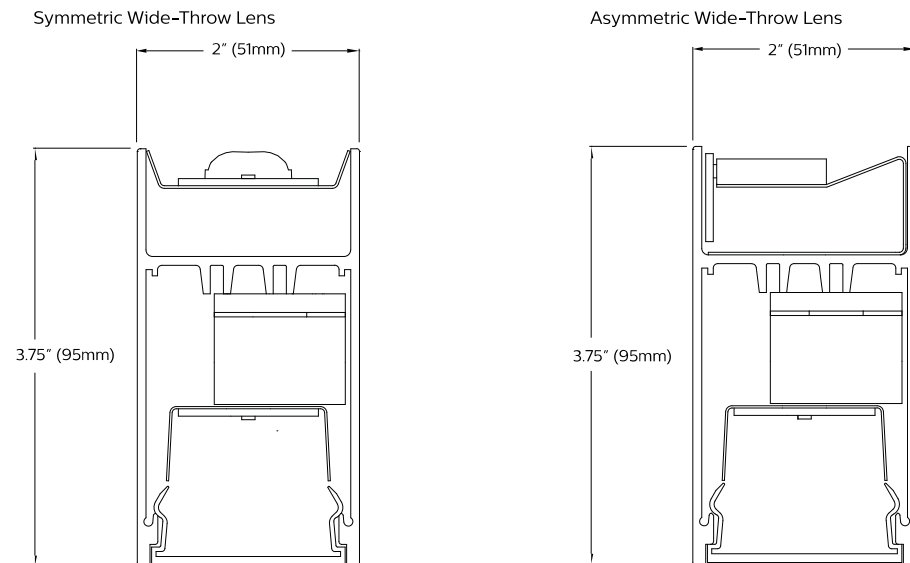
warranty: www.philips.com/warranties.

Environment

Rated for dry or damp locations in operating ambient temperatures 0-40°C (32-104°F). Certain luminaire components may be adversely affected by contaminants. Damage caused by sulfur, chlorine, petroleum based solutions or other contaminants in the area of operation are not covered under warranty. Not suitable for natatorium environments.

Due to continuing product improvements, Philips Ledalite reserves the right to change the specifications without notice.

Dimensions - Cross Section



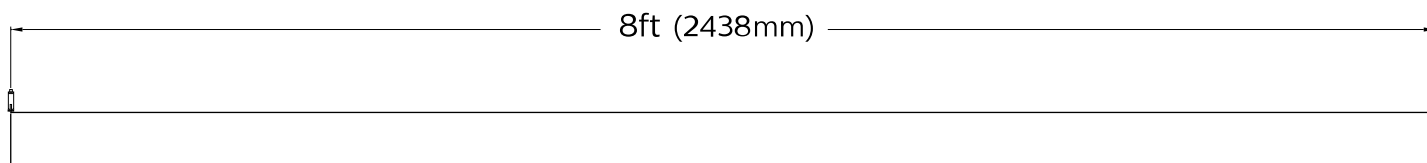
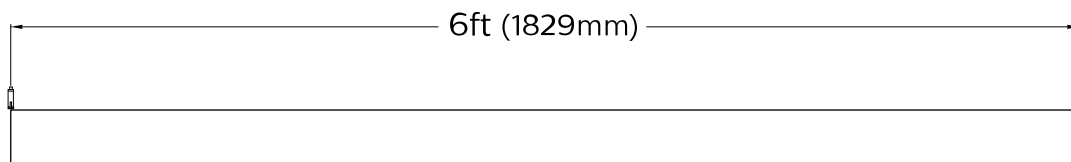
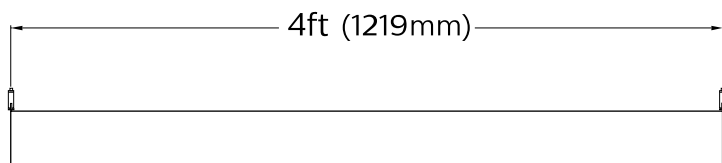
MicroSquare gen2 suspended

4700 lm/4ft, Indirect/Direct Asym

3000/3500/4000K

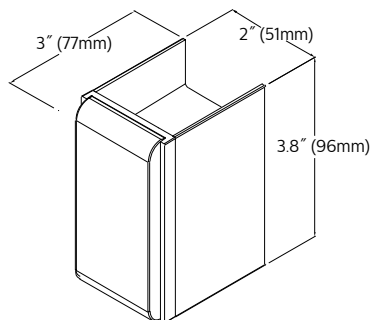
Dimensions - Modules

Suspended - Side view, no end caps

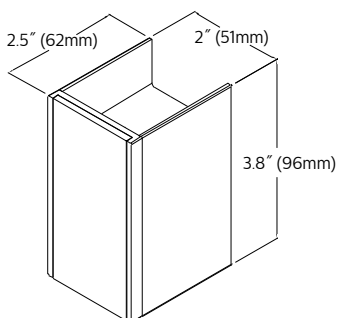


Optics and Styles

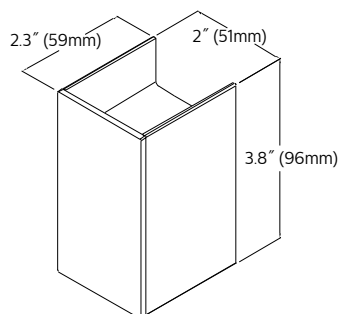
Endcap Details



Sculpted Black Acrylic



Flush Maple



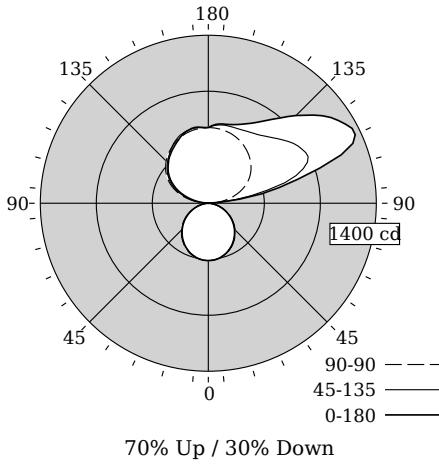
Solid Cube

MicroSquare gen2 suspended

4700 lm/4ft, Indirect/Direct Asym

3000/3500/4000K

Photometry @ CRI>80, 3500K



Candela Distribution

Vertical Angle	Horizontal Angle					Zonal Lumens
	0	45	90	135	180	
0	478	478	478	478	478	0
5	476	476	476	476	476	45
15	456	457	458	457	456	129
25	420	421	424	421	420	194
35	370	372	376	372	370	232
45	308	312	315	312	308	240
55	239	242	245	242	239	216
65	163	166	168	166	163	163
75	88	89	89	89	88	93
85	22	22	21	22	22	25
90	0	0	0	0	0	0
95	108	92	66	46	29	97
105	771	660	214	195	171	404
115	1351	918	337	320	300	585
125	1246	868	429	413	399	565
135	1034	770	497	481	471	486
145	842	702	549	543	531	392
155	730	673	590	603	585	293
165	679	665	616	632	631	182
175	658	651	629	632	635	61
180	631	631	631	631	631	0

Values per 4ft unit

Fixture photometry has been conducted in accordance with IESNA LM-79-08

IES files for this and other photometric options can be downloaded online at www.lightingproducts.philips.com

Coefficients of Utilization (%)

RCR	Ceiling										
	70	50	30	10	70	50	30	50	30	10	0
0	102	102	102	102	92	92	92	72	72	72	30
1	93	89	85	82	84	80	77	63	61	59	25
2	85	78	72	67	76	70	65	55	52	49	21
3	77	68	61	55	69	61	55	49	44	41	18
4	71	60	52	47	63	54	48	43	38	35	15
5	65	53	45	40	58	48	41	38	33	30	13
6	59	48	40	34	53	43	36	34	29	26	11
7	55	43	35	30	49	39	32	31	26	22	10
8	51	39	31	26	45	35	29	28	23	20	9
9	47	35	28	23	42	32	26	26	21	18	8
10	44	32	25	21	39	29	23	24	19	16	7

Avg. Luminance (cd/m2)

Vertical Angle	Horizontal Angle		
	0	90	180
55	7174	7354	7174
65	6640	6844	6640
75	5854	5920	5854
85	4346	4148	4346

Distribution

Hemisphere	70% Up / 30% Down
Peak/Zenith	2.14
Peak Output	1351 cd
Glare Control	Meets RP-1-12 recommendations for VDT-Critical spaces

MicroSquare gen2 suspended

4700 lm/4ft, Indirect/Direct Asym

3000/3500/4000K

Optical Performance @ 120V

Nominal Spec:	3000K	3500K	4000K
Flux (lm)	4274	4403	4389
Efficacy (lm/W)	111.0	114.7	113.4
Power (W)	38.5	38.4	38.7
CCT (K)	3159	3558	4224
CRI	84	84	84
R9	10	9	14
x	0.4248	0.4022	0.3705
y	0.3973	0.3894	0.3684
Duv	-0.0010	0.0000	-0.0010

Electrical Performance @ CRI>80, 3500K

Input Voltage	120V	277V	347V
Input Power	38.4W	38.4W	39.8W
Input Current	0.32A	0.15A	0.12A
Power Factor	0.991	0.948	0.946
Total Harm. Distortion	9.8%	13.7%	13.0%

Tested values – contact technical support for rated values. Off-state power zero unless certain controls are specified.

