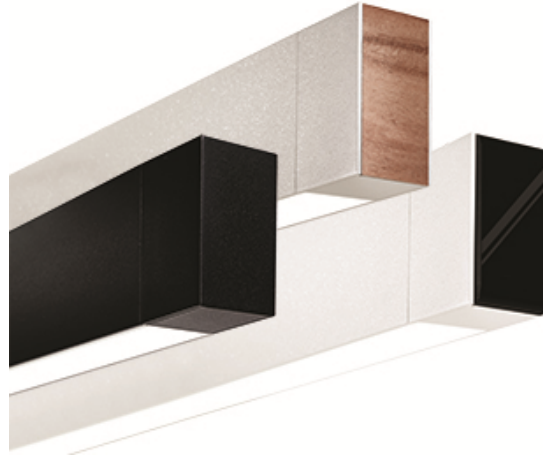




Linear

MicroSquare gen2 suspended

3100 lm/4ft, Indirect/Direct Sym
3000/3500/4000K



Project: _____
Spec Type: _____
Catalog No: 2205LxELQ _____
Qty _____
Line Notes: _____

Philips Ledalite's MicroSquare gen2 has been re-engineered to furnish your space with the highest quality, discreet, narrow lines of continuous light. Elegant, low glare illumination with wide-throw upper and lower distributions improve visual comfort while allowing increased fixture spacing. This in turn, helps reduce initial and operating costs.

Ordering guide

Product Type	Source	Color Temp *	Lumens *	Lower Optics	Upper Optics	Run Length	Wiring †	Voltage	Driver	Finish
2205	L		E	L	Q					
MicroSquare II Suspended Indirect/ Direct	L LED	A 4000K B 3500K C 3000K	B 5900 lm/4ft (75% Up) C 4700 lm/4ft (70% Up) E 3100 lm/4ft (55% Up)	L Flush Silk Lens	WAsymmetric Wide-Throw Lens Q Symmetric Wide-Throw Lens	04 4' 06 6' 08 8' XX Total run length (4' increments)	7 1 cct Dimming G 2 cct Up/Dn Dimming K 2 cct Up/Dn Dimming + EM Wiring M 1 cct Dimming + EM Wiring	1 120V 2 277V 3 347V	E Philips Advance 0-10V (1% dim)	W Standard White T Titanium Silver B Black C Custom

* Nominal values within a range. Consult photometry data for CRI, color temp, lumens & distribution of chosen configuration.

† Not all wiring types are available with all configurations. Consult Philips Ledalite for a complete list of available options.

Mounting Hardware

Mount Type
Consult separate mounting spec sheet for mount type options:
Ledalite Suspended Mounting Options

Suspension Length
Distance from ceiling to top of luminaire in inches

Endcaps -



SC - Solid Cube
(standard)



SB - Sculpted
Black Acrylic



FM - Flush Maple



MicroSquare gen2 suspended

3100 lm/4ft, Indirect/Direct Sym

3000/3500/4000K

Optical System

Upper hemisphere: Light from a linear array of upward-facing LEDs is shaped into a homogeneous, wide-throw batwing distribution using either a freeform elliptical lens or an engineered light guide panel.

Lower hemisphere: Light from a linear array of downward-facing LEDs is diffused through a transmissive white engineered acrylic lens to deliver a highly uniform, luminous continuum without sacrificing efficacy.

Endcaps

Cubic aluminum endcaps with an internal draw-tight connector to minimize the joint line.

Three styles available: solid cube, sculpted black acrylic insert or flush maple insert.

Finish

Standard finish is a textured matte powder coat in white, black or titanium silver.

Housing

Precision aluminum extrusion, post painted.

Weight

Maximum: Surface & Suspended Direct or Indirect - 7.5 lb/4ft; Suspended D/I - 9.5 lb/4ft; Wall D/I - 13.8 lb/4ft

Electrical

Factory pre-wired to section ends with quick-wire connectors.

Standard Driver

Philips Advance Xitanium 0-10V, 1-100%. Class 2 rated output. Consult Philips Ledalite for other available drivers.

Lumen Maintenance

LEDs have been tested by the manufacturer in accordance with IESNA LM-80-08. At an ambient temperature of 25°C, the LED lumen maintenance expectation according to IES TM-21-11 Reported methodology is:

L₈₀ (12k) >72,000 hrs.

Source Color

LEDs rated for color rendering CRI >80, R9 >0 and fixture to fixture color accuracy within 2 SDCM.

Mounting

Suspended: Tamper-resistant aircraft cable gripper provides unlimited vertical adjustment. Aircraft cable, crimp and cable gripper are independently tested to meet stringent safety requirements.

Wall: A hidden steel rail and bracket system attaches the housing to the wall structure. Mount positioning is fully variable along the modules to accommodate site conditions, spaced up to 4½" on center and within 12" of an end or joint.

Surface: Fixture is mounted flush to surface using hidden brackets at ends and joints.

Approvals

Certified to UL, CSA and IES standards.

Certain suspended indirect/direct versions are DesignLights Consortium® qualified. Please see the DLC QPL list for exact catalog numbers (www.designlights.org/QPL).

Warranty

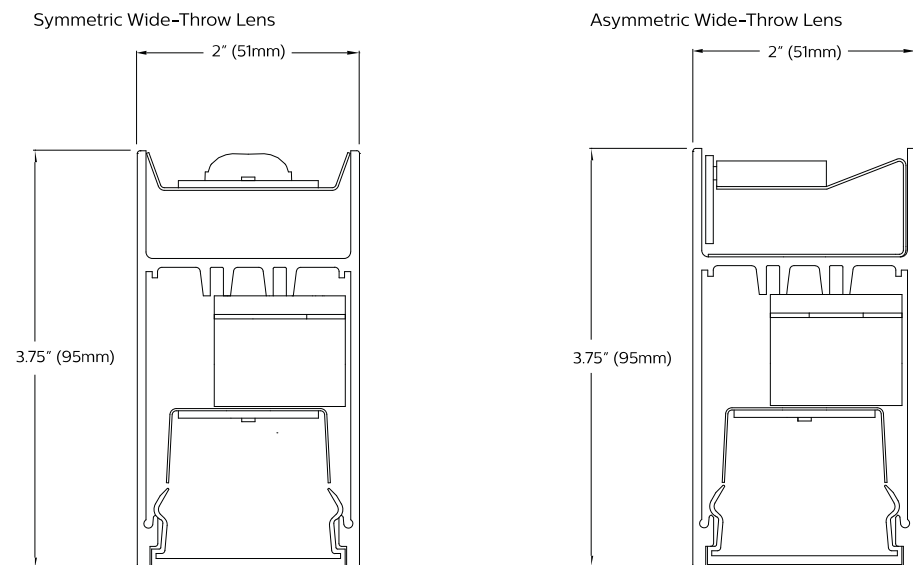
Philips indoor professional luminaires 5 year LED warranty: www.philips.com/warranties.

Environment

Rated for dry or damp locations in operating ambient temperatures 0-40°C (32-104°F). Certain luminaire components may be adversely affected by contaminants. Damage caused by sulfur, chlorine, petroleum based solutions or other contaminants in the area of operation are not covered under warranty. Not suitable for natatorium environments.

Due to continuing product improvements, Philips Ledalite reserves the right to change the specifications without notice.

Dimensions - Cross Section



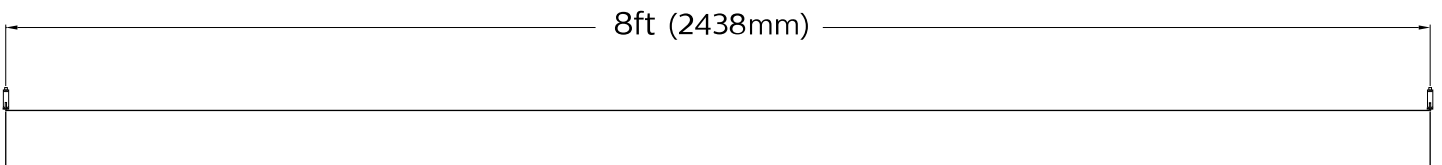
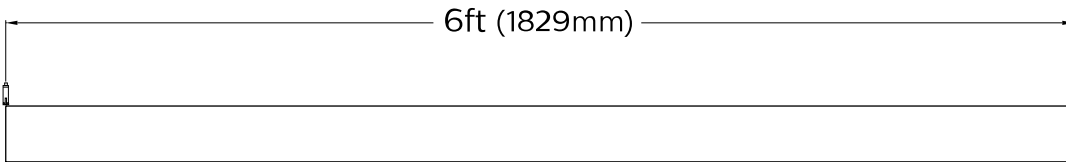
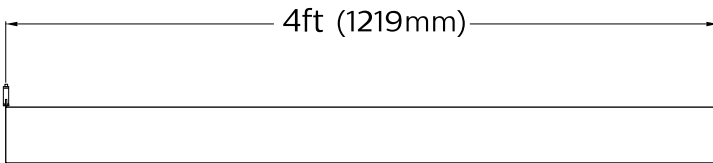
MicroSquare gen2 suspended

3100 lm/4ft, Indirect/Direct Sym

3000/3500/4000K

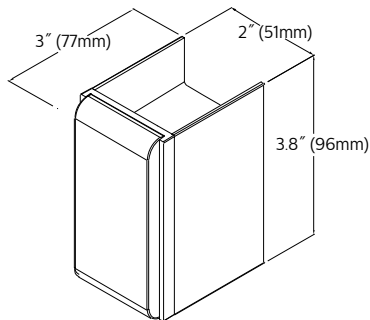
Dimensions - Modules

Suspended - Side view, no end caps

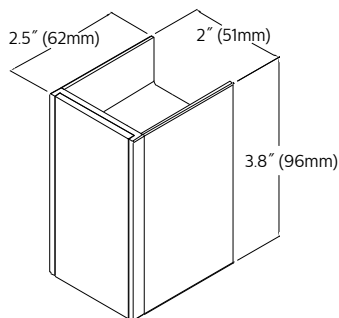


Optics and Styles

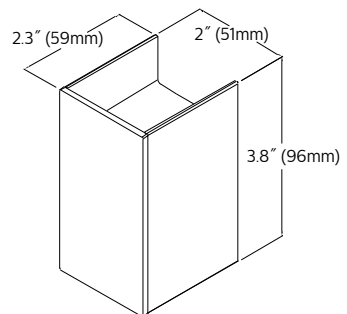
Endcap Details



Sculpted Black Acrylic



Flush Maple



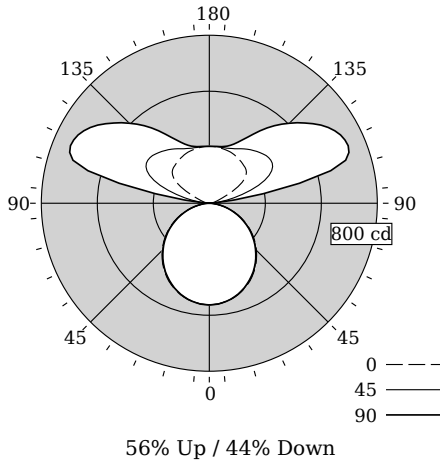
Solid Cube

MicroSquare gen2 suspended

3100 lm/4ft, Indirect/Direct Sym

3000/3500/4000K

Photometry @ CRI>80, 3500K



Candela Distribution

Vertical Angle	Horizontal Angle				Zonal Lumens	
	0	22.5	45	67.5		
0	484	484	484	484	0	
5	482	482	481	481	46	
15	464	461	462	462	130	
25	428	424	426	426	196	
35	379	375	376	375	235	
45	317	314	315	312	242	
55	247	244	244	241	217	
65	170	167	167	165	165	
75	90	89	89	89	94	
85	20	21	21	22	25	
90	0	0	0	0	0	
95	8	16	23	33	40	
105	31	50	162	455	598	245
115	94	137	314	576	713	352
125	206	240	357	550	649	350
135	241	262	341	471	539	283
145	251	265	314	383	421	205
155	262	267	286	309	320	134
165	267	268	274	278	280	78
175	271	271	271	272	272	26
180	271	271	271	271	271	0

Values per 4ft unit

Fixture photometry has been conducted in accordance with IESNA LM-79-08

IES files for this and other photometric options can be downloaded online at www.lightingproducts.philips.com

Coefficients of Utilization (%)

RCR	Ceiling		80		70		50		0		
	70	50	30	10	70	50	30	10	0	0	
0	106	106	106	106	97	97	97	80	80	80	44
1	96	92	88	85	88	84	81	70	68	65	37
2	88	80	74	69	80	74	68	61	57	54	31
3	80	70	63	57	73	65	58	54	49	45	26
4	73	62	54	48	66	57	50	48	42	38	22
5	67	55	47	41	61	51	44	43	37	33	19
6	62	49	41	36	56	46	38	38	33	29	17
7	57	45	37	31	52	41	34	35	29	25	15
8	53	40	33	27	48	37	30	32	26	22	13
9	49	37	29	24	45	34	27	29	24	20	12
10	46	34	27	22	42	31	25	27	21	18	11

Avg. Luminance (cd/m2)

Vertical Angle	Horizontal Angle		
	0	45	90
55	7420	7327	7324
65	6923	6797	6713
75	5961	5892	5892
85	3866	4069	4273

Distribution

Hemisphere	56% Up / 44% Down
Glare Control	Meets RP-1-12 recommendations for VDT-Critical spaces

Philips Ledalite

LED lighting facts
A Program of the U.S. DOE

Light Output (Lumens) **3063**
Watts **24.5**
Lumens per Watt (Efficacy) **125.02**

Color Accuracy **84**
Color Rendering Index (CRI)

Light Color **3487 (Bright White)**
Correlated Color Temperature (CCT)

2700K 3000K 4500K 6500K

All results are according to IESNA LM-79-2008: Approved Method for the Electrical and Photometric Testing of Solid-State Lighting. The U.S. Department of Energy (DOE) verifies product test data and results.

Visit www.lightingfacts.com for the Label Reference Guide.

Registration Number: F46Z-BN7OSX (3/7/2017)
Model Number: 22x5LBELQ
Type: Luminaire - Linear

MicroSquare gen2 suspended

3100 lm/4ft, Indirect/Direct Sym

3000/3500/4000K

Optical Performance @ 120V

Nominal Spec:	3000K	3500K	4000K
Flux (lm)	2973	3063	3054
Efficacy (lm/W)	120.9	125.0	123.6
Power (W)	24.6	24.5	24.7
CCT (K)	3107	3487	4128
CRI	84	84	84
R9	11	9	13
x	0.4288	0.4063	0.3748
y	0.3998	0.3920	0.3728
Duv	-0.0010	0.0000	0.0000

Electrical Performance @ CRI>80, 3500K

Input Voltage	120V	277V	347V
Input Power	24.5W	24.5W	25.0W
Input Current	0.21A	0.09A	0.08A
Power Factor	0.990	0.949	0.943
Total Harm. Distortion	9.1%	12.4%	12.0%

Tested values – contact technical support for rated values. Off-state power zero unless certain controls are specified.

