



# Linear

## MicroSquare gen2 suspended

1300 lm/4ft, Direct  
3000/3500/4000K



Project: \_\_\_\_\_  
 Spec Type: \_\_\_\_\_  
 Catalog No: 2201LxKLN \_\_\_\_\_  
 Qty \_\_\_\_\_  
 Line Notes: \_\_\_\_\_

Philips Ledalite's MicroSquare gen2 has been re-engineered to furnish your space with the highest quality, discreet, narrow lines of continuous light. Elegant, low glare illumination with wide-throw upper and lower distributions improve visual comfort while allowing increased fixture spacing. This in turn, helps reduce initial and operating costs.

### Ordering guide

Product Type	Source	Color Temp *	Lumens *	Lower Optics	Upper Optics	Run Length	Wiring †	Voltage	Driver	Finish
2201	L		K	L	N					
MicroSquare II Suspended Direct	L LED	A 4000K B 3500K C 3000K	G 2600lm/4ft" K 1300lm/4ft"	L Flush Silk Lens	N Solid Housing	04 4' 06 6' 08 8' XX Total run length (4' increments)	7 1cct Dimming M 1cct Dimming + EM Wiring	1 120V 2 277V 3 347V	E Philips Advance 0-10V (1% dim)	W Standard White T Titanium Silver B Black C Custom

\* Nominal values within a range. Consult photometry data for color temp, lumens & distribution of chosen configuration.

† Not all wiring types are available with all configurations. Consult Philips Ledalite for a complete list of available options.

### Mounting Hardware

**Mount Type**  
Consult separate mounting spec sheet for mount type options

**Suspension Length**  
Distance from ceiling to top of luminaire in inches

### Endcaps -



SC - Solid Cube  
(standard)



SB - Sculpted  
Black Acrylic



FM - Flush Maple



# MicroSquare gen2 suspended

1300 lm/4ft, Direct  
3000/3500/4000K

## Optical System

**Upper hemisphere:** Light from a linear array of upward-facing LEDs is shaped into a homogeneous, wide-throw batwing distribution using either a freeform elliptical lens or an engineered light guide panel.

**Lower hemisphere:** Light from a linear array of downward-facing LEDs is diffused through a transmissive white engineered acrylic lens to deliver a highly uniform, luminous continuum without sacrificing efficacy.

## Endcaps

Cubic aluminum endcaps with an internal draw-tight connector to minimize the joint line. Three styles available: solid cube, sculpted black acrylic insert or flush maple insert.

## Finish

Standard finish is a textured matte powder coat in white, black or titanium silver.

## Housing

Precision aluminum extrusion, post painted.

## Weight

Maximum: Surface & Suspended Direct or Indirect - 7.5 lb/4ft; Suspended D/I - 9.5 lb/4ft; Wall D/I - 13.8 lb/4ft

## Electrical

Factory pre-wired to section ends with quick-wire connectors.

## Standard Driver

Philips Advance Xitanium 0-10V, 1-100%. Class 2 rated output. Consult Philips Ledalite for other available drivers.

## Lumen Maintenance

LEDs have been tested by the manufacturer in accordance with IESNA LM-80-08. At an ambient temperature of 25°C, the LED lumen maintenance expectation according to IES TM-21-11 Reported methodology is:

L<sub>80</sub> (12k) >72,000 hrs.

## Source Color

LEDs rated for color rendering CRI >80, R9 >0 and fixture to fixture color accuracy within 2 SDCM.

## Mounting

**Suspended:** Tamper-resistant aircraft cable gripper provides unlimited vertical adjustment. Aircraft cable, crimp and cable gripper are independently tested to meet stringent safety requirements.

**Wall:** A hidden steel rail and bracket system attaches the housing to the wall structure. Mount positioning is fully variable along the modules to accommodate site conditions, spaced up to 4½' on center and within 12" of an end or joint.

**Surface:** Fixture is mounted flush to surface using hidden brackets at ends and joints.

## Approvals

Certified to UL, CSA and IES standards. Certain suspended indirect/direct versions are DesignLights Consortium® qualified. Please see the DLC QPL list for exact catalog numbers ([www.designlights.org/QPL](http://www.designlights.org/QPL)).

## Warranty

Philips indoor professional luminaires 5 year LED warranty: [www.philips.com/warranties](http://www.philips.com/warranties).

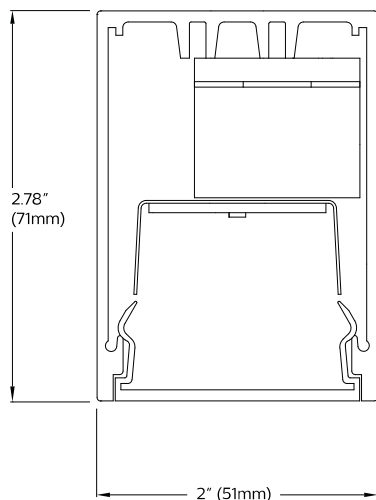
## Environment

Rated for dry or damp locations in operating ambient temperatures 0-40°C (32-104°F). Certain luminaire components may be adversely affected by contaminants. Damage caused by sulfur, chlorine, petroleum based solutions or other contaminants in the area of operation are not covered under warranty. Not suitable for natatorium environments.

Due to continuing product improvements, Philips Ledalite reserves the right to change the specifications without notice.

## Dimensions - Cross Section

Suspended Direct

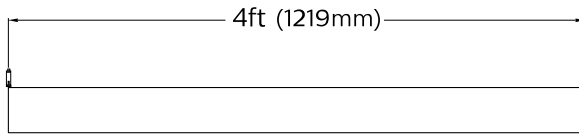


# MicroSquare gen2 suspended

1300 lm/4ft, Direct  
3000/3500/4000K

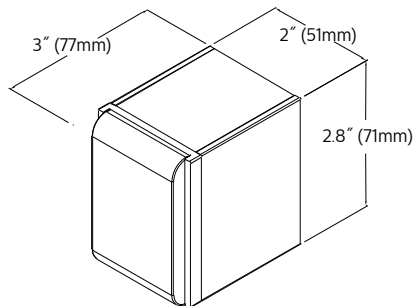
## Dimensions - Modules

Suspended - Side view, no end caps

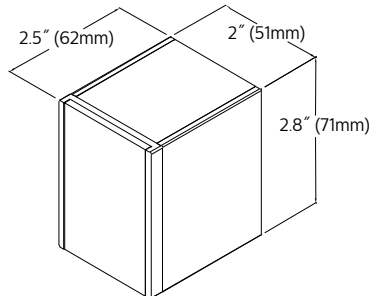


## Optics and Styles

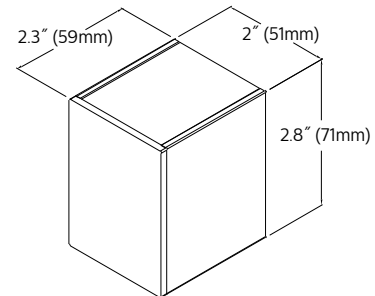
Endcap Details



Sculpted Black Acrylic



Flush Maple

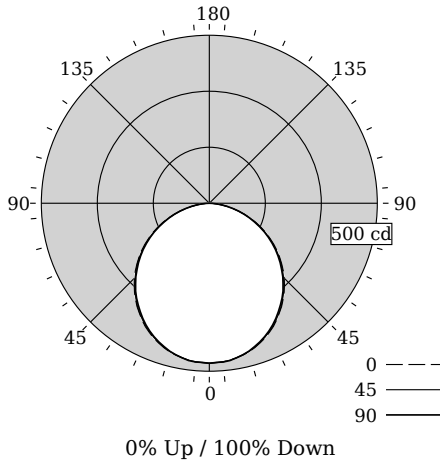


Solid Cube

# MicroSquare gen2 suspended

1300 lm/4ft, Direct  
3000/3500/4000K

## Photometry - 3500K



## Candela Distribution

Vertical Angle	Horizontal Angle				Zonal Lumens
	0	22.5	45	67.5	
0	476	476	476	476	0
5	474	474	473	474	45
15	458	455	457	456	129
25	424	419	422	421	194
35	375	371	373	371	233
45	315	312	312	310	240
55	246	244	243	240	217
65	170	169	167	165	165
75	91	90	90	90	95
85	21	22	23	23	26
90	0	0	0	0	0
95	0	0	0	0	0
105	0	0	0	0	0
115	0	0	0	0	0
125	0	0	0	0	0
135	0	0	0	0	0
145	0	0	0	0	0
155	0	0	0	0	0
165	0	0	0	0	0
175	0	0	0	0	0
180	0	0	0	0	0

Values per 4ft unit

Fixture photometry has been conducted in accordance with IESNA LM-79-08

IES files for this and other photometric options can be downloaded online at [www.lightingproducts.philips.com](http://www.lightingproducts.philips.com)

## Coefficients of Utilization (%)

RCR	Ceiling										
	70	50	30	10	70	50	30	10	70	50	
0	119	119	119	119	116	116	116	111	111	111	100
1	109	104	100	96	106	102	98	97	94	91	84
2	99	90	84	78	96	89	82	85	80	75	69
3	90	79	71	65	87	78	70	75	68	63	58
4	82	70	61	55	80	69	61	66	59	53	50
5	76	63	54	47	74	62	53	59	52	46	43
6	70	56	47	41	68	56	47	54	46	40	38
7	65	51	42	36	63	50	42	49	41	36	33
8	60	47	38	32	59	46	38	45	37	32	30
9	56	43	35	29	55	42	34	41	34	29	27
10	53	40	32	26	52	39	31	38	31	26	24

## Avg. Luminance (cd/m2)

Vertical Angle	Horizontal Angle		
	0	45	90
55	7396	7303	7210
65	6930	6804	6720
75	6035	5966	5966
85	4073	4480	4480

## Distribution

Hemisphere	0% Up / 100% Down
Glare Control	Meets RP-1-12 recommendations for VDT-Critical spaces
Spacing Along (0 °)	1.25
Spacing Across (90 °)	1.24

Philips Ledalite

**LED lighting facts**  
A Program of the U.S. DOE

---

**Light Output (Lumens)** **1343**

**Watts** **13.2**

**Lumens per Watt (Efficacy)** **101.74**

---

**Color Accuracy**  
Color Rendering Index (CRI) **84**

---

**Light Color**  
Correlated Color Temperature (CCT) **3487 (Bright White)**

2700K    3000K    4500K    6500K

---

All results are according to IESNA LM-79-2008: Approved Method for the Electrical and Photometric Testing of Solid-State Lighting. The U.S. Department of Energy (DOE) verifies product test data and results.

Visit [www.lightingfacts.com](http://www.lightingfacts.com) for the Label Reference Guide.

Registration Number: F46Z-17R6M8 (3/6/2017)  
Model Number: 22x1LBKLN  
Type: Luminaire - Linear

# MicroSquare gen2 suspended

1300 lm/4ft, Direct  
3000/3500/4000K

## Optical Performance

Nominal CCT:	3000K	3500K	4000K
Flux (lm)	1303	1344	1340
Efficacy (lm/W)	98.0	101.8	100.8
Power (W)	13.3	13.2	13.3
CCT (K)	3107	3487	4128
CRI	84	84	84
R9	11	9	13
x	0.4288	0.4063	0.3748
y	0.3998	0.3920	0.3728
Duv	-0.0010	0.0000	0.0000

## Electrical Performance - 3500K

Input Voltage	120V	277V	347V
Input Power	13.2W	13.2W	13.7W
Input Current	0.11A	0.05A	0.04A
Power Factor	0.985	0.941	0.940
Total Harm. Distortion	12.2%	17.0%	15.0%

Tested values . contact technical support for rated values. Off-state power zero unless certain controls are specified.

