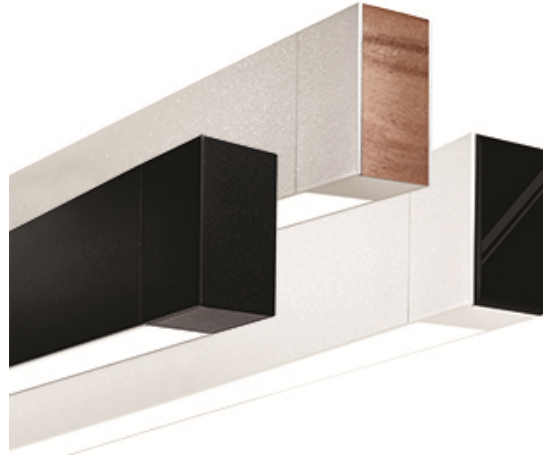




# Linear

## MicroSquare gen2 suspended

5900 lm/4ft, Direct/Indirect Sym  
3000/3500/4000K



Project: \_\_\_\_\_  
Spec Type: \_\_\_\_\_  
Catalog No: 2206LxBLQ \_\_\_\_\_  
Qty \_\_\_\_\_  
Line Notes: \_\_\_\_\_

Philips Ledalite's MicroSquare gen2 has been re-engineered to furnish your space with the highest quality, discreet, narrow lines of continuous light. Elegant, low glare illumination with wide-throw upper and lower distributions improve visual comfort while allowing increased fixture spacing. This in turn, helps reduce initial and operating costs.

### Ordering guide

Product Type	Source	Color Temp *	Lumens *	Lower Optics	Upper Optics	Run Length	Wiring †	Voltage	Driver	Finish
2206	L		B	L	Q					
MicroSquare II Suspended Direct/ Indirect	L LED	A 4000K B 3500K C 3000K	B 5900 lm/4ft (45% Down) C 4300 lm/4ft (60% Down) E 3300 lm/4ft (75% Down)	L Flush Silk Lens	WAsymmetric Wide-Throw Lens Q Symmetric Wide-Throw Lens	04 4' 06 6' 08 8' XX Total run length (4' increments)	7 1 cct Dimming G 2 cct Up/Dn Dimming K 2 cct Up/Dn Dimming + EM Wiring M 1 cct Dimming + EM Wiring	1 120V 2 277V 3 347V	E Philips Advance 0-10V (1% dim)	W Standard White T Titanium Silver B Black C Custom

\* Nominal values within a range. Consult photometry data for CRI, color temp, lumens & distribution of chosen configuration.

† Not all wiring types are available with all configurations. Consult Philips Ledalite for a complete list of available options.

### Mounting Hardware

**Mount Type**  
Consult separate mounting spec sheet for mount type options:  
**Ledalite Suspended Mounting Options**

**Suspension Length**  
Distance from ceiling to top of luminaire in inches

Endcaps -



SC - Solid Cube  
(standard)



SB - Sculpted  
Black Acrylic



FM - Flush Maple



# MicroSquare gen2 suspended

5900 lm/4ft, Direct/Indirect Sym

3000/3500/4000K

## Optical System

**Upper hemisphere:** Light from a linear array of upward-facing LEDs is shaped into a homogeneous, wide-throw batwing distribution using either a freeform elliptical lens or an engineered light guide panel.

**Lower hemisphere:** Light from a linear array of downward-facing LEDs is diffused through a transmissive white engineered acrylic lens to deliver a highly uniform, luminous continuum without sacrificing efficacy.

## Endcaps

Cubic aluminum endcaps with an internal draw-tight connector to minimize the joint line.

Three styles available: solid cube, sculpted black acrylic insert or flush maple insert.

## Finish

Standard finish is a textured matte powder coat in white, black or titanium silver.

## Housing

Precision aluminum extrusion, post painted.

## Weight

Maximum: Surface & Suspended Direct or Indirect - 7.5 lb/4ft; Suspended D/I - 9.5 lb/4ft; Wall D/I - 13.8 lb/4ft

## Electrical

Factory pre-wired to section ends with quick-wire connectors.

## Standard Driver

Philips Advance Xitanium 0-10V, 1-100%. Class 2 rated output. Consult Philips Ledalite for other available drivers.

## Lumen Maintenance

LEDs have been tested by the manufacturer in accordance with IESNA LM-80-08. At an ambient temperature of 25°C, the LED lumen maintenance expectation according to IES TM-21-11 Reported methodology is:

L<sub>80</sub> (12k) >72,000 hrs.

## Source Color

LEDs rated for color rendering CRI >80, R9 >0 and fixture to fixture color accuracy within 2 SDCM.

## Mounting

**Suspended:** Tamper-resistant aircraft cable gripper provides unlimited vertical adjustment. Aircraft cable, crimp and cable gripper are independently tested to meet stringent safety requirements.

**Wall:** A hidden steel rail and bracket system attaches the housing to the wall structure. Mount positioning is fully variable along the modules to accommodate site conditions, spaced up to 4½" on center and within 12" of an end or joint.

**Surface:** Fixture is mounted flush to surface using hidden brackets at ends and joints.

## Approvals

Certified to UL, CSA and IES standards.

Certain suspended indirect/direct versions are DesignLights Consortium® qualified. Please see the DLC QPL list for exact catalog numbers ([www.designlights.org/QPL](http://www.designlights.org/QPL)).

## Warranty

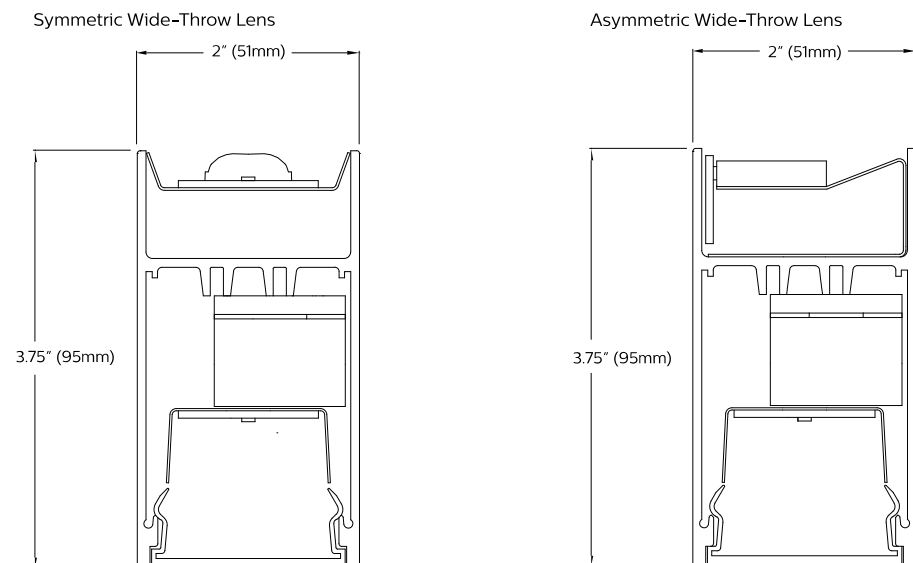
Philips indoor professional luminaires 5 year LED warranty: [www.philips.com/warranties](http://www.philips.com/warranties).

## Environment

Rated for dry or damp locations in operating ambient temperatures 0-40°C (32-104°F). Certain luminaire components may be adversely affected by contaminants. Damage caused by sulfur, chlorine, petroleum based solutions or other contaminants in the area of operation are not covered under warranty. Not suitable for natatorium environments.

Due to continuing product improvements, Philips Ledalite reserves the right to change the specifications without notice.

## Dimensions - Cross Section



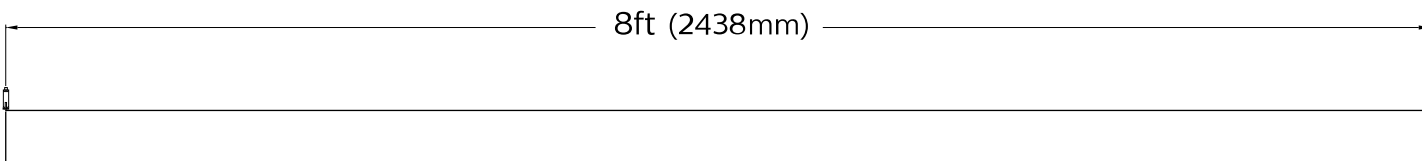
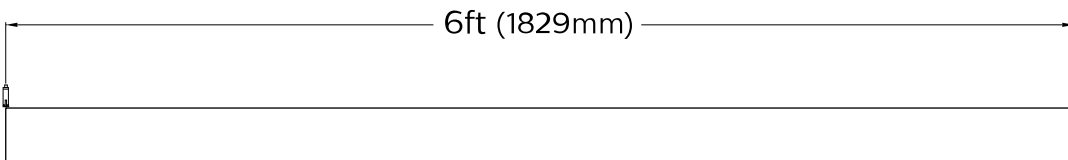
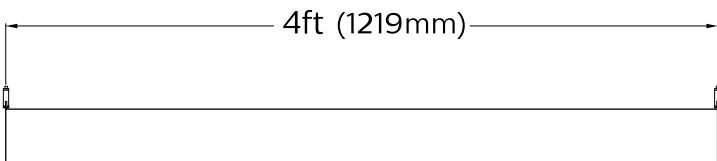
# MicroSquare gen2 suspended

5900 lm/4ft, Direct/Indirect Sym

3000/3500/4000K

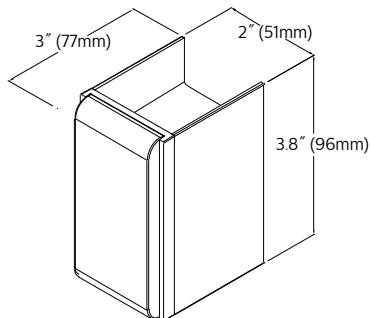
## Dimensions - Modules

Suspended - Side view, no end caps

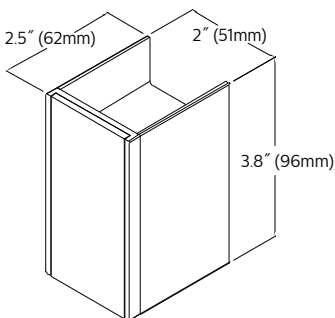


## Optics and Styles

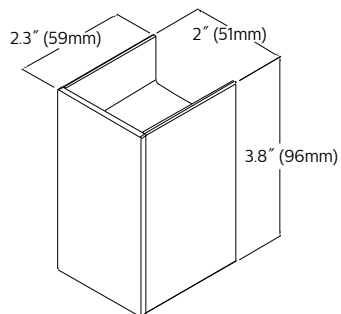
Endcap Details



Sculpted Black Acrylic



Flush Maple



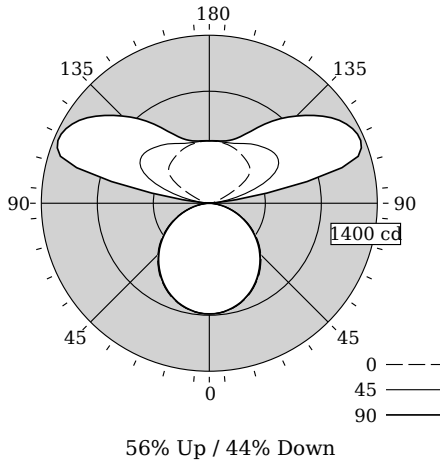
Solid Cube

# MicroSquare gen2 suspended

5900 lm/4ft, Direct/Indirect Sym

3000/3500/4000K

## Photometry @ CRI>80, 3500K



## Candela Distribution

Vertical Angle	Horizontal Angle				Zonal Lumens
	0	22.5	45	67.5	
0	922	922	922	922	0
5	919	919	918	919	87
15	885	881	884	884	249
25	818	812	815	815	375
35	724	718	719	717	449
45	607	599	602	596	463
55	473	468	466	461	416
65	323	321	318	315	313
75	169	170	169	169	167
85	38	40	41	42	42
90	0	0	0	0	0
95	15	30	41	59	72
105	60	96	310	869	1144
115	181	264	603	1102	1363
125	399	464	686	1054	1242
135	461	502	654	900	1028
145	483	508	604	734	805
155	503	511	550	593	612
165	513	514	524	534	538
175	520	520	521	521	522
180	520	520	520	520	520

Values per 4ft unit

Fixture photometry has been conducted in accordance with IESNA LM-79-08

IES files for this and other photometric options can be downloaded online at [www.lightingproducts.philips.com](http://www.lightingproducts.philips.com)

## Coefficients of Utilization (%)

RCR	Ceiling/Wall										
	70	50	30	10	70	50	30	50	30	10	0
0	106	106	106	106	97	97	97	80	80	80	44
1	96	92	88	85	88	84	81	70	68	65	37
2	88	80	74	69	80	74	68	61	57	54	31
3	80	70	63	57	73	65	58	54	49	45	26
4	73	62	54	48	66	57	50	48	42	38	22
5	67	55	47	41	61	51	44	43	37	33	19
6	62	49	41	36	56	46	38	38	33	29	17
7	57	45	37	31	52	41	34	35	29	25	15
8	53	40	33	27	48	37	30	32	26	22	13
9	49	37	29	24	45	34	27	29	24	20	12
10	46	34	26	22	42	31	25	27	21	18	11

## Avg. Luminance (cd/m2)

Vertical Angle	Horizontal Angle		
	0	45	90
55	14190	13974	13788
65	13175	12965	12755
75	11236	11236	11099
85	7528	8138	8342

## Distribution

Hemisphere	56% Up / 44% Down
------------	-------------------

Philips Ledalite

**LED lighting facts**  
A Program of the U.S. DOE

---

**Light Output (Lumens)** **5857**

**Watts** **49**

**Lumens per Watt (Efficacy)** **119.53**

---

**Color Accuracy** **84**

Color Rendering Index (CRI)

---

**Light Color** **3558 (Bright White)**

Correlated Color Temperature (CCT)

2700K    3000K    4500K    6500K

---

All results are according to IESNA LM-79-2008: Approved Method for the Electrical and Photometric Testing of Solid-State Lighting. The U.S. Department of Energy (DOE) verifies product test data and results.

Visit [www.lightingfacts.com](http://www.lightingfacts.com) for the Label Reference Guide.

Registration Number: F46Z-SDTSTR (3/7/2017)  
Model Number: 22x6LBBLQ  
Type: Luminaire - Linear

# MicroSquare gen2 suspended

5900 lm/4ft, Direct/Indirect Sym

3000/3500/4000K

## Optical Performance @ 120V

Nominal Spec:	3000K	3500K	4000K
Flux (lm)	5687	5857	5840
Efficacy (lm/W)	115.6	119.5	118.2
Power (W)	49.2	49.0	49.4
CCT (K)	3159	3558	4224
CRI	84	84	84
R9	10	9	14
x	0.4248	0.4022	0.3705
y	0.3973	0.3894	0.3684
Duv	-0.0010	0.0000	-0.0010

## Electrical Performance @ CRI>80, 3500K

Input Voltage	120V	277V	347V
Input Power	49.0W	48.2W	49.0W
Input Current	0.41A	0.18A	0.14A
Power Factor	0.999	0.977	0.981
Total Harm. Distortion	5.6%	9.4%	7.0%

Tested values – contact technical support for rated values. Off-state power zero unless certain controls are specified.

