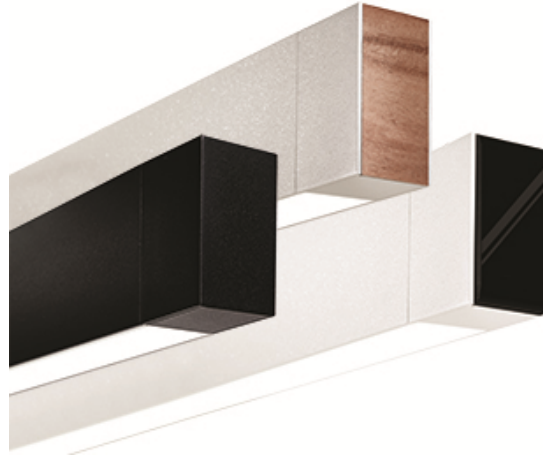




# Linear

## MicroSquare gen2 suspended

4300 lm/4ft, Direct/Indirect Asym  
3000/3500/4000K



Project: \_\_\_\_\_  
 Spec Type: \_\_\_\_\_  
 Catalog No: 2206LxCLW \_\_\_\_\_  
 Qty \_\_\_\_\_  
 Line Notes: \_\_\_\_\_

Philips Ledalite's MicroSquare gen2 has been re-engineered to furnish your space with the highest quality, discreet, narrow lines of continuous light. Elegant, low glare illumination with wide-throw upper and lower distributions improve visual comfort while allowing increased fixture spacing. This in turn, helps reduce initial and operating costs.

### Ordering guide

Product Type	Source	Color Temp *	Lumens *	Lower Optics	Upper Optics	Run Length	Wiring †	Voltage	Driver	Finish
2206	L		C	L	W					
MicroSquare II Suspended Direct/ Indirect	L LED	A 4000K B 3500K C 3000K	B 5900 lm/4ft (45% Down) C 4300 lm/4ft (60% Down) E 3300 lm/4ft (75% Down)	L Flush Silk Lens	WAsymmetric Wide-Throw Lens Q Symmetric Wide-Throw Lens	04 4' 06 6' 08 8' XX Total run length (4' increments)	7 1 cct Dimming G 2 cct Up/Dn Dimming K 2 cct Up/Dn Dimming + EM Wiring M 1 cct Dimming + EM Wiring	1 120V 2 277V 3 347V	E Philips Advance 0-10V (1% dim)	W Standard White T Titanium Silver B Black C Custom

\* Nominal values within a range. Consult photometry data for CRI, color temp, lumens & distribution of chosen configuration.

† Not all wiring types are available with all configurations. Consult Philips Ledalite for a complete list of available options.

### Mounting Hardware

**Mount Type**  
Consult separate mounting spec sheet for mount type options:  
**Ledalite Suspended Mounting Options**

**Suspension Length**  
Distance from ceiling to top of luminaire in inches

### Endcaps -



SC - Solid Cube  
(standard)

SB - Sculpted  
Black Acrylic

FM - Flush Maple



# MicroSquare gen2 suspended

4300 lm/4ft, Direct/Indirect Asym

3000/3500/4000K

## Optical System

**Upper hemisphere:** Light from a linear array of upward-facing LEDs is shaped into a homogeneous, wide-throw batwing distribution using either a freeform elliptical lens or an engineered light guide panel.

**Lower hemisphere:** Light from a linear array of downward-facing LEDs is diffused through a transmissive white engineered acrylic lens to deliver a highly uniform, luminous continuum without sacrificing efficacy.

## Endcaps

Cubic aluminum endcaps with an internal draw-tight connector to minimize the joint line.

Three styles available: solid cube, sculpted black acrylic insert or flush maple insert.

## Finish

Standard finish is a textured matte powder coat in white, black or titanium silver.

## Housing

Precision aluminum extrusion, post painted.

## Weight

Maximum: Surface & Suspended Direct or Indirect - 7.5 lb/4ft; Suspended D/I - 9.5 lb/4ft; Wall D/I - 13.8 lb/4ft

## Electrical

Factory pre-wired to section ends with quick-wire connectors.

## Standard Driver

Philips Advance Xitanium 0-10V, 1-100%. Class 2 rated output. Consult Philips Ledalite for other available drivers.

## Lumen Maintenance

LEDs have been tested by the manufacturer in accordance with IESNA LM-80-08. At an ambient temperature of 25°C, the LED lumen maintenance expectation according to IES TM-21-11 Reported methodology is:

L<sub>80</sub> (12k) >72,000 hrs.

## Source Color

LEDs rated for color rendering CRI >80, R9 >0 and fixture to fixture color accuracy within 2 SDCM.

## Mounting

**Suspended:** Tamper-resistant aircraft cable gripper provides unlimited vertical adjustment. Aircraft cable, crimp and cable gripper are independently tested to meet stringent safety requirements.

**Wall:** A hidden steel rail and bracket system attaches the housing to the wall structure. Mount positioning is fully variable along the modules to accommodate site conditions, spaced up to 4½" on center and within 12" of an end or joint.

**Surface:** Fixture is mounted flush to surface using hidden brackets at ends and joints.

## Approvals

Certified to UL, CSA and IES standards.

Certain suspended indirect/direct versions are DesignLights Consortium® qualified. Please see the DLC QPL list for exact catalog numbers ([www.designlights.org/QPL](http://www.designlights.org/QPL)).

## Warranty

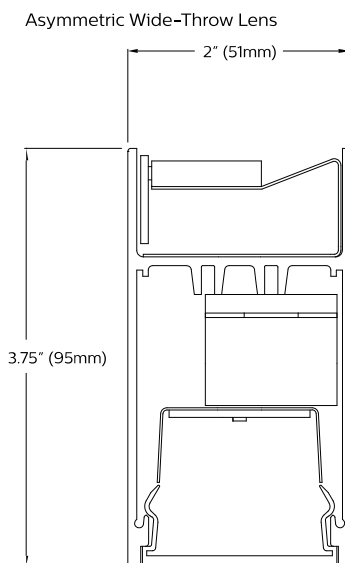
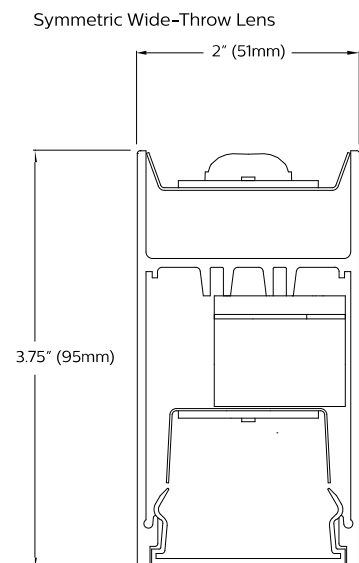
Philips indoor professional luminaires 5 year LED warranty: [www.philips.com/warranties](http://www.philips.com/warranties).

## Environment

Rated for dry or damp locations in operating ambient temperatures 0-40°C (32-104°F). Certain luminaire components may be adversely affected by contaminants. Damage caused by sulfur, chlorine, petroleum based solutions or other contaminants in the area of operation are not covered under warranty. Not suitable for natatorium environments.

Due to continuing product improvements, Philips Ledalite reserves the right to change the specifications without notice.

## Dimensions - Cross Section



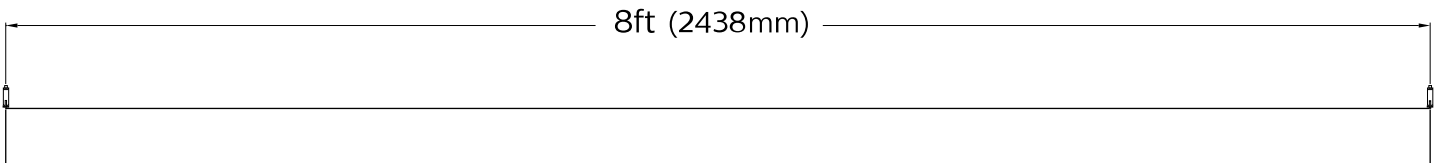
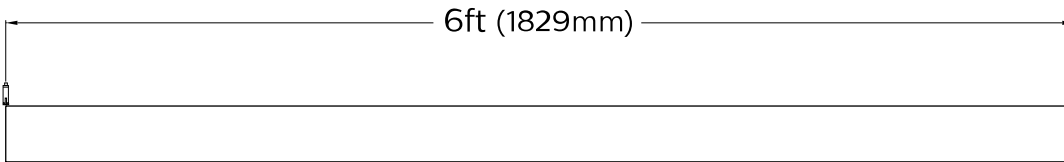
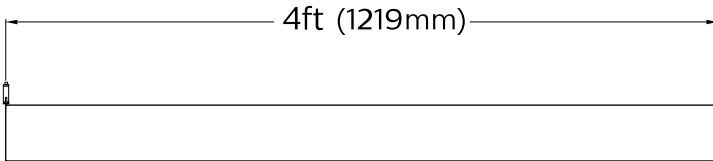
# MicroSquare gen2 suspended

4300 lm/4ft, Direct/Indirect Asym

3000/3500/4000K

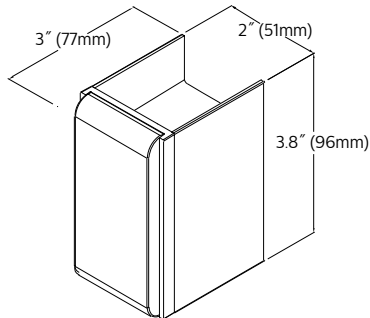
## Dimensions - Modules

Suspended - Side view, no end caps

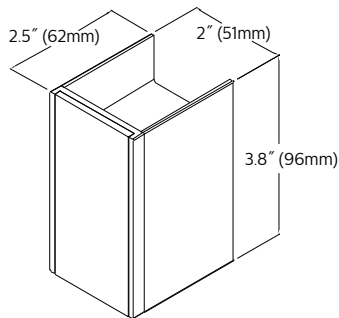


## Optics and Styles

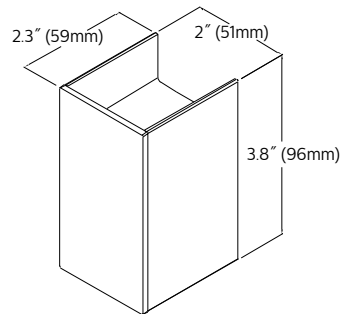
Endcap Details



Sculpted Black Acrylic



Flush Maple



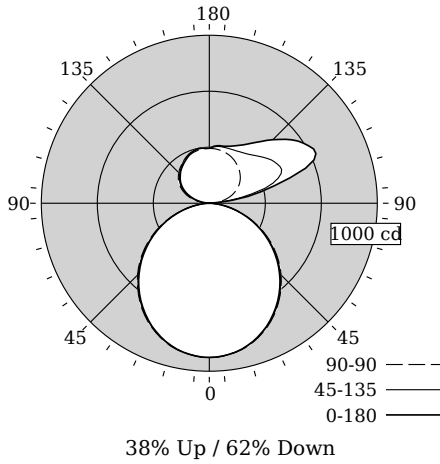
Solid Cube

# MicroSquare gen2 suspended

4300 lm/4ft, Direct/Indirect Asym

3000/3500/4000K

## Photometry @ CRI>80, 3500K



## Candela Distribution

Vertical Angle	Horizontal Angle				Zonal Lumens
	0	45	90	135	
0	918	918	918	918	0
5	913	914	913	914	87
15	877	878	882	878	248
25	808	811	814	811	373
35	710	715	719	715	446
45	591	598	605	598	460
55	456	464	471	464	413
65	312	316	321	316	313
75	167	168	169	168	178
85	41	40	38	40	47
90	0	0	0	0	0
95	56	48	34	24	15
105	399	342	111	101	89
115	700	475	174	166	155
125	645	450	222	214	207
135	535	399	257	249	244
145	436	364	284	281	275
155	378	349	306	312	303
165	351	344	319	327	327
175	341	337	326	327	329
180	327	327	327	327	327

## Values per 4ft unit

Fixture photometry has been conducted in accordance with IESNA LM-79-08

IES files for this and other photometric options can be downloaded online at [www.lightingproducts.philips.com](http://www.lightingproducts.philips.com)

## Coefficients of Utilization (%)

RCR	Ceiling										0	
	70	50	30	10	70	50	30	10	70	50		30
0	110	110	110	110	103	103	103	90	90	90	62	0
1	100	96	92	88	94	90	86	79	76	74	52	0
2	91	83	77	72	85	78	73	69	64	61	43	0
3	83	73	66	60	77	69	62	60	55	51	36	0
4	76	65	57	50	71	61	54	54	48	43	31	0
5	70	58	49	43	65	54	47	48	42	37	27	0
6	64	52	43	37	60	49	41	43	37	32	23	0
7	59	47	39	33	55	44	37	39	33	29	21	0
8	55	42	34	29	51	40	33	36	30	25	18	0
9	51	39	31	26	48	37	30	33	27	23	17	0
10	48	36	28	23	45	34	27	30	24	21	15	0

## Avg. Luminance (cd/m2)

Vertical Angle	Horizontal Angle		
	0	90	180
55	13687	14137	13687
65	12710	13076	12710
75	11108	11242	11108
85	8099	7506	8099

## Distribution

Hemisphere	38% Up / 62% Down
Spacing at 180°	1.23

# MicroSquare gen2 suspended

4300 lm/4ft, Direct/Indirect Asym

3000/3500/4000K

## Optical Performance @ 120V

Nominal Spec:	3000K	3500K	4000K
Flux (lm)	4031	4152	4140
Efficacy (lm/W)	104.7	108.1	107.0
Power (W)	38.5	38.4	38.7
CCT (K)	3159	3558	4224
CRI	84	84	84
R9	10	9	14
x	0.4248	0.4022	0.3705
y	0.3973	0.3894	0.3684
Duv	-0.0010	0.0000	-0.0010

## Electrical Performance @ CRI>80, 3500K

Input Voltage	120V	277V	347V
Input Power	38.4W	38.4W	39.8W
Input Current	0.32A	0.15A	0.12A
Power Factor	0.994	0.946	0.946
Total Harm. Distortion	9.9%	13.8%	13.0%

Tested values – contact technical support for rated values. Off-state power zero unless certain controls are specified.

