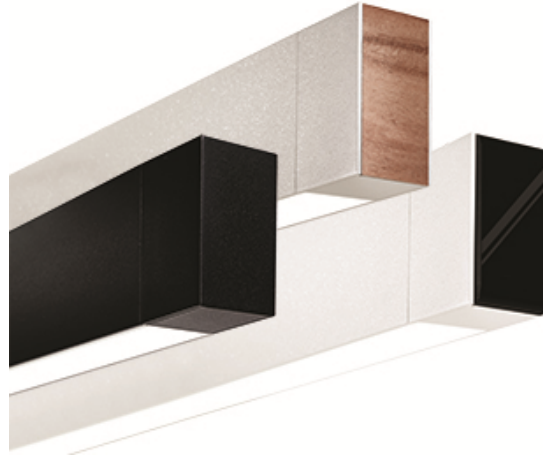




Linear

MicroSquare gen2 suspended

4300 lm/4ft, Direct/Indirect Sym
3000/3500/4000K



Project: _____
Spec Type: _____
Catalog No: 2206LxCLQ _____
Qty _____
Line Notes: _____

Philips Ledalite's MicroSquare gen2 has been re-engineered to furnish your space with the highest quality, discreet, narrow lines of continuous light. Elegant, low glare illumination with wide-throw upper and lower distributions improve visual comfort while allowing increased fixture spacing. This in turn, helps reduce initial and operating costs.

Ordering guide

Product Type	Source	Color Temp *	Lumens *	Lower Optics	Upper Optics	Run Length	Wiring †	Voltage	Driver	Finish
2206	L		C	L	Q					
MicroSquare II Suspended Direct/ Indirect	L LED	A 4000K B 3500K C 3000K	B 5900 lm/4ft (45% Down) C 4300 lm/4ft (60% Down) E 3300 lm/4ft (75% Down)	L Flush Silk Lens	WAsymmetric Wide-Throw Lens Q Symmetric Wide-Throw Lens	04 4' 06 6' 08 8' XX Total run length (4' increments)	7 1 cct Dimming G 2 cct Up/Dn Dimming K 2 cct Up/Dn Dimming + EM Wiring M 1 cct Dimming + EM Wiring	1 120V 2 277V 3 347V	E Philips Advance 0-10V (1% dim)	W Standard White T Titanium Silver B Black C Custom

* Nominal values within a range. Consult photometry data for CRI, color temp, lumens & distribution of chosen configuration.

† Not all wiring types are available with all configurations. Consult Philips Ledalite for a complete list of available options.

Mounting Hardware

Mount Type
Consult separate mounting spec sheet for mount type options:
Ledalite Suspended Mounting Options

Suspension Length
Distance from ceiling to top of luminaire in inches

Endcaps -



SC - Solid Cube
(standard)



SB - Sculpted
Black Acrylic



FM - Flush Maple



MicroSquare gen2 suspended

4300 lm/4ft, Direct/Indirect Sym

3000/3500/4000K

Optical System

Upper hemisphere: Light from a linear array of upward-facing LEDs is shaped into a homogeneous, wide-throw batwing distribution using either a freeform elliptical lens or an engineered light guide panel.

Lower hemisphere: Light from a linear array of downward-facing LEDs is diffused through a transmissive white engineered acrylic lens to deliver a highly uniform, luminous continuum without sacrificing efficacy.

Endcaps

Cubic aluminum endcaps with an internal draw-tight connector to minimize the joint line.

Three styles available: solid cube, sculpted black acrylic insert or flush maple insert.

Finish

Standard finish is a textured matte powder coat in white, black or titanium silver.

Housing

Precision aluminum extrusion, post painted.

Weight

Maximum: Surface & Suspended Direct or Indirect - 7.5 lb/4ft; Suspended D/I - 9.5 lb/4ft; Wall D/I - 13.8 lb/4ft

Electrical

Factory pre-wired to section ends with quick-wire connectors.

Standard Driver

Philips Advance Xitanium 0-10V, 1-100%. Class 2 rated output. Consult Philips Ledalite for other available drivers.

Lumen Maintenance

LEDs have been tested by the manufacturer in accordance with IESNA LM-80-08. At an ambient temperature of 25°C, the LED lumen maintenance expectation according to IES TM-21-11 Reported methodology is:

L₈₀ (12k) >72,000 hrs.

Source Color

LEDs rated for color rendering CRI >80, R9 >0 and fixture to fixture color accuracy within 2 SDCM.

Mounting

Suspended: Tamper-resistant aircraft cable gripper provides unlimited vertical adjustment. Aircraft cable, crimp and cable gripper are independently tested to meet stringent safety requirements.

Wall: A hidden steel rail and bracket system attaches the housing to the wall structure. Mount positioning is fully variable along the modules to accommodate site conditions, spaced up to 4½' on center and within 12" of an end or joint.

Surface: Fixture is mounted flush to surface using hidden brackets at ends and joints.

Approvals

Certified to UL, CSA and IES standards.

Certain suspended indirect/direct versions are DesignLights Consortium® qualified. Please see the DLC QPL list for exact catalog numbers (www.designlights.org/QPL).

Warranty

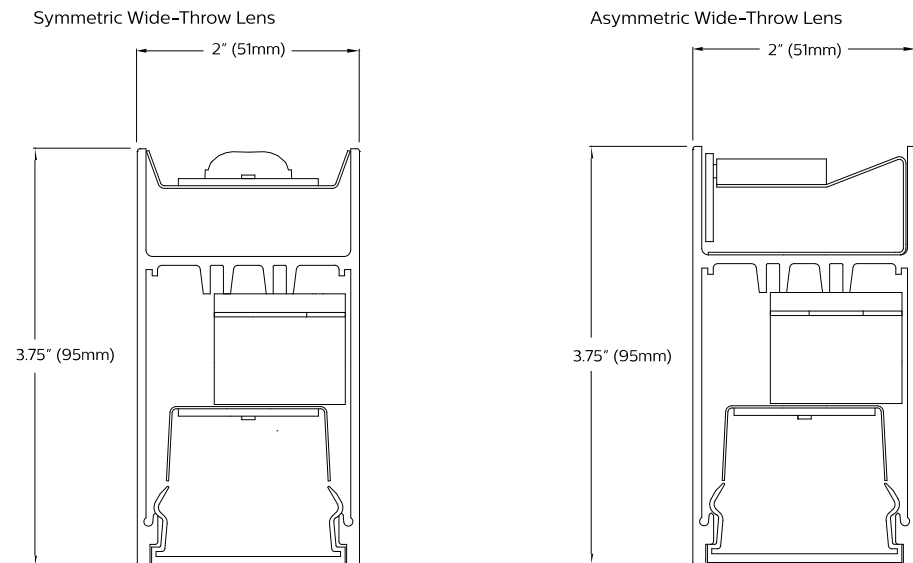
Philips indoor professional luminaires 5 year LED warranty: www.philips.com/warranties.

Environment

Rated for dry or damp locations in operating ambient temperatures 0-40°C (32-104°F). Certain luminaire components may be adversely affected by contaminants. Damage caused by sulfur, chlorine, petroleum based solutions or other contaminants in the area of operation are not covered under warranty. Not suitable for natatorium environments.

Due to continuing product improvements, Philips Ledalite reserves the right to change the specifications without notice.

Dimensions - Cross Section



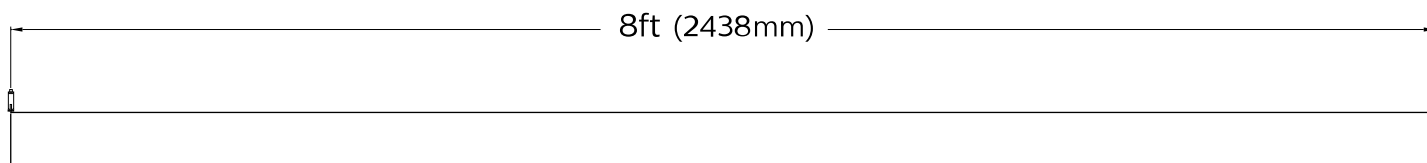
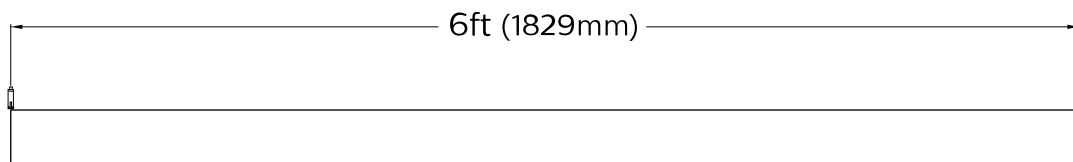
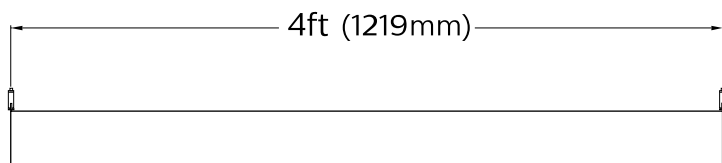
MicroSquare gen2 suspended

4300 lm/4ft, Direct/Indirect Sym

3000/3500/4000K

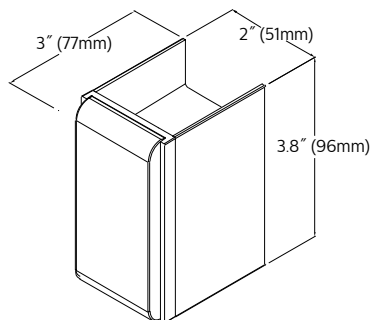
Dimensions - Modules

Suspended - Side view, no end caps

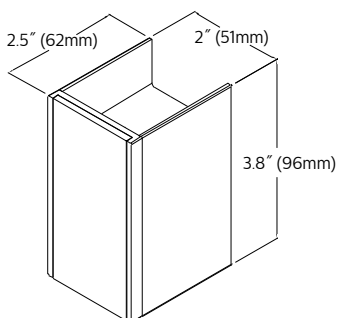


Optics and Styles

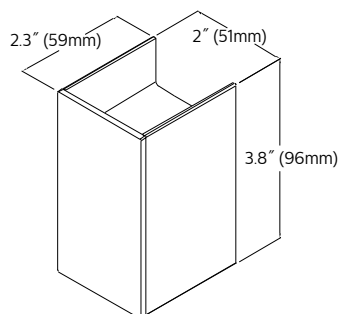
Endcap Details



Sculpted Black Acrylic



Flush Maple



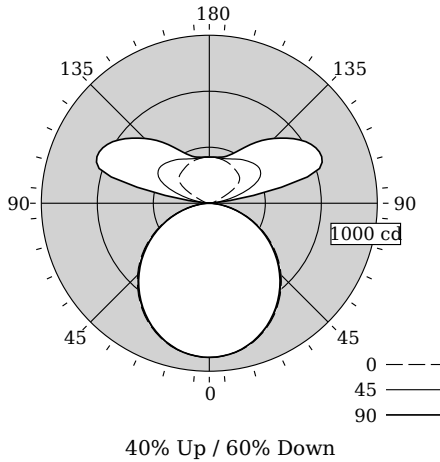
Solid Cube

MicroSquare gen2 suspended

4300 lm/4ft, Direct/Indirect Sym

3000/3500/4000K

Photometry @ CRI>80, 3500K



Candela Distribution

Vertical Angle	Horizontal Angle					Zonal Lumens
	0	22.5	45	67.5	90	
0	918	918	918	918	918	0
5	913	914	914	914	913	87
15	882	876	878	879	877	248
25	814	806	811	809	808	373
35	719	712	715	712	710	446
45	605	597	598	594	591	460
55	471	464	464	458	456	413
65	321	318	316	313	312	313
75	169	167	168	168	167	178
85	38	39	40	41	41	47
90	0	0	0	0	0	0
95	8	16	23	33	41	40
105	32	50	166	461	605	248
115	96	139	320	584	723	358
125	213	244	364	558	557	356
135	245	266	346	478	546	288
145	255	269	319	389	426	208
155	266	271	291	314	324	136
165	271	272	277	282	284	79
175	275	275	275	276	276	26
180	275	275	275	275	275	0

Values per 4ft unit

Fixture photometry has been conducted in accordance with IESNA LM-79-08

IES files for this and other photometric options can be downloaded online at www.lightingproducts.philips.com

Coefficients of Utilization (%)

RCR	Ceiling												
	70	50	30	10	70	50	30	10	70	50	30	10	0
0	109	109	109	109	102	102	102	89	89	89	89	60	0
1	100	95	91	88	93	89	86	78	75	73	73	50	0
2	91	83	77	71	84	78	72	68	64	60	60	42	0
3	83	73	65	59	77	68	62	60	54	50	50	35	0
4	76	64	56	50	70	60	53	53	47	43	43	30	0
5	69	57	49	43	64	54	46	47	41	37	37	26	0
6	64	51	43	37	59	48	41	43	37	32	32	23	0
7	59	46	38	33	55	44	36	39	33	28	28	20	0
8	55	42	34	29	51	40	33	35	29	25	25	18	0
9	51	39	31	26	48	36	29	32	26	22	22	16	0
10	48	35	28	23	45	33	27	30	24	20	20	14	0

Avg. Luminance (cd/m2)

Vertical Angle	Horizontal Angle		
	0	45	90
55	14128	13912	13696
65	13091	12881	12714
75	11236	11168	11099
85	7528	7935	8138

Distribution

Hemisphere	40% Up / 60% Down
------------	-------------------

Philips Ledalite

Lighting facts
A Program of the U.S. DOE

Light Output (Lumens) **4304**

Watts **38.4**

Lumens per Watt (Efficacy) **112.08**

Color Accuracy **84**

Color Rendering Index (CRI)

Light Color **3558 (Bright White)**

Correlated Color Temperature (CCT)

2700K 3000K 4500K 6500K

All results are according to IESNA LM-79-2008: Approved Method for the Electrical and Photometric Testing of Solid-State Lighting. The U.S. Department of Energy (DOE) verifies product test data and results.

Visit www.lightingfacts.com for the Label Reference Guide.

Registration Number: F46Z-NNGA1Q (3/7/2017)
Model Number: 22x6LBCLQ
Type: Luminaire - Linear

MicroSquare gen2 suspended

4300 lm/4ft, Direct/Indirect Sym

3000/3500/4000K

Optical Performance @ 120V

Nominal Spec:	3000K	3500K	4000K
Flux (lm)	4179	4304	4291
Efficacy (lm/W)	108.5	112.1	110.9
Power (W)	38.5	38.4	38.7
CCT (K)	3159	3558	4224
CRI	84	84	84
R9	10	9	14
x	0.4248	0.4022	0.3705
y	0.3973	0.3894	0.3684
Duv	-0.0010	0.0000	-0.0010

Electrical Performance @ CRI>80, 3500K

Input Voltage	120V	277V	347V
Input Power	38.4W	38.4W	39.8W
Input Current	0.32A	0.15A	0.12A
Power Factor	0.994	0.946	0.946
Total Harm. Distortion	9.9%	13.8%	13.0%

Tested values – contact technical support for rated values. Off-state power zero unless certain controls are specified.

