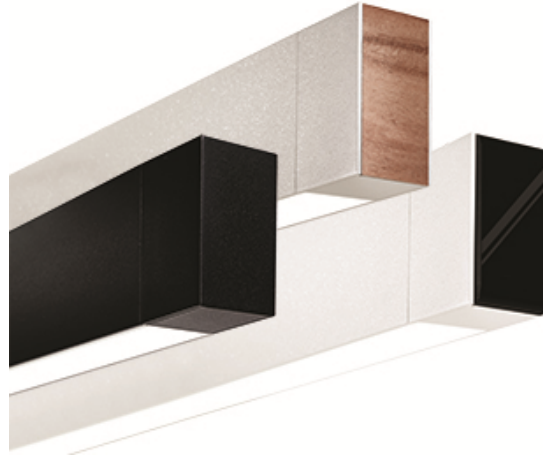




Linear

MicroSquare gen2 suspended

3300 lm/4ft, Direct/Indirect Asym
3000/3500/4000K



Project: _____
Spec Type: _____
Catalog No: 2206LxELW _____
Qty _____
Line Notes: _____

Philips Ledalite's MicroSquare gen2 has been re-engineered to furnish your space with the highest quality, discreet, narrow lines of continuous light. Elegant, low glare illumination with wide-throw upper and lower distributions improve visual comfort while allowing increased fixture spacing. This in turn, helps reduce initial and operating costs.

Ordering guide

Product Type	Source	Color Temp *	Lumens *	Lower Optics	Upper Optics	Run Length	Wiring †	Voltage	Driver	Finish
2206	L		E	L	W					
MicroSquare II Suspended Direct/ Indirect	L LED	A 4000K B 3500K C 3000K	B 5900 lm/4ft (45% Down) C 4300 lm/4ft (60% Down) E 3300 lm/4ft (75% Down)	L Flush Silk Lens	W Asymmetric Wide-Throw Lens Q Symmetric Wide-Throw Lens	04 4' 06 6' 08 8' XX Total run length (4' increments)	7 1 cct Dimming G 2 cct Up/Dn Dimming K 2 cct Up/Dn Dimming + EM Wiring M 1 cct Dimming + EM Wiring	1 120V 2 277V 3 347V	E Philips Advance 0-10V (1% dim)	W Standard White T Titanium Silver B Black C Custom

* Nominal values within a range. Consult photometry data for CRI, color temp, lumens & distribution of chosen configuration.

† Not all wiring types are available with all configurations. Consult Philips Ledalite for a complete list of available options.

Mounting Hardware

Mount Type
Consult separate mounting spec sheet for mount type options:
Ledalite Suspended Mounting Options

Suspension Length
Distance from ceiling to top of luminaire in inches

Endcaps -



SC - Solid Cube
(standard)



SB - Sculpted
Black Acrylic



FM - Flush Maple



MicroSquare gen2 suspended

3300 lm/4ft, Direct/Indirect Asym

3000/3500/4000K

Optical System

Upper hemisphere: Light from a linear array of upward-facing LEDs is shaped into a homogeneous, wide-throw batwing distribution using either a freeform elliptical lens or an engineered light guide panel.

Lower hemisphere: Light from a linear array of downward-facing LEDs is diffused through a transmissive white engineered acrylic lens to deliver a highly uniform, luminous continuum without sacrificing efficacy.

Endcaps

Cubic aluminum endcaps with an internal draw-tight connector to minimize the joint line.

Three styles available: solid cube, sculpted black acrylic insert or flush maple insert.

Finish

Standard finish is a textured matte powder coat in white, black or titanium silver.

Housing

Precision aluminum extrusion, post painted.

Weight

Maximum: Surface & Suspended Direct or Indirect - 7.5 lb/4ft; Suspended D/I - 9.5 lb/4ft; Wall D/I - 13.8 lb/4ft

Electrical

Factory pre-wired to section ends with quick-wire connectors.

Standard Driver

Philips Advance Xitanium 0-10V, 1-100%. Class 2 rated output. Consult Philips Ledalite for other available drivers.

Lumen Maintenance

LEDs have been tested by the manufacturer in accordance with IESNA LM-80-08. At an ambient temperature of 25°C, the LED lumen maintenance expectation according to IES TM-21-11 Reported methodology is:

L₈₀ (12k) >72,000 hrs.

Source Color

LEDs rated for color rendering CRI >80, R9 >0 and fixture to fixture color accuracy within 2 SDCM.

Mounting

Suspended: Tamper-resistant aircraft cable gripper provides unlimited vertical adjustment. Aircraft cable, crimp and cable gripper are independently tested to meet stringent safety requirements.

Wall: A hidden steel rail and bracket system attaches the housing to the wall structure. Mount positioning is fully variable along the modules to accommodate site conditions, spaced up to 4½" on center and within 12" of an end or joint.

Surface: Fixture is mounted flush to surface using hidden brackets at ends and joints.

Approvals

Certified to UL, CSA and IES standards.

Certain suspended indirect/direct versions are

DesignLights Consortium® qualified. Please see the DLC

QPL list for exact catalog numbers

(www.designlights.org/QPL).

Warranty

Philips indoor professional luminaires 5 year LED

warranty: www.philips.com/warranties.

Environment

Rated for dry or damp locations in operating ambient

temperatures 0-40°C (32-104°F). Certain luminaire

components may be adversely affected by

contaminants. Damage caused by sulfur, chlorine,

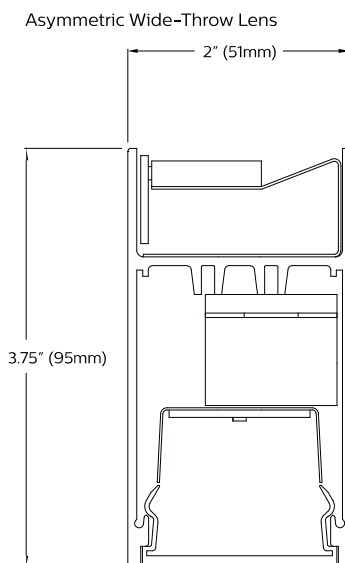
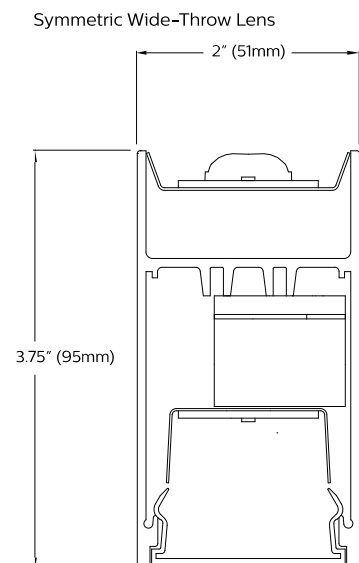
petroleum based solutions or other contaminants in the

area of operation are not covered under warranty. Not

suitable for natatorium environments.

Due to continuing product improvements, Philips Ledalite reserves the right to change the specifications without notice.

Dimensions - Cross Section



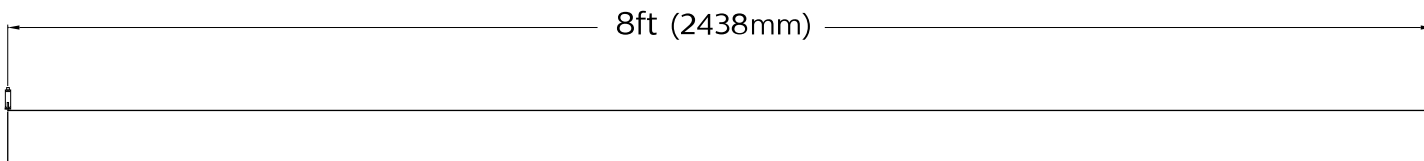
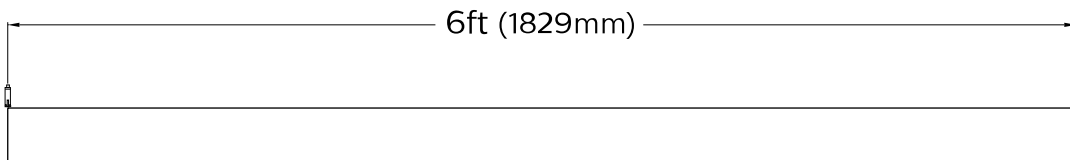
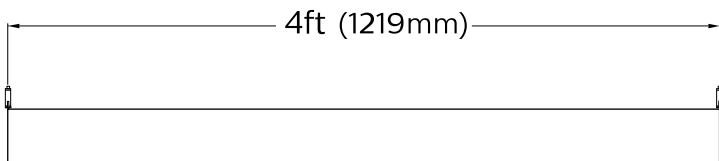
MicroSquare gen2 suspended

3300 lm/4ft, Direct/Indirect Asym

3000/3500/4000K

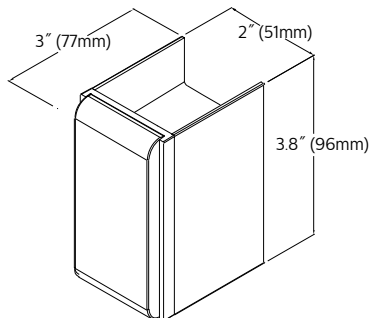
Dimensions - Modules

Suspended - Side view, no end caps

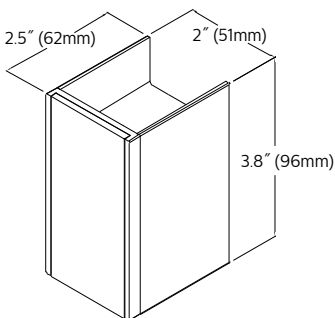


Optics and Styles

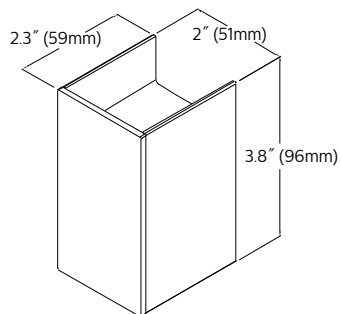
Endcap Details



Sculpted Black Acrylic



Flush Maple



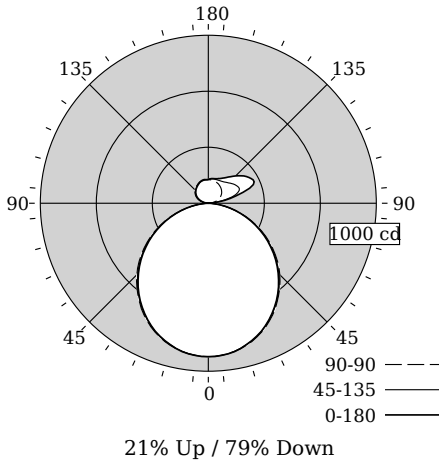
Solid Cube

MicroSquare gen2 suspended

3300 lm/4ft, Direct/Indirect Asym

3000/3500/4000K

Photometry @ CRI>80, 3500K



Candela Distribution

Vertical Angle	Horizontal Angle				Zonal Lumens	
	0	45	90	135		
0	913	913	913	913	0	
5	909	909	908	909	86	
15	872	872	876	872	246	
25	804	806	811	806	371	
35	707	710	715	710	444	
45	588	595	602	595	458	
55	453	460	468	460	410	
65	310	314	320	314	311	
75	166	167	168	167	177	
85	40	39	38	39	46	
90	0	0	0	0	0	
95	24	21	15	10	22	
105	172	147	48	43	38	90
115	301	204	75	71	67	130
125	277	193	96	92	89	126
135	230	171	111	107	105	108
145	187	156	122	121	118	87
155	162	150	131	134	130	65
165	151	148	137	141	141	41
175	146	145	140	141	141	14
180	141	141	141	141	141	0

Values per 4ft unit

Fixture photometry has been conducted in accordance with IESNA LM-79-08

IES files for this and other photometric options can be downloaded online at www.lightingproducts.philips.com

Coefficients of Utilization (%)

RCR	Ceiling										
	70	50	30	10	70	50	30	10	70	50	
0	114	114	114	114	109	109	109	99	99	99	79
1	104	99	95	92	99	95	91	87	84	82	66
2	95	87	80	75	90	83	77	76	71	67	55
3	86	76	68	62	82	73	66	67	61	56	46
4	79	67	59	52	75	65	57	59	53	48	40
5	72	60	51	45	69	58	50	53	47	41	34
6	67	54	45	39	64	52	44	48	41	36	30
7	62	49	40	34	59	47	39	44	37	32	26
8	58	44	36	31	55	43	35	40	33	28	24
9	54	41	33	27	51	39	32	37	30	26	21
10	50	37	30	25	48	36	29	34	27	23	19

Avg. Luminance (cd/m2)

Vertical Angle	Horizontal Angle		
	0	90	180
55	13597	14047	13597
65	12628	13036	12628
75	11042	11175	11042
85	7901	7506	7901

Distribution

Hemisphere	21% Up / 79% Down
Spacing Along (0°)	1.24
Spacing Across (90°)	1.25
Spacing at 180°	1.24

MicroSquare gen2 suspended

3300 lm/4ft, Direct/Indirect Asym

3000/3500/4000K

Optical Performance @ 120V

Nominal Spec:	3000K	3500K	4000K
Flux (lm)	3138	3231	3222
Efficacy (lm/W)	96.9	100.0	99.1
Power (W)	32.4	32.3	32.5
CCT (K)	3159	3558	4224
CRI	84	84	84
R9	10	9	14
x	0.4248	0.4022	0.3705
y	0.3973	0.3894	0.3684
Duv	-0.0010	0.0000	-0.0010

Electrical Performance @ CRI>80, 3500K

Input Voltage	120V	277V	347V
Input Power	32.3W	32.3W	33.6W
Input Current	0.27A	0.13A	0.10A
Power Factor	0.993	0.928	0.929
Total Harm. Distortion	10.7%	14.4%	14.0%

Tested values – contact technical support for rated values. Off-state power zero unless certain controls are specified.

