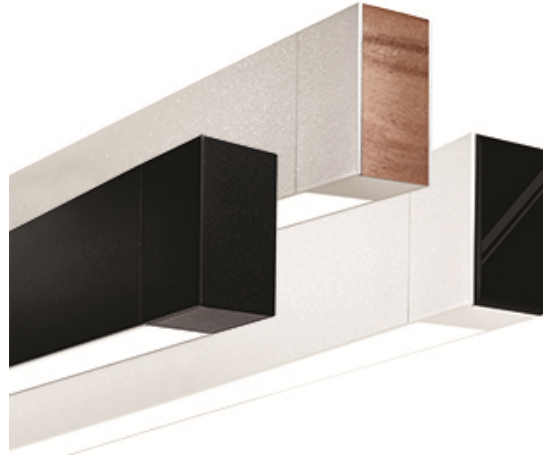




# Linear

## MicroSquare gen2 suspended

3300 lm/4ft, Direct/Indirect Sym  
3000/3500/4000K



Project: \_\_\_\_\_  
Spec Type: \_\_\_\_\_  
Catalog No: 2206LxELQ \_\_\_\_\_  
Qty \_\_\_\_\_  
Line Notes: \_\_\_\_\_

Philips Ledalite's MicroSquare gen2 has been re-engineered to furnish your space with the highest quality, discreet, narrow lines of continuous light. Elegant, low glare illumination with wide-throw upper and lower distributions improve visual comfort while allowing increased fixture spacing. This in turn, helps reduce initial and operating costs.

### Ordering guide

Product Type	Source	Color Temp *	Lumens *	Lower Optics	Upper Optics	Run Length	Wiring †	Voltage	Driver	Finish
2206	L		E	L	Q					
MicroSquare II Suspended Direct/ Indirect	L LED	A 4000K B 3500K C 3000K	B 5900 lm/4ft (45% Down) C 4300 lm/4ft (60% Down) E 3300 lm/4ft (75% Down)	L Flush Silk Lens	WAsymmetric Wide-Throw Lens Q Symmetric Wide-Throw Lens	04 4' 06 6' 08 8' XX Total run length (4' increments)	7 1 cct Dimming G 2 cct Up/Dn Dimming K 2 cct Up/Dn Dimming + EM Wiring M 1 cct Dimming + EM Wiring	1 120V 2 277V 3 347V	E Philips Advance 0-10V (1% dim)	W Standard White T Titanium Silver B Black C Custom

\* Nominal values within a range. Consult photometry data for CRI, color temp, lumens & distribution of chosen configuration.

† Not all wiring types are available with all configurations. Consult Philips Ledalite for a complete list of available options.

### Mounting Hardware

**Mount Type**  
Consult separate mounting spec sheet for mount type options:  
**Ledalite Suspended Mounting Options**

**Suspension Length**  
Distance from ceiling to top of luminaire in inches

### Endcaps -



SC - Solid Cube  
(standard)



SB - Sculpted  
Black Acrylic



FM - Flush Maple



# MicroSquare gen2 suspended

3300 lm/4ft, Direct/Indirect Sym

3000/3500/4000K

## Optical System

**Upper hemisphere:** Light from a linear array of upward-facing LEDs is shaped into a homogeneous, wide-throw batwing distribution using either a freeform elliptical lens or an engineered light guide panel.

**Lower hemisphere:** Light from a linear array of downward-facing LEDs is diffused through a transmissive white engineered acrylic lens to deliver a highly uniform, luminous continuum without sacrificing efficacy.

## Endcaps

Cubic aluminum endcaps with an internal draw-tight connector to minimize the joint line.

Three styles available: solid cube, sculpted black acrylic insert or flush maple insert.

## Finish

Standard finish is a textured matte powder coat in white, black or titanium silver.

## Housing

Precision aluminum extrusion, post painted.

## Weight

Maximum: Surface & Suspended Direct or Indirect - 7.5 lb/4ft; Suspended D/I - 9.5 lb/4ft; Wall D/I - 13.8 lb/4ft

## Electrical

Factory pre-wired to section ends with quick-wire connectors.

## Standard Driver

Philips Advance Xitanium 0-10V, 1-100%. Class 2 rated output. Consult Philips Ledalite for other available drivers.

## Lumen Maintenance

LEDs have been tested by the manufacturer in accordance with IESNA LM-80-08. At an ambient temperature of 25°C, the LED lumen maintenance expectation according to IES TM-21-11 Reported methodology is:

L<sub>80</sub> (12k) >72,000 hrs.

## Source Color

LEDs rated for color rendering CRI >80, R9 >0 and fixture to fixture color accuracy within 2 SDCM.

## Mounting

**Suspended:** Tamper-resistant aircraft cable gripper provides unlimited vertical adjustment. Aircraft cable, crimp and cable gripper are independently tested to meet stringent safety requirements.

**Wall:** A hidden steel rail and bracket system attaches the housing to the wall structure. Mount positioning is fully variable along the modules to accommodate site conditions, spaced up to 4½" on center and within 12" of an end or joint.

**Surface:** Fixture is mounted flush to surface using hidden brackets at ends and joints.

## Approvals

Certified to UL, CSA and IES standards.

Certain suspended indirect/direct versions are DesignLights Consortium® qualified. Please see the DLC QPL list for exact catalog numbers ([www.designlights.org/QPL](http://www.designlights.org/QPL)).

## Warranty

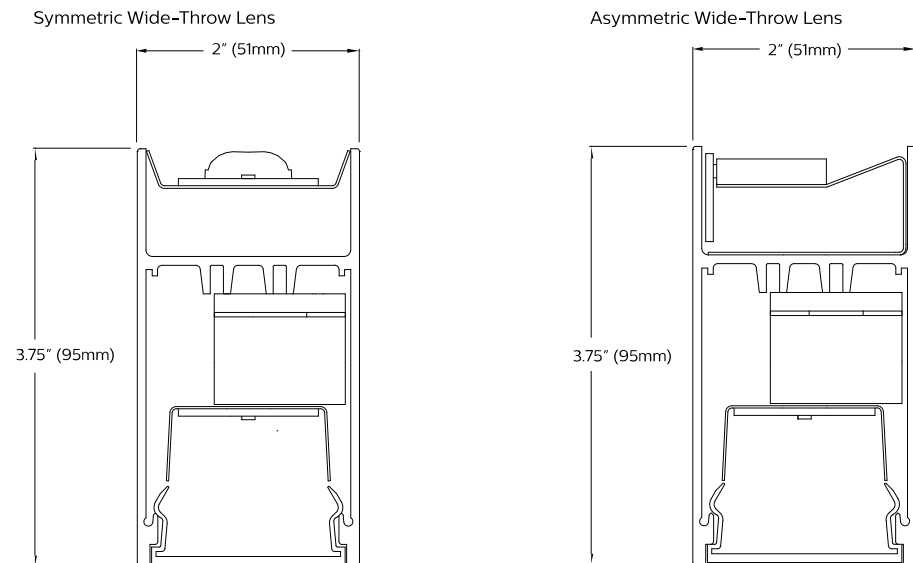
Philips indoor professional luminaires 5 year LED warranty: [www.philips.com/warranties](http://www.philips.com/warranties).

## Environment

Rated for dry or damp locations in operating ambient temperatures 0-40°C (32-104°F). Certain luminaire components may be adversely affected by contaminants. Damage caused by sulfur, chlorine, petroleum based solutions or other contaminants in the area of operation are not covered under warranty. Not suitable for natatorium environments.

Due to continuing product improvements, Philips Ledalite reserves the right to change the specifications without notice.

## Dimensions - Cross Section



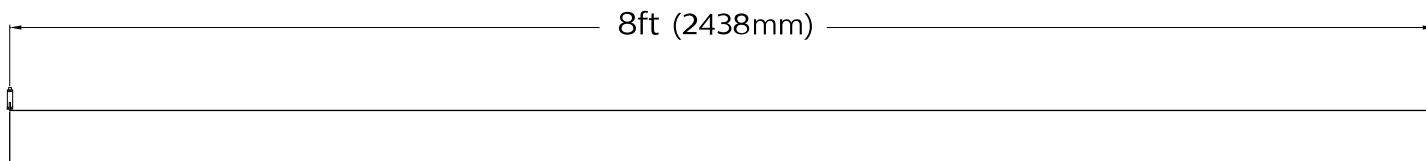
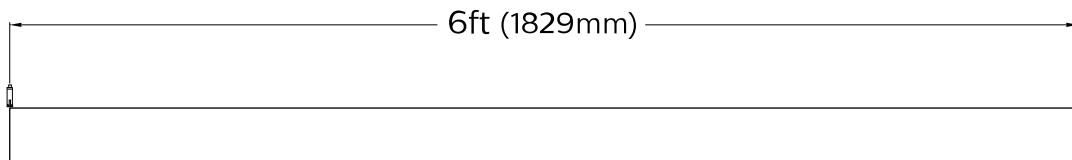
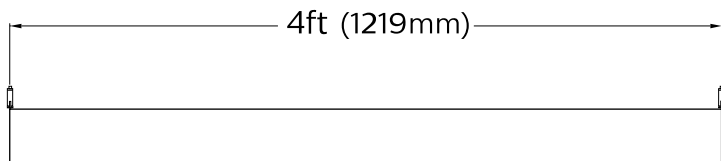
# MicroSquare gen2 suspended

3300 lm/4ft, Direct/Indirect Sym

3000/3500/4000K

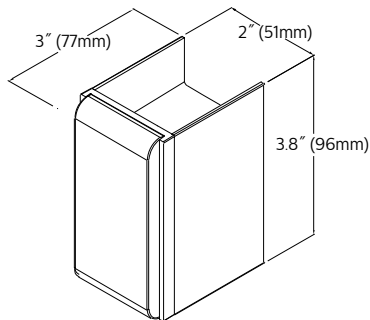
## Dimensions - Modules

Suspended - Side view, no end caps

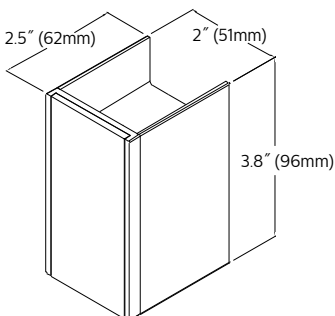


## Optics and Styles

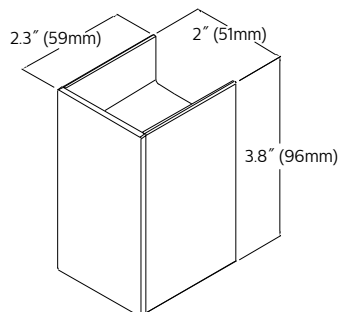
Endcap Details



Sculpted Black Acrylic



Flush Maple



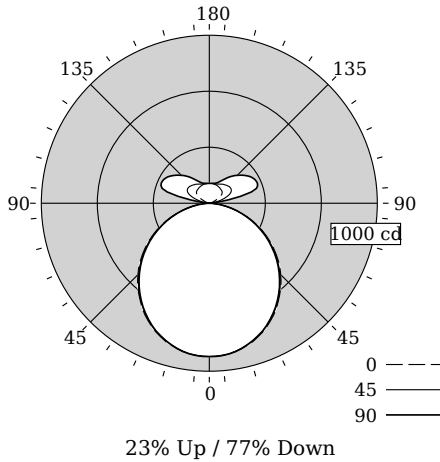
Solid Cube

# MicroSquare gen2 suspended

3300 lm/4ft, Direct/Indirect Sym

3000/3500/4000K

## Photometry @ CRI>80, 3500K



## Candela Distribution

Vertical Angle	Horizontal Angle				Zonal Lumens
	0	22.5	45	67.5	
0	913	913	913	913	0
5	908	909	909	909	86
15	876	871	872	874	246
25	811	803	806	805	371
35	715	709	710	708	444
45	602	594	595	591	458
55	468	461	460	455	411
65	320	316	314	311	311
75	168	166	167	167	177
85	38	39	39	40	46
90	0	0	0	0	0
95	4	7	10	15	17
105	14	23	71	198	260
115	41	60	137	250	309
125	90	105	156	240	282
135	105	114	149	206	235
145	110	116	138	169	184
155	114	116	126	136	141
165	117	117	119	122	123
175	118	118	118	118	11
180	118	118	118	118	0

Values per 4ft unit

Fixture photometry has been conducted in accordance with IESNA LM-79-08

IES files for this and other photometric options can be downloaded online at [www.lightingproducts.philips.com](http://www.lightingproducts.philips.com)

## Coefficients of Utilization (%)

RCR	Ceiling										
	70	50	30	10	70	50	30	10	70	50	
0	114	114	114	114	108	108	108	99	99	99	77
1	104	99	95	91	99	95	91	86	83	81	65
2	94	86	80	74	90	83	77	75	71	67	54
3	86	76	68	62	82	73	65	66	61	56	45
4	79	67	59	52	75	64	57	59	53	48	39
5	72	60	51	45	69	57	49	53	46	41	33
6	67	54	45	39	63	52	44	48	41	36	29
7	62	49	40	34	59	47	39	43	36	32	26
8	57	44	36	30	55	43	35	39	33	28	23
9	53	41	33	27	51	39	32	36	30	25	21
10	50	37	30	25	48	36	29	33	27	23	19

## Avg. Luminance (cd/m<sup>2</sup>)

Vertical Angle	Horizontal Angle		
	0	45	90
55	14036	13819	13603
65	13049	12797	12630
75	11168	11099	11031
85	7528	7731	7935

## Distribution

Hemisphere	23% Up / 77% Down
Spacing Along (0°)	1.25
Spacing Across (90°)	1.24

Philips Ledalite

**LED lighting facts**  
A Program of the U.S. DOE

---

**Light Output (Lumens)** **3297**

**Watts** **32.3**

**Lumens per Watt (Efficacy)** **102.07**

---

**Color Accuracy** **84**

Color Rendering Index (CRI)

---

**Light Color** **3558 (Bright White)**

Correlated Color Temperature (CCT)

2700K    3000K    4500K    6500K

---

All results are according to IESNA LM-79-2008: Approved Method for the Electrical and Photometric Testing of Solid-State Lighting. The U.S. Department of Energy (DOE) verifies product test data and results.

Visit [www.lightingfacts.com](http://www.lightingfacts.com) for the Label Reference Guide.

Registration Number: F46Z-SC806I (3/7/2017)  
Model Number: 22x6LBELQ  
Type: Luminaire - Linear

# MicroSquare gen2 suspended

3300 lm/4ft, Direct/Indirect Sym

3000/3500/4000K

## Optical Performance @ 120V

Nominal Spec:	3000K	3500K	4000K
Flux (lm)	3201	3297	3288
Efficacy (lm/W)	98.8	102.1	101.2
Power (W)	32.4	32.3	32.5
CCT (K)	3159	3558	4224
CRI	84	84	84
R9	10	9	14
x	0.4248	0.4022	0.3705
y	0.3973	0.3894	0.3684
Duv	-0.0010	0.0000	-0.0010

## Electrical Performance @ CRI>80, 3500K

Input Voltage	120V	277V	347V
Input Power	32.3W	32.3W	33.6W
Input Current	0.27A	0.13A	0.10A
Power Factor	0.993	0.928	0.929
Total Harm. Distortion	10.7%	14.4%	14.0%

Tested values – contact technical support for rated values. Off-state power zero unless certain controls are specified.

