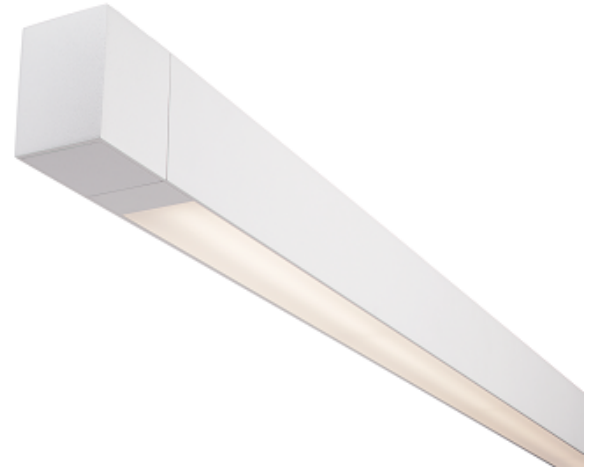


# Slender. Adaptable. Performance.

## MICROSQUARE WALL LED



DIRECT/INDIRECT, WHITE LENS - DUST COVER  
CRI >80 4000K, 5400 lm/4ft

Project:

Spec Type:

Catalog No: MQ26LAGxF

Qty

Line Notes:



### Ordering guide

Product Type	Source	Color Temp *	Lumens *	Lower Optics	Upper Optics	Run Length	Wiring †	Voltage	Driver	Finish
MQ26	L	A	G		F					
MicroSquare Wall Direct/Indirect	L LED	A 4000K B 3500K C 3000K	G 5400 lm/4ft K 3000 lm/4ft	F White Lens  C Continuous White Lens	F Dust Cover	04 4' 08 8' 12 12' XX (4' increments)  04 3'8" 08 7'4" 12 11' XX (3'8" increments)	1 1 cct 2 2 cct L/R or C/ O or 7 Up/Down 1 cct w/ Dimming B 2 cct A/B	1 120V 2 277V 3 347V	E Philips Advance  Other drivers available - consult factory	W Standard White A Aluminum B Black C Custom

\* Nominal values within a range. Consult ies file for exact color temp, lumens and distribution † Not all wiring types are available with all configurations. Consult factory for complete list of available options

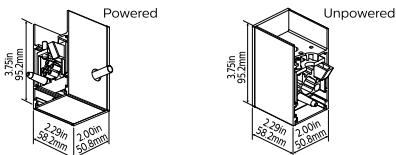
### Mounting Hardware

Wall Mount Type  
Consult separate mounting spec sheet for mount type options

Endcaps - Standard

Integrated Controls Please indicate with check mark.

No Options Available

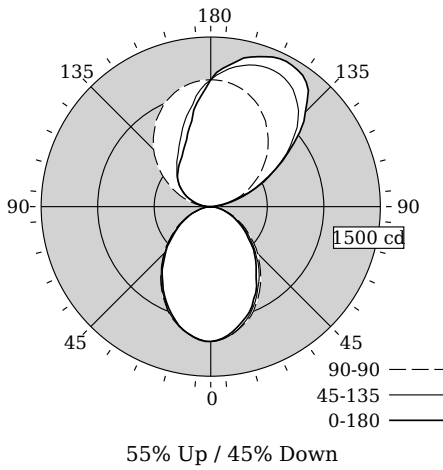


© 2014 Koninklijke Philips N.V. All rights reserved.  
Specifications are subject to change without notice.  
www.philips.com/luminaires

# MICROSQUARE WALL LED

DIRECT/INDIRECT, WHITE LENS - DUST COVER

## Photometry



<b>Total Output</b>	<b>5640 lm</b>
<b>Efficacy</b>	<b>103.9 lm/W</b>
<b>CCT</b>	<b>3999K</b>
<b>CRI</b>	<b>82</b>
<b>R9</b>	<b>9</b>
<b>Distribution</b>	<b>55% Up / 45% Down</b>
<b>Spacing Criteria (0/90/180°)</b>	<b>1.05/1.10/1.08</b>
Meets RP-1-04 recommendations for VDT-Normal spaces	

Values per 4ft unit

Fixture photometry has been conducted by an NVLAP accredited testing laboratory in accordance with IESNA LM-79-08

IES files for this and other photometric options can be downloaded online at [www.lightingproducts.philips.com](http://www.lightingproducts.philips.com)

### Candela Distribution

Vertical Angle	Horizontal Angle					Zonal Lumens
	0	22.5	45	67.5	90	
0	1193	1193	1193	1193	1193	0
5	1170	1177	1177	1180	1181	111
15	1058	1081	1089	1094	1088	306
25	899	929	949	940	929	434
35	700	747	771	767	748	476
45	536	555	587	578	562	441
55	361	384	403	398	381	354
65	223	233	247	243	233	240
75	112	106	115	110	110	122
85	23	20	28	26	25	32
90	0	0	0	0	0	0
95	23	43	75	57	55	58
105	200	245	210	151	149	201
115	497	524	373	247	252	366
125	836	820	545	340	343	504
135	1183	1092	715	423	414	578
145	1418	1268	859	516	476	558
155	1444	1326	991	642	563	455
165	1370	1298	1076	827	726	299
175	1228	1195	1117	1039	983	105
180	1122	1122	1122	1122	1122	0

### Coefficients of Utilization (%)

RCR	Ceiling										
	70	80	30	10	70	50	30	50	30	10	0
0	106	106	106	106	97	97	97	80	80	80	45
1	97	93	89	86	89	85	82	71	69	67	38
2	89	81	76	71	81	75	70	63	59	56	33
3	81	72	65	59	74	66	60	56	51	47	28
4	74	64	56	50	68	59	52	50	45	41	24
5	68	57	49	43	62	53	46	44	39	35	21
6	63	51	43	38	58	47	40	40	35	31	19
7	58	46	39	33	53	43	36	37	31	27	17
8	54	42	35	29	50	39	32	33	28	24	15
9	50	39	31	26	46	36	29	31	25	22	14
10	47	35	28	24	43	33	27	28	23	20	13

### Avg. Luminance (cd/m<sup>2</sup>)

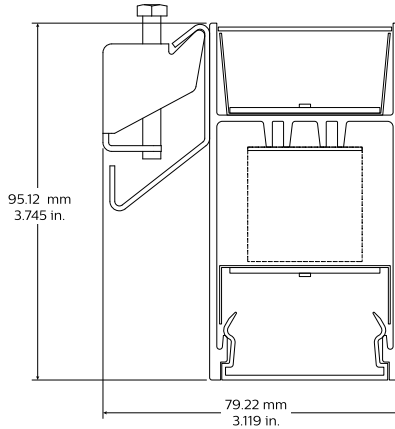
Vertical Angle	Horizontal Angle		
	0	45	90
55	11801	13174	12452
65	9891	10937	10343
75	8083	8293	7990
85	4888	6041	5396

## Electrical Specifications

<b>Input Voltage</b>	<b>120V</b>	<b>277V</b>
<b>Input Power</b>	<b>54.3W</b>	<b>53.6W</b>
<b>Input Current</b>	<b>0.45A</b>	<b>0.2A</b>
<b>Power Factor</b>	<b>0.997</b>	<b>0.97</b>
<b>Total Harm. Distortion</b>	<b>6.1%</b>	<b>12.2%</b>
Tested values – contact technical support for rated values. Off-state power zero unless certain controls are specified.		

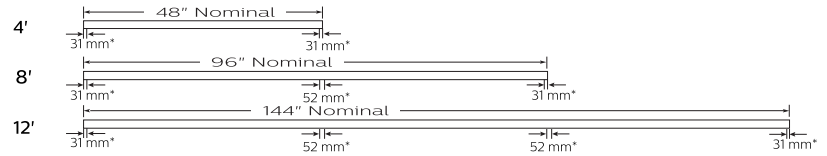
DIRECT/INDIRECT, WHITE LENS - DUST COVER

## Options and Details



### Modules

Standard modules mount to mount dimensions.



Continuous lens modules mount to mount dimensions.



Note: Refer to installation instructions for exact mount.

\* In-Run lens break = 52 mm & lens break at end = 31 mm

## Optics & Styles



Continuous style lens at end (C)  
(without bottom plate in 44" increments)

Continuous style lens at joint (C)  
(without bottom plate in 44" increments)

Standard style lens at end (F)  
(31 mm lens break at each end)

Standard style lens at joint (F)  
(62 mm lens break at each joint)

### Housing

High purity extruded aluminum housing. Contains some recycled material.

### Optical System

In the lower hemisphere, white light from downward facing LED sources is directed towards the optical aperture using highly efficient Miro silver reflectors and diffused by a matte frost acrylic extruded lens. In the upper hemisphere, a smooth light distribution is achieved by a combination of the integral LED package optics and an acrylic diffuser / dust cover.

### Standard Driver

Dimming 0-10V, 10-100%, output is Class 2 rated.  
Important: Fixture wired for non-dim operation unless dimming is specified.

### Lumen Maintenance

Lumen maintenance of the LEDs has been tested by the manufacturer in accordance with IESNA LM-80-08. At an ambient temperature of 25°C, the LED lumen maintenance expectation is:  $L_{80}$  (12k) 60,000h according to IES TM-21-11 Addendum A

Reported methodology  $L_{80}$  (6k) 72,000h according to IES TM-21-11 Projected methodology

### Electrical

Factory pre-wired to section ends with quick-wire connectors.

### Mounting

Fixed position mounts supplied standard at ends. Aircraft cable gripper provides infinite vertical adjustment capability. Aircraft cable, crimp and cable gripper independently tested to meet stringent safety requirements.

### Joints

Self-aligning joining system with hands-free pre-joining wire access.

### Endcaps

Each row is completed by a die-cast aluminum end cap. An internal draw-tight connector minimizes the joint line.

### Approvals

Complies to US and Canadian Safety Standards. UL or ETL listed and suitable for damp locations.

### Finish

High quality powder coated, available in matte White, Aluminum or Black. Other factory and custom colors available on request.

### Environment

Rated for dry or damp locations in operating ambient temperatures 0-40°C (32-104°F). Certain luminaire components may be adversely affected by contaminants. Damage caused by sulfur, chlorine, petroleum based solutions or other contaminants in the area of operation are not covered under warranty. Not suitable for natatorium environments.

Due to continuing product improvements, Philips Ledalite reserves the right to change the specifications without notice.



©2014 Koninklijke Philips N.V. All rights reserved.  
Specifications are subject to change without notice.  
[www.philips.com/luminaires](http://www.philips.com/luminaires)

MSQWall\_40K54lm\_xF.pdf 02.16 page 3 of 3

Philips Lighting  
North America Corporation  
200 Franklin Square Drive  
Somerset, NJ 08873  
Phone: 855-486-2216

Philips Lighting Company  
281 Hillmount Road  
Markham ON, Canada L6C 2S3  
Phone: 800-668-9008