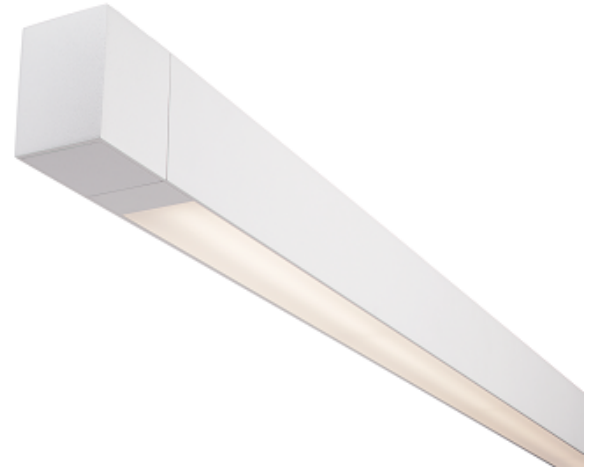


# Slender. Adaptable. Performance.

## MICROSQUARE WALL LED



DIRECT/INDIRECT, WHITE LENS - DUST COVER  
CRI >80 4000K, 3000 lm/4ft

Project:

Spec Type:

Catalog No: MQ26LAKxF

Qty

Line Notes:



### Ordering guide

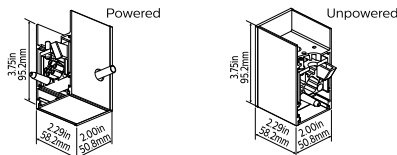
Product Type	Source	Color Temp *	Lumens *	Lower Optics	Upper Optics	Run Length	Wiring †	Voltage	Driver	Finish
MQ26	L	A	K		F					
MicroSquare Wall Direct/Indirect	L LED	A 4000K B 3500K C 3000K	G 5400 lm/4ft K 3000 lm/4ft	F White Lens  C Continuous White Lens	F Dust Cover	04 4' 08 8' 12 12' XX (4' increments)  04 3'8" 08 7'4" 12 11' XX (3'8" increments)	1 1 cct 2 2 cct L/R or C/ O or 7 Up/Down 1 cct w/ Dimming B 2 cct A/B	1 120V 2 277V 3 347V	E Philips Advance  Other drivers available - consult factory	W Standard White A Aluminum B Black C Custom

\* Nominal values within a range. Consult ies file for exact color temp, lumens and distribution † Not all wiring types are available with all configurations. Consult factory for complete list of available options

### Mounting Hardware

Wall Mount Type  
Consult separate mounting spec sheet for mount type options

Endcaps - Standard



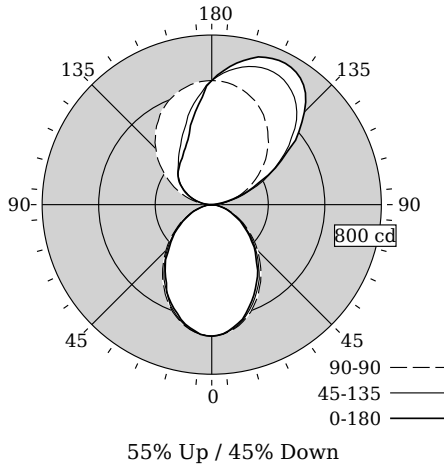
Integrated Controls Please indicate with check mark.

No Options Available

© 2014 Koninklijke Philips N.V. All rights reserved.  
Specifications are subject to change without notice.  
www.philips.com/luminaires

DIRECT/INDIRECT, WHITE LENS - DUST COVER

## Photometry



Total Output	2936 lm
Efficacy	109.6 lm/W
CCT	3999K
CRI	82
R9	9
Distribution	55% Up / 45% Down
Spacing Criteria (0/90/180°)	1.04/1.10/1.07
Meets RP-1-04 recommendations for VDT-Intensive spaces	

Values per 4ft unit

Fixture photometry has been conducted by an NVLAP accredited testing laboratory in accordance with IESNA LM-79-08

IES files for this and other photometric options can be downloaded online at [www.lightingproducts.philips.com](http://www.lightingproducts.philips.com)

### Candela Distribution

Vertical Angle	Horizontal Angle					Zonal Lumens
	0	22.5	45	67.5	90	
0	621	621	621	621	621	0
5	612	612	614	614	614	58
15	560	566	571	567	560	159
25	470	483	497	485	482	225
35	378	389	404	393	383	247
45	283	291	305	296	282	229
55	189	199	209	202	198	184
65	113	124	125	124	119	124
75	57	58	60	56	64	64
85	14	14	16	12	12	17
90	0	0	0	0	0	0
95	9	22	39	31	29	29
105	106	127	111	78	83	105
115	245	271	196	130	137	191
125	435	420	282	184	187	264
135	618	566	372	225	224	302
145	729	655	454	273	253	291
155	751	690	517	338	295	237
165	714	675	560	434	387	156
175	634	623	583	533	509	55
180	585	585	585	585	585	0

### Coefficients of Utilization (%)

RCR	Ceiling: Wall:										
	70	50	30	10	70	50	30	50	30	10	0
0	106	106	106	106	97	97	97	80	80	80	45
1	97	93	89	86	89	85	82	71	69	67	38
2	89	81	76	71	81	75	70	63	59	56	33
3	81	72	65	59	74	66	60	55	51	47	28
4	74	64	56	50	68	59	52	49	45	41	24
5	68	57	49	43	62	53	46	44	39	35	21
6	63	51	43	38	58	47	40	40	35	31	19
7	58	46	39	33	53	43	36	36	31	27	17
8	54	42	35	29	50	39	32	32	28	24	15
9	50	39	31	26	46	36	29	31	25	22	14
10	47	35	28	24	43	33	27	28	23	20	13

### Avg. Luminance (cd/m<sup>2</sup>)

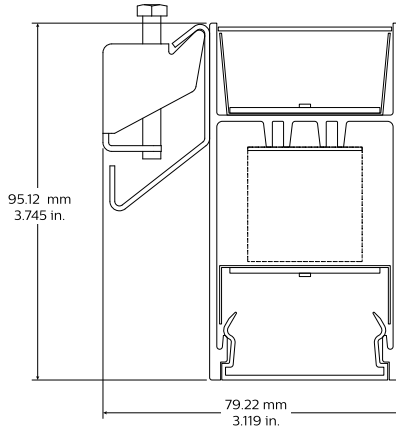
Vertical Angle	Horizontal Angle		
	0	45	90
55	6188	6818	6464
65	5007	5521	5255
75	4139	4348	4061
85	2951	3390	2606

## Electrical Specifications

Input Voltage	120V	277V
Input Power	26.8W	26.5W
Input Current	0.22A	0.1A
Power Factor	0.996	0.964
Total Harm. Distortion	7.5%	13.5%
Tested values – contact technical support for rated values. Off-state power zero unless certain controls are specified.		

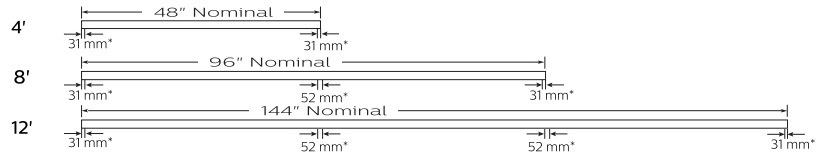
DIRECT/INDIRECT, WHITE LENS - DUST COVER

## Options and Details



### Modules

Standard modules mount to mount dimensions.



Continuous lens modules mount to mount dimensions.



Note: Refer to installation instructions for exact mount.

\* In-Run lens break = 52 mm & lens break at end = 31 mm

## Optics & Styles



Continuous style lens at end (C)  
(without bottom plate in 44" increments)

Continuous style lens at joint (C)  
(without bottom plate in 44" increments)

Standard style lens at end (F)  
(31 mm lens break at each end)

Standard style lens at joint (F)  
(62 mm lens break at each joint)

### Housing

High purity extruded aluminum housing. Contains some recycled material.

### Optical System

In the lower hemisphere, white light from downward facing LED sources is directed towards the optical aperture using highly efficient Miro silver reflectors and diffused by a matte frost acrylic extruded lens. In the upper hemisphere, a smooth light distribution is achieved by a combination of the integral LED package optics and an acrylic diffuser / dust cover.

### Standard Driver

Dimming 0-10V, 10-100%, output is Class 2 rated.  
Important: Fixture wired for non-dim operation unless dimming is specified.

### Lumen Maintenance

Lumen maintenance of the LEDs has been tested by the manufacturer in accordance with IESNA LM-80-08. At an ambient temperature of 25°C, the LED lumen maintenance expectation is:  $L_{80}$  (12k) 60,000h according to IES TM-21-11 Addendum A

Reported methodology

$L_{80}$  (6k) 72,000h according to IES TM-21-11 Projected methodology

### Electrical

Factory pre-wired to section ends with quick-wire connectors.

### Mounting

Fixed position mounts supplied standard at ends. Aircraft cable gripper provides infinite vertical adjustment capability. Aircraft cable, crimp and cable gripper independently tested to meet stringent safety requirements.

### Joints

Self-aligning joining system with hands-free pre-joining wire access.

### Endcaps

Each row is completed by a die-cast aluminum end cap. An internal draw-tight connector minimizes the joint line.

### Approvals

Complies to US and Canadian Safety Standards. UL or ETL listed and suitable for damp locations.

### Finish

High quality powder coated, available in matte White, Aluminum or Black. Other factory and custom colors available on request.

### Environment

Rated for dry or damp locations in operating ambient temperatures 0-40°C (32-104°F). Certain luminaire components may be adversely affected by contaminants. Damage caused by sulfur, chlorine, petroleum based solutions or other contaminants in the area of operation are not covered under warranty. Not suitable for natatorium environments.

Due to continuing product improvements, Philips Ledalite reserves the right to change the specifications without notice.



©2014 Koninklijke Philips N.V. All rights reserved.  
Specifications are subject to change without notice.  
[www.philips.com/luminaires](http://www.philips.com/luminaires)

MSQWall\_40K30lm\_xF.pdf 02.16 page 3 of 3

Philips Lighting  
North America Corporation  
200 Franklin Square Drive  
Somerset, NJ 08873  
Phone: 855-486-2216

Philips Lighting Company  
281 Hillmount Road  
Markham ON, Canada L6C 2S3  
Phone: 800-668-9008