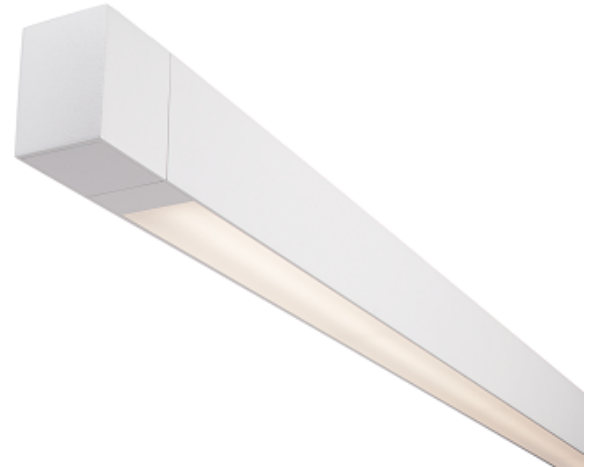


Slender. Adaptable. Performance.

MICROSQUARE WALL LED



DIRECT/INDIRECT, WHITE LENS - DUST COVER
CRI >80 3500K, 5400 lm/4ft

Project:

Spec Type:

Catalog No: MQ26LBGxF

Qty

Line Notes:



Ordering guide

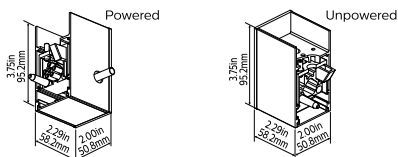
Product Type	Source	Color Temp *	Lumens *	Lower Optics	Upper Optics	Run Length	Wiring †	Voltage	Driver	Finish
MQ26	L	B	G		F					
MicroSquare Wall Direct/Indirect	L LED	A 4000K B 3500K C 3000K	G 5400 lm/4ft K 3000 lm/4ft	F White Lens C Continuous White Lens	F Dust Cover	04 4' 08 8' 12 12' XX (4' increments) 04 3'8" 08 7'4" 12 11' XX (3'8" increments)	1 1 cct 2 2 cct L/R or C/ O or 7 Up/Down 1 cct w/ Dimming B 2 cct A/B	1 120V 2 277V 3 347V	E Philips Advance Other drivers available - consult factory	W Standard White A Aluminum B Black C Custom

* Nominal values within a range. Consult ies file for exact color temp, lumens and distribution † Not all wiring types are available with all configurations. Consult factory for complete list of available options

Mounting Hardware

Wall Mount Type
Consult separate mounting spec sheet for mount type options

Endcaps - Standard

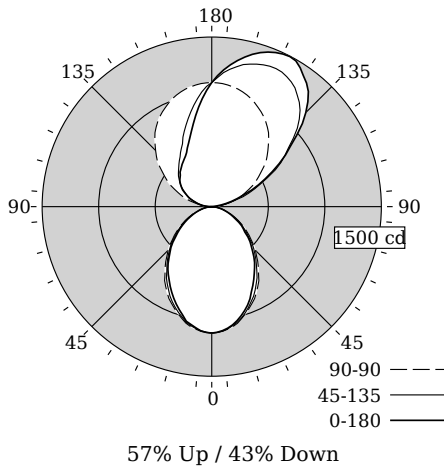


Integrated Controls Please indicate with check mark.

No Options Available

DIRECT/INDIRECT, WHITE LENS - DUST COVER

Photometry



Total Output	5389 lm
Efficacy	99.2 lm/W
CCT	3400K
CRI	82
R9	6
Distribution	57% Up / 43% Down
Spacing Criteria (0/90/180°)	1.02/1.10/1.03
Meets RP-1-04 recommendations for VDT-Normal spaces	

Values per 4ft unit

Fixture photometry has been conducted by an NVLAP accredited testing laboratory in accordance with IESNA LM-79-08

IES files for this and other photometric options can be downloaded online at www.lightingproducts.philips.com

Candela Distribution

Vertical Angle	Horizontal Angle					Zonal Lumens
	0	22.5	45	67.5	90	
0	1118	1118	1118	1118	1118	0
5	1101	1105	1107	1101	1103	104
15	1000	1019	1024	1011	993	286
25	830	875	897	874	837	403
35	660	695	721	692	676	441
45	494	525	547	524	511	409
55	341	358	375	362	345	328
65	207	223	226	222	206	222
75	106	105	108	101	101	116
85	25	23	27	21	21	30
90	0	0	0	0	0	0
95	16	43	59	58	57	53
105	183	205	204	149	147	189
115	457	476	363	245	246	349
125	796	791	532	337	335	489
135	1176	1095	702	417	393	567
145	1413	1283	858	499	457	553
155	1489	1347	969	612	527	452
165	1395	1305	1052	806	693	295
175	1215	1190	1093	1018	959	103
180	1098	1098	1098	1098	1098	0

Coefficients of Utilization (%)

RCR	Ceiling: Wall:										
	70	80	30	10	70	50	30	50	30	10	0
0	106	106	106	106	97	97	97	80	80	80	43
1	97	93	89	85	88	85	82	70	68	66	37
2	88	81	75	70	81	75	69	62	58	55	32
3	81	72	65	59	74	66	60	55	51	47	27
4	74	64	56	50	68	59	52	49	44	40	24
5	68	57	49	43	62	52	46	44	39	35	21
6	63	51	43	38	57	47	40	40	35	31	19
7	58	46	38	33	53	43	36	36	31	27	17
8	54	42	34	29	49	39	32	33	28	24	15
9	50	38	31	26	46	36	29	30	25	22	14
10	47	35	28	23	43	33	26	28	23	20	12

Avg. Luminance (cd/m²)

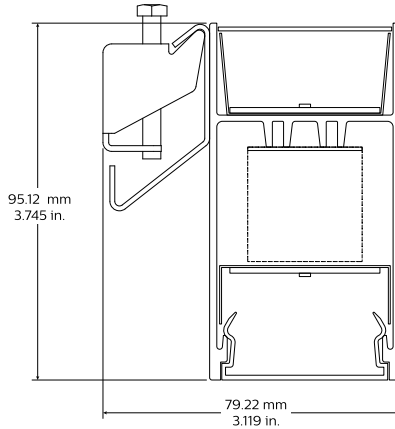
Vertical Angle	Horizontal Angle		
	0	45	90
55	11124	12260	11265
65	9187	10034	9121
75	7656	7788	7299
85	5373	5834	4496

Electrical Specifications

Input Voltage	120V	277V
Input Power	54.3W	53.6W
Input Current	0.45A	0.2A
Power Factor	0.997	0.97
Total Harm. Distortion	6.1%	12.2%
Tested values – contact technical support for rated values. Off-state power zero unless certain controls are specified.		

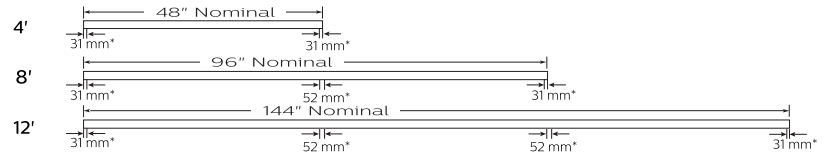
DIRECT/INDIRECT, WHITE LENS - DUST COVER

Options and Details



Modules

Standard modules mount to mount dimensions.



Continuous lens modules mount to mount dimensions.



Note: Refer to installation instructions for exact mount.

* In-Run lens break = 52 mm & lens break at end = 31 mm

Optics & Styles



Continuous style lens at end (C)
(without bottom plate in 44" increments)

Continuous style lens at joint (C)
(without bottom plate in 44" increments)

Standard style lens at end (F)
(31 mm lens break at each end)

Standard style lens at joint (F)
(62 mm lens break at each joint)

Housing

High purity extruded aluminum housing. Contains some recycled material.

Optical System

In the lower hemisphere, white light from downward facing LED sources is directed towards the optical aperture using highly efficient Miro silver reflectors and diffused by a matte frost acrylic extruded lens. In the upper hemisphere, a smooth light distribution is achieved by a combination of the integral LED package optics and an acrylic diffuser / dust cover.

Standard Driver

Dimming 0-10V, 10-100%, output is Class 2 rated.
Important: Fixture wired for non-dim operation unless dimming is specified.

Lumen Maintenance

Lumen maintenance of the LEDs has been tested by the manufacturer in accordance with IESNA LM-80-08. At an ambient temperature of 25°C, the LED lumen maintenance expectation is: L_{80} (12k) 60,000h according to IES TM-21-11 Addendum A

Reported methodology L_{80} (6k) 72,000h according to IES TM-21-11 Projected methodology

Electrical

Factory pre-wired to section ends with quick-wire connectors.

Mounting

Fixed position mounts supplied standard at ends. Aircraft cable gripper provides infinite vertical adjustment capability. Aircraft cable, crimp and cable gripper independently tested to meet stringent safety requirements.

Joints

Self-aligning joining system with hands-free pre-joining wire access.

Endcaps

Each row is completed by a die-cast aluminum end cap. An internal draw-tight connector minimizes the joint line.

Approvals

Complies to US and Canadian Safety Standards. UL or ETL listed and suitable for damp locations.

Finish

High quality powder coated, available in matte White, Aluminum or Black. Other factory and custom colors available on request.

Environment

Rated for dry or damp locations in operating ambient temperatures 0-40°C (32-104°F). Certain luminaire components may be adversely affected by contaminants. Damage caused by sulfur, chlorine, petroleum based solutions or other contaminants in the area of operation are not covered under warranty. Not suitable for natatorium environments.

Due to continuing product improvements, Philips Ledalite reserves the right to change the specifications without notice.



©2014 Koninklijke Philips N.V. All rights reserved.
Specifications are subject to change without notice.
www.philips.com/luminaires

MSQWall_35K54lm_xF.pdf 02.16 page 3 of 3

Philips Lighting
North America Corporation
200 Franklin Square Drive
Somerset, NJ 08873
Phone: 855-486-2216

Philips Lighting Company
281 Hillmount Road
Markham ON, Canada L6C 2S3
Phone: 800-668-9008