

Slender. Adaptable. Performance.

MICROSQUARE
WALL LED

INDIRECT, DUST COVER
CRI >80 3500K, 2900 lm/4ft

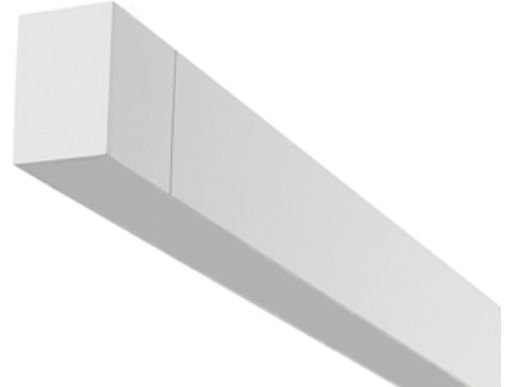
Project:

Spec Type:

Catalog No: MQ23LBGNF

Qty

Line Notes:



Ordering guide

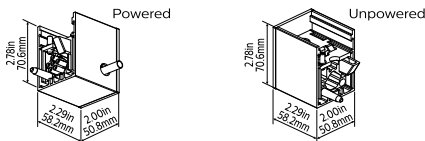
Product Type	Source	Color Temp *	Lumens *	Lower Optics	Upper Optics	Run Length	Wiring †	Voltage	Driver	Finish
MQ23	L	B	G	N	F					
MicroSquare Wall Indirect	L LED	A 4000K B 3500K C 3000K	G 2900 lm/4ft K 1500 lm/4ft	N Solid Housing	F Dust Cover	04 4' 08 8' 12 12' XX Total run length (4' increments)	1 1 cct 7 1 cct w/ Dimming B 2 cct A/B	1 120V 2 277V 3 347V	E Philips Advance Other drivers available - consult factory	W Standard White A Aluminum B Black C Custom

* Nominal values within a range. Consult ies file for exact color temp, lumens and distribution † Not all wiring types are available with all configurations. Consult factory for complete list of available options

Mounting Hardware

Wall Mount Type
Consult separate mounting spec sheet for mount type options

Endcaps - Standard



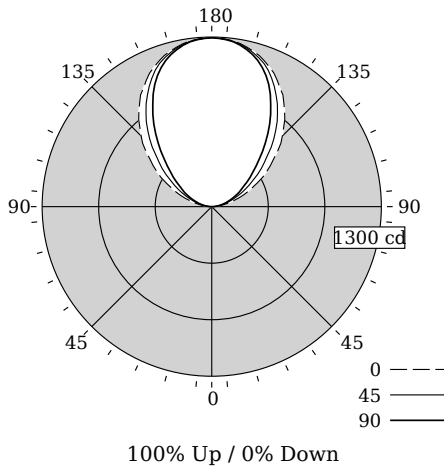
Integrated Controls Please indicate with check mark.

No Options Available

© 2014 Koninklijke Philips N.V. All rights reserved.
Specifications are subject to change without notice.
www.philips.com/luminaires

INDIRECT, DUST COVER

Photometry



Total Output	2805 lm
Efficiency	102.0 lm/W
CCT	3349K
CRI	82
R9	5
Distribution	100% Up / 0% Down
Peak/Zenith Ratio	1.00
Peak Output	1294 cd @ 180°
Meets RP-1-04 recommendations for VDT-Intensive spaces	

Values per 4ft unit

Fixture photometry has been conducted by an NVLAP accredited testing laboratory in accordance with IESNA LM-79-08

IES files for this and other photometric options can be downloaded online at www.lightingproducts.philips.com

Candela Distribution

Vertical Angle	Horizontal Angle				Zonal Lumens
	0	22.5	45	67.5	
0	0	0	0	0	0
5	0	0	0	0	0
15	0	0	0	0	0
25	0	0	0	0	0
35	0	0	0	0	0
45	0	0	0	0	0
55	0	0	0	0	0
65	0	0	0	0	0
75	0	0	0	0	0
85	0	0	0	0	0
90	0	0	0	0	0
95	48	35	35	30	34
105	170	148	125	103	108
115	342	304	254	206	204
125	549	507	427	345	330
135	765	706	645	537	514
145	964	927	878	783	774
155	1129	1107	1086	1034	1034
165	1233	1225	1223	1202	1207
175	1287	1285	1287	1283	1284
180	1294	1294	1294	1294	1294

Coefficients of Utilization (%)

RCR	Ceiling: 80				70				50				0			
	70	50	30	10	70	50	30	10	50	30	10	0	30	10	0	
0	95	95	95	95	81	81	81	81	56	56	56	56	0	0	0	
1	87	83	79	76	74	71	68	68	48	47	45	45	0	0	0	
2	79	72	66	62	67	62	57	57	42	40	37	37	0	0	0	
3	72	63	57	51	61	54	49	49	37	34	31	31	0	0	0	
4	65	56	48	43	56	48	42	42	33	29	26	26	0	0	0	
5	60	49	42	36	51	42	36	36	29	25	22	22	0	0	0	
6	55	44	36	31	47	38	32	32	26	22	19	19	0	0	0	
7	50	39	32	27	43	34	28	28	23	19	17	17	0	0	0	
8	47	35	28	23	40	30	24	24	21	17	14	14	0	0	0	
9	43	32	25	20	37	27	22	22	19	15	13	13	0	0	0	
10	40	29	22	18	34	25	19	19	17	14	11	11	0	0	0	

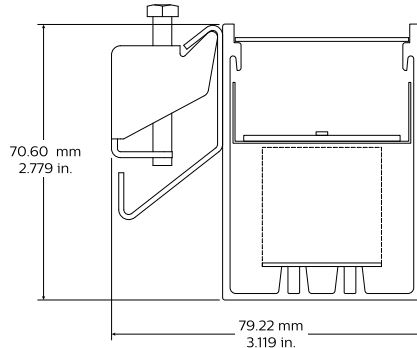
Avg. Luminance (cd/m²)

Vertical Angle	Horizontal Angle		
	0	45	90
55	0	0	0
65	0	0	0
75	0	0	0
85	0	0	0

Electrical Specifications

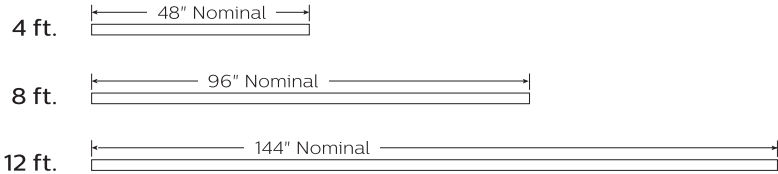
Input Voltage	120V	277V
Input Power	27.5W	27.2W
Input Current	0.23A	0.1A
Power Factor	0.996	0.964
Total Harm. Distortion	7.5%	13.5%
Tested values – contact technical support for rated values. Off-state power zero unless certain controls are specified.		

Options and Details



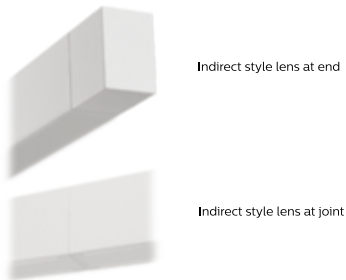
Modules

Standard modules mount to mount dimensions.



Note: Refer to installation instructions for exact mount.

Optics & Styles



Housing

High purity extruded aluminum housing. Contains some recycled material.

Optical System

In the lower hemisphere, white light from downward facing LED sources is directed towards the optical aperture using highly efficient Miro silver reflectors and diffused by a matte frost acrylic extruded lens. In the upper hemisphere, a smooth light distribution is achieved by a combination of the integral LED package optics and an acrylic diffuser / dust cover.

Standard Driver

Dimming 0-10V, 10-100%, output is Class 2 rated. Important: Fixture wired for non-dim operation unless dimming is specified.

Lumen Maintenance

Lumen maintenance of the LEDs has been tested by the manufacturer in accordance with IESNA LM-80-08. At an ambient temperature of 25°C, the LED lumen maintenance expectation is: L_{80} (12k) 60,000h according to IES TM-21-11 Addendum A Reported methodology L_{80} (6k) 72,000h according to IES TM-21-11 Projected methodology

Electrical

Factory pre-wired to section ends with quick-wire connectors.

Mounting

Fixed position mounts supplied standard at ends. Aircraft cable gripper provides infinite vertical adjustment capability. Aircraft cable, crimp and cable gripper independently tested to meet stringent safety requirements.

Joints

Self-aligning joining system with hands-free pre-joining wire access.

Endcaps

Each row is completed by a die-cast aluminum end cap. An internal draw-tight connector minimizes the joint line.

Approvals

Complies to US and Canadian Safety Standards. UL or ETL listed and suitable for damp locations.

Finish

High quality powder coated, available in matte White, Aluminum or Black. Other factory and custom colors available on request.

Environment

Rated for dry or damp locations in operating ambient temperatures 0-40°C (32-104°F). Certain luminaire components may be adversely affected by contaminants. Damage caused by sulfur, chlorine, petroleum based solutions or other contaminants in the area of operation are not covered under warranty. Not suitable for natatorium environments.

Due to continuing product improvements, Philips Ledalite reserves the right to change the specifications without notice.

