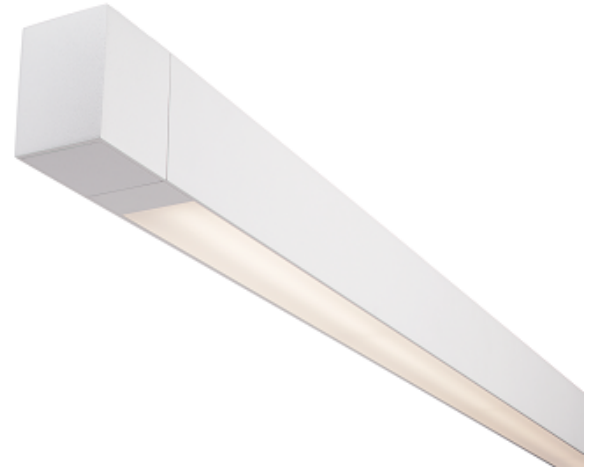


# Slender. Adaptable. Performance.

## MICROSQUARE WALL LED



DIRECT/INDIRECT, WHITE LENS - DUST COVER  
CRI >80 3000K, 5400 lm/4ft

**Project:**

---

**Spec Type:**

---

**Catalog No:** MQ26LCGxF

---

**Qty**

---

**Line Notes:**



### Ordering guide

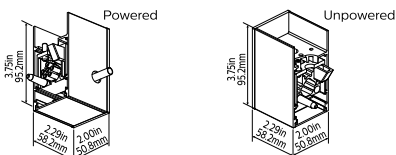
Product Type	Source	Color Temp *	Lumens *	Lower Optics	Upper Optics	Run Length	Wiring †	Voltage	Driver	Finish
MQ26	L	C	G		F					
MicroSquare Wall Direct/Indirect	L LED	A 4000K B 3500K C 3000K	G 5400 lm/4ft K 3000 lm/4ft	F White Lens  C Continuous White Lens	F Dust Cover	04 4' 08 8' 12 12' XX (4' increments)  04 3'8" 08 7'4" 12 11' XX (3'8" increments)	1 1 cct 2 2 cct L/R or C/ O or 7 Up/Down 1 cct w/ Dimming B 2 cct A/B	1 120V 2 277V 3 347V	E Philips Advance  Other drivers available - consult factory	W Standard White A Aluminum B Black C Custom

\* Nominal values within a range. Consult ies file for exact color temp, lumens and distribution † Not all wiring types are available with all configurations. Consult factory for complete list of available options

### Mounting Hardware

Wall Mount Type  
Consult separate mounting spec sheet for mount type options

Endcaps - Standard

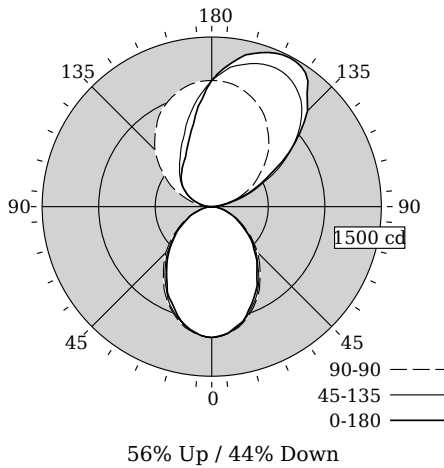


**Integrated Controls** Please indicate with check mark.

No Options Available

## DIRECT/INDIRECT, WHITE LENS - DUST COVER

### Photometry



<b>Total Output</b>	<b>5518 lm</b>
<b>Efficacy</b>	<b>101.6 lm/W</b>
<b>CCT</b>	<b>3003K</b>
<b>CRI</b>	<b>81</b>
<b>R9</b>	<b>3</b>
<b>Distribution</b>	<b>56% Up / 44% Down</b>
<b>Spacing Criteria (0/90/180°)</b>	<b>1.06/1.10/1.06</b>
Meets RP-1-04 recommendations for VDT-Normal spaces	

Values per 4ft unit

Fixture photometry has been conducted by an NVLAP accredited testing laboratory in accordance with IESNA LM-79-08

IES files for this and other photometric options can be downloaded online at [www.lightingproducts.philips.com](http://www.lightingproducts.philips.com)

### Candela Distribution

Vertical Angle	Horizontal Angle					Zonal Lumens
	0	22.5	45	67.5	90	
0	1158	1158	1158	1158	1158	0
5	1140	1144	1144	1142	1142	108
15	1054	1054	1065	1052	1046	298
25	885	910	924	912	890	420
35	697	725	746	722	696	460
45	526	550	576	545	525	427
55	362	376	386	376	368	343
65	226	231	240	225	222	232
75	113	115	111	108	102	120
85	25	26	28	23	23	32
90	0	0	0	0	0	0
95	29	45	72	48	46	53
105	192	243	201	134	127	191
115	478	504	365	228	228	353
125	834	844	528	319	314	494
135	1198	1123	711	401	383	573
145	1446	1293	853	493	445	556
155	1482	1350	985	622	532	455
165	1401	1309	1069	804	698	297
175	1228	1198	1112	1010	957	105
180	1116	1116	1116	1116	1116	0

### Coefficients of Utilization (%)

RCR	Ceiling: Wall:										
	70	80	30	10	70	50	30	50	30	10	0
0	106	106	106	106	97	97	97	80	80	80	44
1	97	93	89	86	89	85	82	71	69	66	38
2	88	81	75	71	81	75	70	62	59	56	32
3	81	72	65	59	74	66	60	55	51	47	28
4	74	64	56	50	68	59	52	49	44	40	24
5	68	57	49	43	62	53	46	44	39	35	21
6	63	51	43	38	57	47	40	40	35	31	19
7	58	46	39	33	53	43	36	36	31	27	17
8	54	42	35	29	50	39	32	33	28	24	15
9	50	38	31	26	46	36	29	31	25	22	14
10	47	35	28	24	43	33	27	28	23	20	13

### Avg. Luminance (cd/m<sup>2</sup>)

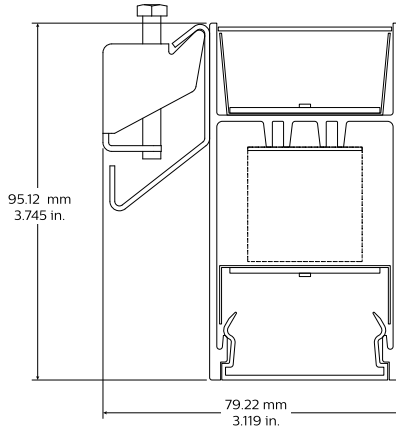
Vertical Angle	Horizontal Angle		
	0	45	90
55	11818	12617	12000
65	10005	10657	9829
75	8161	8029	7361
85	5396	5972	5027

### Electrical Specifications

<b>Input Voltage</b>	<b>120V</b>	<b>277V</b>
<b>Input Power</b>	<b>54.3W</b>	<b>53.6W</b>
<b>Input Current</b>	<b>0.45A</b>	<b>0.2A</b>
<b>Power Factor</b>	<b>0.997</b>	<b>0.97</b>
<b>Total Harm. Distortion</b>	<b>6.1%</b>	<b>12.2%</b>
Tested values – contact technical support for rated values. Off-state power zero unless certain controls are specified.		

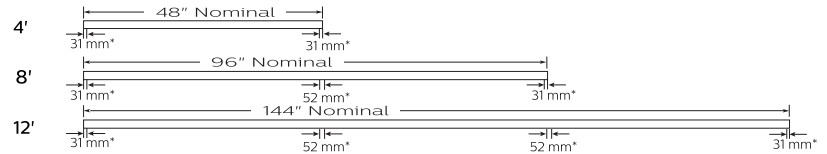
DIRECT/INDIRECT, WHITE LENS - DUST COVER

## Options and Details



### Modules

Standard modules mount to mount dimensions.



Continuous lens modules mount to mount dimensions.



Note: Refer to installation instructions for exact mount.

\* In-Run lens break = 52 mm & lens break at end = 31 mm

## Optics & Styles



Continuous style lens at end (C)  
(without bottom plate in 44" increments)

Continuous style lens at joint (C)  
(without bottom plate in 44" increments)

Standard style lens at end (F)  
(31 mm lens break at each end)

Standard style lens at joint (F)  
(62 mm lens break at each joint)

### Housing

High purity extruded aluminum housing. Contains some recycled material.

### Optical System

In the lower hemisphere, white light from downward facing LED sources is directed towards the optical aperture using highly efficient Miro silver reflectors and diffused by a matte frost acrylic extruded lens. In the upper hemisphere, a smooth light distribution is achieved by a combination of the integral LED package optics and an acrylic diffuser / dust cover.

### Standard Driver

Dimming 0-10V, 10-100%, output is Class 2 rated.  
Important: Fixture wired for non-dim operation unless dimming is specified.

### Lumen Maintenance

Lumen maintenance of the LEDs has been tested by the manufacturer in accordance with IESNA LM-80-08. At an ambient temperature of 25°C, the LED lumen maintenance expectation is:  $L_{80}$  (12k) 60,000h according to IES TM-21-11 Addendum A

Reported methodology  $L_{80}$  (6k) 72,000h according to IES TM-21-11 Projected methodology

### Electrical

Factory pre-wired to section ends with quick-wire connectors.

### Mounting

Fixed position mounts supplied standard at ends. Aircraft cable gripper provides infinite vertical adjustment capability. Aircraft cable, crimp and cable gripper independently tested to meet stringent safety requirements.

### Joints

Self-aligning joining system with hands-free pre-joining wire access.

### Endcaps

Each row is completed by a die-cast aluminum end cap. An internal draw-tight connector minimizes the joint line.

### Approvals

Complies to US and Canadian Safety Standards. UL or ETL listed and suitable for damp locations.

### Finish

High quality powder coated, available in matte White, Aluminum or Black. Other factory and custom colors available on request.

### Environment

Rated for dry or damp locations in operating ambient temperatures 0-40°C (32-104°F). Certain luminaire components may be adversely affected by contaminants. Damage caused by sulfur, chlorine, petroleum based solutions or other contaminants in the area of operation are not covered under warranty. Not suitable for natatorium environments.

Due to continuing product improvements, Philips Ledalite reserves the right to change the specifications without notice.



©2014 Koninklijke Philips N.V. All rights reserved.  
Specifications are subject to change without notice.  
[www.philips.com/luminaires](http://www.philips.com/luminaires)

MSQWall\_30K54lm\_xF.pdf 02.16 page 3 of 3

Philips Lighting  
North America Corporation  
200 Franklin Square Drive  
Somerset, NJ 08873  
Phone: 855-486-2216

Philips Lighting Company  
281 Hillmount Road  
Markham ON, Canada L6C 2S3  
Phone: 800-668-9008