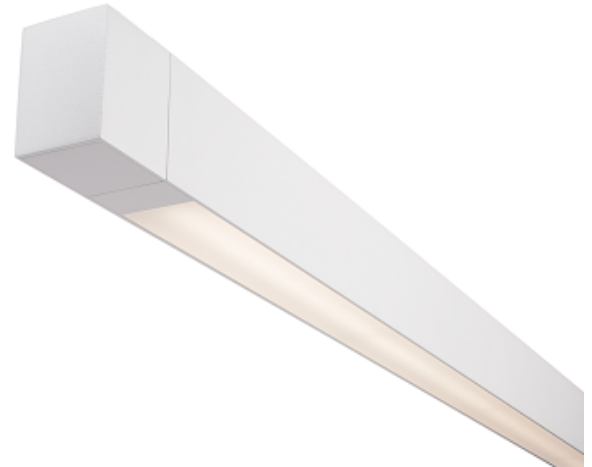


Slender. Adaptable. Performance.

MICROSQUARE WALL LED



DIRECT/INDIRECT, WHITE LENS - DUST COVER
CRI >80 3000K, 3000 lm/4ft

Project:

Spec Type:

Catalog No: MQ26LCKxF

Qty

Line Notes:



Ordering guide

Product Type	Source	Color Temp *	Lumens *	Lower Optics	Upper Optics	Run Length	Wiring †	Voltage	Driver	Finish
MQ26	L	C	K		F					
MicroSquare Wall Direct/Indirect	L LED	A 4000K B 3500K C 3000K	G 5400 lm/4ft K 3000 lm/4ft	F White Lens C Continuous White Lens	F Dust Cover	04 4' 08 8' 12 12' XX (4' increments) 04 3'8" 08 7'4" 12 11' XX (3'8" increments)	1 1 cct 2 2 cct L/R or C/ O or 7 Up/Down 1 cct w/ Dimming B 2 cct A/B	1 120V 2 277V 3 347V	E Philips Advance Other drivers available - consult factory	W Standard White A Aluminum B Black C Custom

* Nominal values within a range. Consult ies file for exact color temp, lumens and distribution † Not all wiring types are available with all configurations. Consult factory for complete list of available options

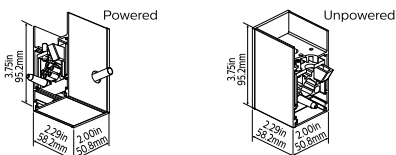
Mounting Hardware

Wall Mount Type
Consult separate mounting spec sheet for mount type options

Endcaps - Standard

Integrated Controls Please indicate with check mark.

No Options Available

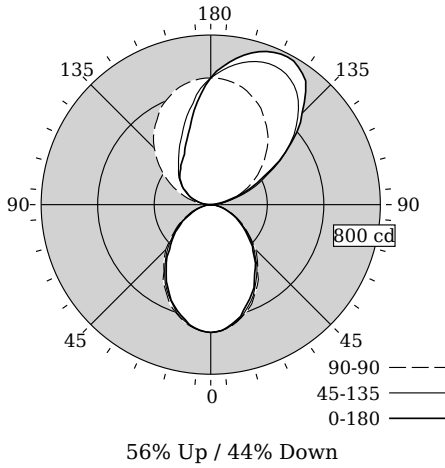


© 2014 Koninklijke Philips N.V. All rights reserved.
Specifications are subject to change without notice.
www.philips.com/luminaires

MICROSQUARE WALL LED

DIRECT/INDIRECT, WHITE LENS - DUST COVER

Photometry



Total Output	2889 lm
Efficacy	107.8 lm/W
CCT	3003K
CRI	81
R9	3
Distribution	56% Up / 44% Down
Spacing Criteria (0/90/180°)	1.06/1.10/1.06
Meets RP-1-04 recommendations for VDT-Intensive spaces	

Values per 4ft unit

Fixture photometry has been conducted by an NVLAP accredited testing laboratory in accordance with IESNA LM-79-08

IES files for this and other photometric options can be downloaded online at www.lightingproducts.philips.com

Candela Distribution

Vertical Angle	Horizontal Angle				Zonal Lumens
	0	22.5	45	67.5	
0	603	603	603	603	0
5	596	596	596	596	56
15	546	551	553	550	155
25	460	474	481	471	218
35	366	380	384	379	239
45	279	286	301	284	221
55	188	197	202	195	177
65	117	122	121	115	119
75	58	57	56	51	61
85	15	14	14	10	16
90	0	0	0	0	0
95	9	25	41	28	28
105	92	121	110	74	100
115	241	263	194	124	119
125	430	430	283	171	167
135	609	580	376	215	206
145	754	686	457	265	240
155	784	720	526	334	289
165	741	698	573	434	377
175	653	636	595	550	524
180	598	598	598	598	598

Coefficients of Utilization (%)

RCR	Ceiling/Wall									
	70	50	30	10	70	50	30	10	70	50
0	106	106	106	106	97	97	97	80	80	80
1	97	93	89	86	88	85	82	71	68	66
2	88	81	75	70	81	75	70	62	59	55
3	81	72	65	59	74	66	60	55	51	47
4	74	64	56	50	68	59	52	49	44	40
5	68	57	49	43	62	53	46	44	39	35
6	63	51	43	38	57	47	40	40	35	31
7	58	46	39	33	53	43	36	36	31	27
8	54	42	35	29	49	39	32	33	28	24
9	50	38	31	26	46	36	29	30	25	22
10	47	35	28	24	43	33	27	28	23	20

Avg. Luminance (cd/m²)

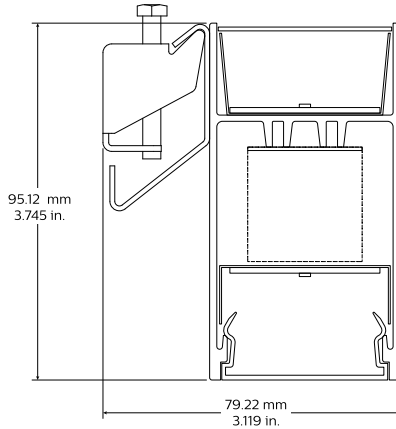
Vertical Angle	Horizontal Angle		
	0	45	90
55	6139	6594	5995
65	5202	5369	4731
75	4224	4053	3774
85	3205	2998	2744

Electrical Specifications

Input Voltage	120V	277V
Input Power	26.8W	26.5W
Input Current	0.22A	0.1A
Power Factor	0.996	0.964
Total Harm. Distortion	7.5%	13.5%
Tested values – contact technical support for rated values. Off-state power zero unless certain controls are specified.		

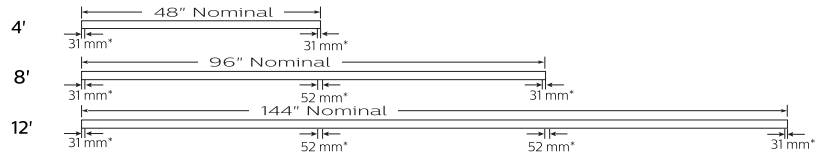
DIRECT/INDIRECT, WHITE LENS - DUST COVER

Options and Details



Modules

Standard modules mount to mount dimensions.



Continuous lens modules mount to mount dimensions.



Note: Refer to installation instructions for exact mount.

* In-Run lens break = 52 mm & lens break at end = 31 mm

Optics & Styles



Continuous style lens at end (C)
(without bottom plate in 44" increments)

Continuous style lens at joint (C)
(without bottom plate in 44" increments)

Standard style lens at end (F)
(31 mm lens break at each end)

Standard style lens at joint (F)
(62 mm lens break at each joint)

Housing

High purity extruded aluminum housing. Contains some recycled material.

Optical System

In the lower hemisphere, white light from downward facing LED sources is directed towards the optical aperture using highly efficient Miro silver reflectors and diffused by a matte frost acrylic extruded lens. In the upper hemisphere, a smooth light distribution is achieved by a combination of the integral LED package optics and an acrylic diffuser / dust cover.

Standard Driver

Dimming 0-10V, 10-100%, output is Class 2 rated.
Important: Fixture wired for non-dim operation unless dimming is specified.

Lumen Maintenance

Lumen maintenance of the LEDs has been tested by the manufacturer in accordance with IESNA LM-80-08. At an ambient temperature of 25°C, the LED lumen maintenance expectation is: L_{80} (12k) 60,000h according to IES TM-21-11 Addendum A

Reported methodology L_{80} (6k) 72,000h according to IES TM-21-11 Projected methodology

Electrical

Factory pre-wired to section ends with quick-wire connectors.

Mounting

Fixed position mounts supplied standard at ends. Aircraft cable gripper provides infinite vertical adjustment capability. Aircraft cable, crimp and cable gripper independently tested to meet stringent safety requirements.

Joints

Self-aligning joining system with hands-free pre-joining wire access.

Endcaps

Each row is completed by a die-cast aluminum end cap. An internal draw-tight connector minimizes the joint line.

Approvals

Complies to US and Canadian Safety Standards. UL or ETL listed and suitable for damp locations.

Finish

High quality powder coated, available in matte White, Aluminum or Black. Other factory and custom colors available on request.

Environment

Rated for dry or damp locations in operating ambient temperatures 0-40°C (32-104°F). Certain luminaire components may be adversely affected by contaminants. Damage caused by sulfur, chlorine, petroleum based solutions or other contaminants in the area of operation are not covered under warranty. Not suitable for natatorium environments.

Due to continuing product improvements, Philips Ledalite reserves the right to change the specifications without notice.



©2014 Koninklijke Philips N.V. All rights reserved.
Specifications are subject to change without notice.
www.philips.com/luminaires

MSQWall_30K30lm_xF.pdf 02.16 page 3 of 3

Philips Lighting
North America Corporation
200 Franklin Square Drive
Somerset, NJ 08873
Phone: 855-486-2216

Philips Lighting Company
281 Hillmount Road
Markham ON, Canada L6C 2S3
Phone: 800-668-9008