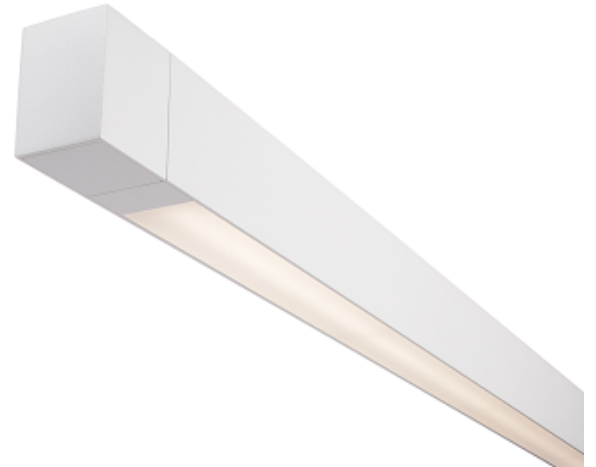


Slender. Adaptable. Performance.

MICROSQUARE WALL LED



DIRECT, WHITE LENS
CRI >80 3000K, 2300 lm/4ft

Project:

Spec Type:

Catalog No: MQ21LCGxN

Qty

Line Notes:



Ordering guide

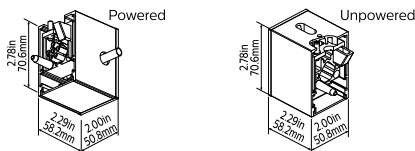
Product Type	Source	Color Temp *	Lumens *	Lower Optics	Upper Optics	Run Length	Wiring †	Voltage	Driver	Finish
MQ21	L	C	G		N					
MicroSquare Wall Symmetric	L LED	A 4000K B 3500K C 3000K	G 2300 lm/4ft K 1300 lm/4ft	F White Lens C Continuous White Lens	N Solid Housing	04 4' 08 8' 12 12' XX (4' increments) 04 3'8" 08 7'4" 12 11' XX (3'8" increments)	1 1 cct 7 1 cct w/ Dimming B 2 cct A/B	1 120V 2 277V 3 347V	E Philips Advance Other drivers available - consult factory	W Standard White A Aluminum B Black C Custom

* Nominal values within a range. Consult ies file for exact color temp, lumens and distribution † Not all wiring types are available with all configurations. Consult factory for complete list of available options

Mounting Hardware

Wall Mount Type
Consult separate mounting spec sheet for mount type options

Endcaps - Standard

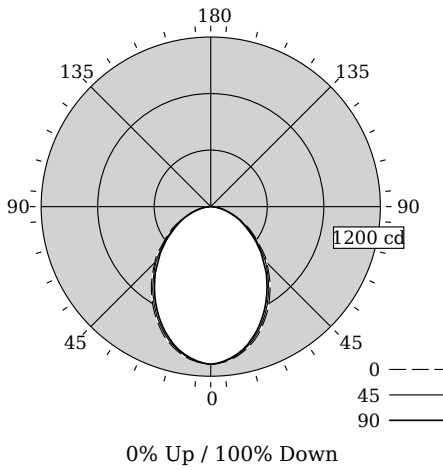


Integrated Controls Please indicate with check mark.

No Options Available

DIRECT, WHITE LENS

Photometry



Total Output	2410 lm
Efficacy	87.3 lm/W
CCT	2959K
CRI	81
R9	2
Distribution	0% Up / 100% Down
Spacing Criteria (0/90/180°)	1.11/1.07/NA
Meets RP-1-04 recommendations for VDT-Normal spaces	

Values per 4ft unit

Fixture photometry has been conducted by an NVLAP accredited testing laboratory in accordance with IESNA LM-79-08

IES files for this and other photometric options can be downloaded online at www.lightingproducts.philips.com

Candela Distribution

Vertical Angle	Horizontal Angle					Zonal Lumens
	0	22.5	45	67.5	90	
0	1116	1116	1116	1116	1116	0
5	1103	1107	1100	1105	1097	104
15	1029	1039	1019	1022	1010	288
25	894	907	882	884	864	408
35	732	744	717	718	695	452
45	560	565	547	539	519	423
55	388	398	379	379	361	342
65	237	246	234	230	227	235
75	115	119	112	116	110	124
85	26	33	27	30	25	34
90	0	0	0	0	0	0
95	0	0	0	0	0	0
105	0	0	0	0	0	0
115	0	0	0	0	0	0
125	0	0	0	0	0	0
135	0	0	0	0	0	0
145	0	0	0	0	0	0
155	0	0	0	0	0	0
165	0	0	0	0	0	0
175	0	0	0	0	0	0
180	0	0	0	0	0	0

Coefficients of Utilization (%)

RCR	Ceiling		80				70				50				0			
	Wall	70	50	30	10	70	50	30	10	50	30	10	10	11	111	100		
0		119	119	119	119	116	116	116	111	111	111	111	111	111	111	100		
1		110	105	101	98	107	103	99	99	96	93	86	86	86	86	86		
2		101	93	87	81	98	91	85	87	83	78	73	73	73	73	73		
3		92	82	75	69	90	81	74	78	72	67	63	63	63	63	63		
4		85	74	65	59	83	72	65	70	63	58	54	54	54	54	54		
5		78	66	58	52	76	65	57	63	56	51	48	48	48	48	48		
6		73	60	52	46	71	59	51	57	50	45	42	42	42	42	42		
7		68	55	46	41	66	54	46	53	45	40	38	38	38	38	38		
8		63	50	42	37	62	50	42	48	41	36	34	34	34	34	34		
9		59	46	38	33	58	46	38	45	38	33	31	31	31	31	31		
10		56	43	35	30	54	42	35	41	35	30	28	28	28	28	28		

Avg. Luminance (cd/m²)

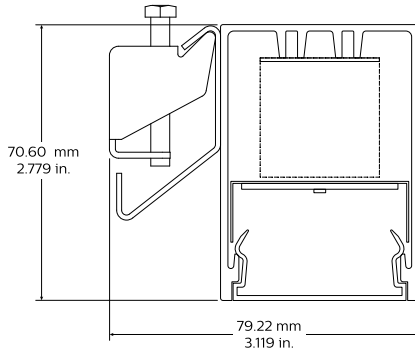
Vertical Angle	Horizontal Angle		
	0	45	90
55	12670	12365	11783
65	10523	10362	10081
75	8355	8122	7974
85	5649	5903	5373

Electrical Specifications

Input Voltage	120V	277V
Input Power	27.6W	27.3W
Input Current	0.23A	0.1A
Power Factor	0.996	0.964
Total Harm. Distortion	7.5%	13.5%
Tested values – contact technical support for rated values. Off-state power zero unless certain controls are specified.		

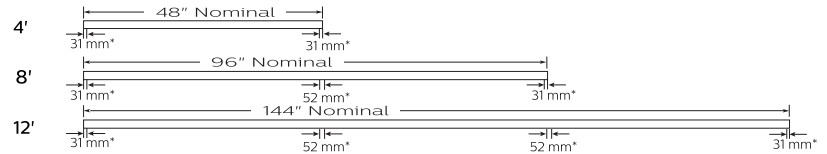
DIRECT, WHITE LENS

Options and Details

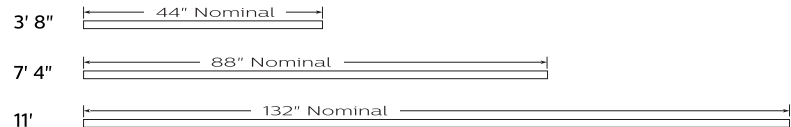


Modules

Standard modules mount to mount dimensions.



Continuous lens modules mount to mount dimensions.



Note: Refer to installation instructions for exact mount.

* In-Run lens break = 52 mm & lens break at end = 31 mm

Optics & Styles



Continuous style lens at end (C)
(without bottom plate in 44" increments)

Continuous style lens at joint (C)
(without bottom plate in 44" increments)

Standard style lens at end (F)
(31 mm lens break at each end)

Standard style lens at joint (F)
(62 mm lens break at each joint)

Housing

High purity extruded aluminum housing. Contains some recycled material.

Optical System

In the lower hemisphere, white light from downward facing LED sources is directed towards the optical aperture using highly efficient Miro silver reflectors and diffused by a matte frost acrylic extruded lens. In the upper hemisphere, a smooth light distribution is achieved by a combination of the integral LED package optics and an acrylic diffuser / dust cover.

Standard Driver

Dimming 0-10V, 10-100%, output is Class 2 rated.
Important: Fixture wired for non-dim operation unless dimming is specified.

Lumen Maintenance

Lumen maintenance of the LEDs has been tested by the manufacturer in accordance with IESNA LM-80-08. At an ambient temperature of 25°C, the LED lumen maintenance expectation is: L_{80} (12k) 60,000h according to IES TM-21-11 Addendum A

Reported methodology L_{80} (6k) 72,000h according to IES TM-21-11 Projected methodology

Electrical

Factory pre-wired to section ends with quick-wire connectors.

Mounting

Fixed position mounts supplied standard at ends. Aircraft cable gripper provides infinite vertical adjustment capability. Aircraft cable, crimp and cable gripper independently tested to meet stringent safety requirements.

Joints

Self-aligning joining system with hands-free pre-joining wire access.

Endcaps

Each row is completed by a die-cast aluminum end cap. An internal draw-tight connector minimizes the joint line.

Approvals

Complies to US and Canadian Safety Standards. UL or ETL listed and suitable for damp locations.

Finish

High quality powder coated, available in matte White, Aluminum or Black. Other factory and custom colors available on request.

Environment

Rated for dry or damp locations in operating ambient temperatures 0-40°C (32-104°F). Certain luminaire components may be adversely affected by contaminants. Damage caused by sulfur, chlorine, petroleum based solutions or other contaminants in the area of operation are not covered under warranty. Not suitable for natatorium environments.

Due to continuing product improvements, Philips Ledalite reserves the right to change the specifications without notice.



©2014 Koninklijke Philips N.V. All rights reserved.
Specifications are subject to change without notice.
www.philips.com/luminaires

MSQWall_30K23lm_xN.pdf 02.16 page 3 of 3

Philips Lighting
North America Corporation
200 Franklin Square Drive
Somerset, NJ 08873
Phone: 855-486-2216

Philips Lighting Company
281 Hillmount Road
Markham ON, Canada L6C 2S3
Phone: 800-668-9008