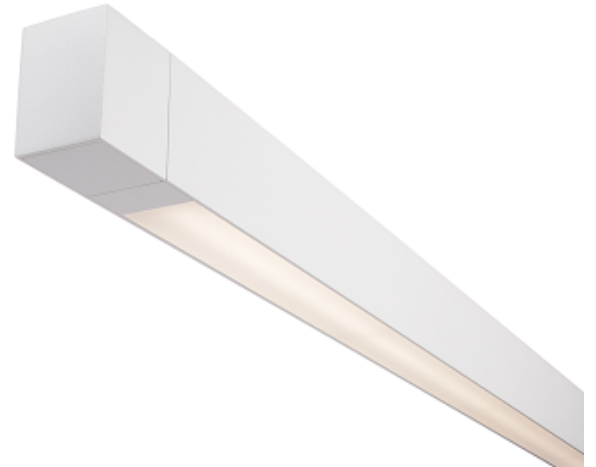


Slender. Adaptable. Performance.

MICROSQUARE WALL LED



DIRECT, WHITE LENS
CRI >80 3000K, 1300 lm/4ft

Project:

Spec Type:

Catalog No: MQ21LCKxN

Qty

Line Notes:



Ordering guide

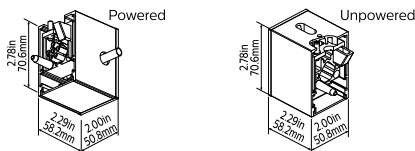
Product Type	Source	Color Temp *	Lumens *	Lower Optics	Upper Optics	Run Length	Wiring †	Voltage	Driver	Finish
MQ21	L	C	K		N					
MicroSquare Wall Symmetric	L LED	A 4000K B 3500K C 3000K	G 2300 lm/4ft K 1300 lm/4ft	F White Lens C Continuous White Lens	N Solid Housing	04 4' 08 8' 12 12' XX (4' increments) 04 3'8" 08 7'4" 12 11' XX (3'8" increments)	1 1 cct 7 1 cct w/ Dimming B 2 cct A/B	1 120V 2 277V 3 347V	E Philips Advance Other drivers available - consult factory	W Standard White A Aluminum B Black C Custom

* Nominal values within a range. Consult ies file for exact color temp, lumens and distribution † Not all wiring types are available with all configurations. Consult factory for complete list of available options

Mounting Hardware

Wall Mount Type
Consult separate mounting spec sheet for mount type options

Endcaps - Standard

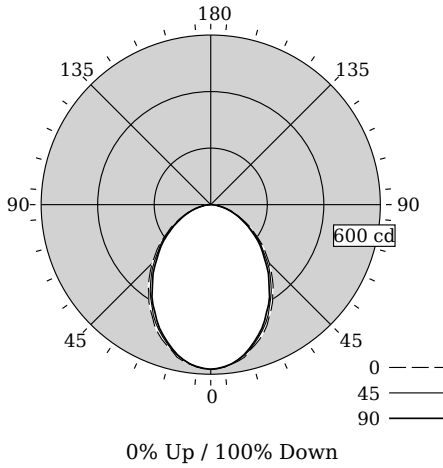


Integrated Controls Please indicate with check mark.

No Options Available

DIRECT, WHITE LENS

Photometry



Total Output	1254 lm
Efficacy	88.3 lm/W
CCT	2977K
CRI	81
R9	3
Distribution	0% Up / 100% Down
Spacing Criteria (0/90/180°)	1.11/1.07/NA
Meets RP-1-04 recommendations for VDT-Intensive spaces	

Values per 4ft unit

Fixture photometry has been conducted by an NVLAP accredited testing laboratory in accordance with IESNA LM-79-08

IES files for this and other photometric options can be downloaded online at www.lightingproducts.philips.com

Candela Distribution

Vertical Angle	Horizontal Angle					Zonal Lumens
	0	22.5	45	67.5	90	
0	583	583	583	583	583	0
5	576	577	576	576	575	54
15	534	541	533	532	527	150
25	471	474	461	458	452	213
35	382	387	373	368	360	235
45	293	293	281	282	268	219
55	203	205	198	195	189	178
65	122	128	120	123	115	122
75	62	63	59	63	58	65
85	15	17	15	16	14	18
90	0	0	0	0	0	0
95	0	0	0	0	0	0
105	0	0	0	0	0	0
115	0	0	0	0	0	0
125	0	0	0	0	0	0
135	0	0	0	0	0	0
145	0	0	0	0	0	0
155	0	0	0	0	0	0
165	0	0	0	0	0	0
175	0	0	0	0	0	0
180	0	0	0	0	0	0

Coefficients of Utilization (%)

RCR	Ceiling		Wall				0					
	70	50	30	10	70	50	30	10	70	50	30	10
0	119	119	119	119	116	116	116	111	111	111	111	100
1	110	105	101	98	107	103	99	99	96	93	86	86
2	101	93	87	81	98	91	85	87	83	78	73	73
3	92	82	75	69	90	81	74	78	72	67	63	63
4	85	74	65	59	83	72	65	70	63	58	54	54
5	79	66	58	52	76	65	57	63	56	51	48	48
6	73	60	52	46	71	59	51	57	50	45	42	42
7	68	55	46	41	66	54	46	53	45	40	38	38
8	63	50	42	37	62	50	42	48	41	36	34	34
9	59	46	38	33	58	46	38	45	38	33	31	31
10	56	43	35	30	54	42	35	42	35	30	28	28

Avg. Luminance (cd/m²)

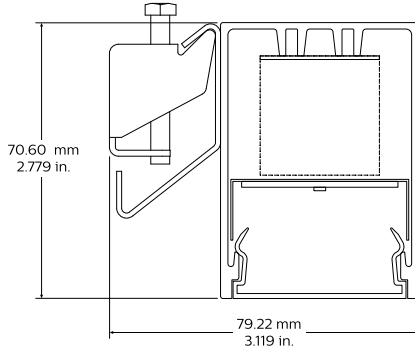
Vertical Angle	Horizontal Angle		
	0	45	90
55	6629	6478	6156
65	5416	5335	5112
75	4457	4302	4177
85	3274	3182	3021

Electrical Specifications

Input Voltage	120V	277V
Input Power	14.2W	14.4W
Input Current	0.12A	0.06A
Power Factor	0.992	0.921
Total Harm. Distortion	9.7%	15%
Tested values – contact technical support for rated values. Off-state power zero unless certain controls are specified.		

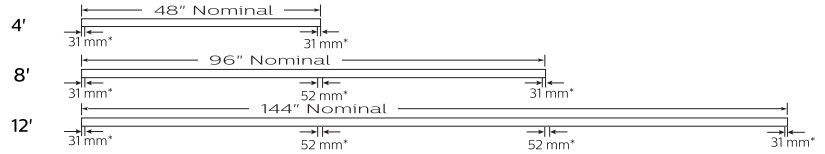
DIRECT, WHITE LENS

Options and Details



Modules

Standard modules mount to mount dimensions.



Continuous lens modules mount to mount dimensions.



Note: Refer to installation instructions for exact mount.

* In-Run lens break = 52 mm & lens break at end = 31 mm

Optics & Styles



Continuous style lens at end (C)
(without bottom plate in 44" increments)

Continuous style lens at joint (C)
(without bottom plate in 44" increments)

Standard style lens at end (F)
(31 mm lens break at each end)

Standard style lens at joint (F)
(62 mm lens break at each joint)

Housing

High purity extruded aluminum housing. Contains some recycled material.

Optical System

In the lower hemisphere, white light from downward facing LED sources is directed towards the optical aperture using highly efficient Miro silver reflectors and diffused by a matte frost acrylic extruded lens. In the upper hemisphere, a smooth light distribution is achieved by a combination of the integral LED package optics and an acrylic diffuser / dust cover.

Standard Driver

Dimming 0-10V, 10-100% output is Class 2 rated. Important: Fixture wired for non-dim operation unless dimming is specified.

Lumen Maintenance

Lumen maintenance of the LEDs has been tested by the manufacturer in accordance with IESNA LM-80-08. At an ambient temperature of 25°C, the LED lumen maintenance expectation is: L₈₀ (12k) 60,000h according to IES TM-21-11 Addendum A

Reported methodology
L₈₀ (6k) 72,000h according to IES TM-21-11 Projected methodology

Electrical

Factory pre-wired to section ends with quick-wire connectors.

Mounting

Fixed position mounts supplied standard at ends. Aircraft cable gripper provides infinite vertical adjustment capability. Aircraft cable, crimp and cable gripper independently tested to meet stringent safety requirements.

Joints

Self-aligning joining system with hands-free pre-joining wire access.

Endcaps

Each row is completed by a die-cast aluminum end cap. An internal draw-tight connector minimizes the joint line.

Approvals

Complies to US and Canadian Safety Standards. UL or ETL listed and suitable for damp locations.

Finish

High quality powder coated, available in matte White, Aluminum or Black. Other factory and custom colors available on request.

Environment

Rated for dry or damp locations in operating ambient temperatures 0-40°C (32-104°F). Certain luminaire components may be adversely affected by contaminants. Damage caused by sulfur, chlorine, petroleum based solutions or other contaminants in the area of operation are not covered under warranty. Not suitable for natatorium environments.

Due to continuing product improvements, Philips Ledalite reserves the right to change the specifications without notice.



©2014 Koninklijke Philips N.V. All rights reserved.
Specifications are subject to change without notice.
www.philips.com/luminaires

MSQWall_30K13lm_xN.pdf 02.16 page 3 of 3

Philips Lighting
North America Corporation
200 Franklin Square Drive
Somerset, NJ 08873
Phone: 855-486-2216

Philips Lighting Company
281 Hillmount Road
Markham ON, Canada L6C 2S3
Phone: 800-668-9008