

Slender. Adaptable. Performance.

MICROSQUARE SUSPENDED LED



DIRECT/INDIRECT, WHITE LENS - DUST COVER
CRI >80 4000K, 3000 lm/4ft

Project:

Spec Type:

Catalog No: MQ06LAKxF

Qty

Line Notes:



Ordering guide

Product Type	Source	Color Temp *	Lumens *	Lower Optics	Upper Optics	Run Length	Wiring †	Voltage	Driver	Finish
MQ06	L	A	K		F					
MicroSquare Suspended Direct/ Indirect	L LED	A 4000K B 3500K C 3000K	G 5400 lm/4ft K 3000 lm/4ft	F White Lens C Continuous White Lens	F Dust Cover	04 4' 08 8' 12 12' XX (4' increments) 04 3'8" 08 7'4" 12 11' XX (3'8" increments)	1 1 cct 2 2 cct L/R or C/ O or 7 Up/Down 1 cct w/ Dimming B 2 cct A/B	1 120V 2 277V 3 347V	E Philips Advance Other drivers available - consult factory	W Standard White A Aluminum B Black C Custom

* Nominal values within a range. Consult ies file for exact color temp, lumens and distribution † Not all wiring types are available with all configurations. Consult factory for complete list of available options

Mounting Hardware

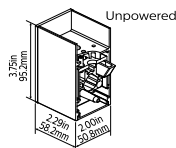
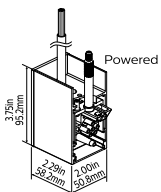
Mount Type
Consult separate mounting spec sheet for mount type options

Suspension Length
Distance from ceiling to top of luminaire in inches

Endcaps -

Integrated Controls Please indicate with check mark.

No Options Available

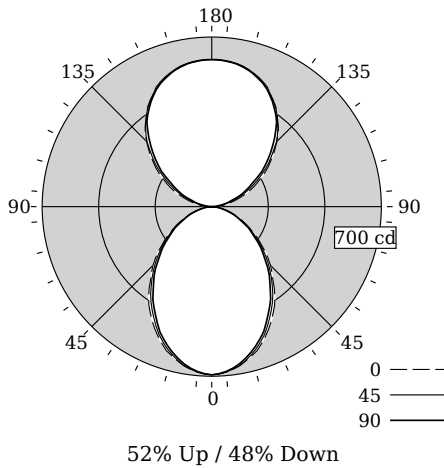


© 2014 Koninklijke Philips N.V. All rights reserved.
Specifications are subject to change without notice.
www.philips.com/luminaires

MICROSQUARE SUSPENDED LED

DIRECT/INDIRECT, WHITE LENS - DUST COVER

Photometry



Total Output	3021 lm
Efficacy	111.9 lm/W
CCT	3989K
CRI	82
R9	9
Distribution	52% Up / 48% Down
Spacing Criteria (0/90/180°)	1.11/1.05/NA
Meets RP-1-04 recommendations for VDT-Intensive spaces	

Values per 4ft unit

Fixture photometry has been conducted by an NVLAP accredited testing laboratory in accordance with IESNA LM-79-08

IES files for this and other photometric options can be downloaded online at www.lightingproducts.philips.com

Candela Distribution

Vertical Angle	Horizontal Angle					Zonal Lumens
	0	22.5	45	67.5	90	
0	694	694	694	694	694	0
5	686	688	685	686	683	65
15	637	641	632	633	623	178
25	557	562	544	541	531	252
35	454	457	440	437	421	276
45	343	343	329	325	312	256
55	235	238	225	226	214	205
65	140	147	135	140	129	138
75	68	69	65	71	62	72
85	16	16	14	17	14	18
90	0	0	0	0	0	0
95	38	28	23	17	19	26
105	101	90	83	69	73	88
115	190	176	170	148	152	165
125	283	274	270	246	253	236
135	380	374	377	359	356	284
145	470	466	468	460	461	291
155	536	537	544	538	537	248
165	583	583	586	586	585	165
175	605	604	606	605	604	58
180	607	607	607	607	607	0

Coefficients of Utilization (%)

RCR	Ceiling: Wall:										
	70	50	30	10	70	50	30	50	30	10	0
0	107	107	107	107	98	98	98	82	82	82	48
1	98	94	90	87	90	86	83	73	71	68	42
2	89	82	76	71	82	76	71	64	61	57	35
3	82	73	66	60	75	67	61	57	52	49	30
4	75	65	57	51	69	60	53	51	46	42	27
5	69	58	50	44	63	54	47	46	40	36	23
6	64	52	44	38	59	48	41	41	36	32	21
7	59	47	39	34	54	44	37	38	32	28	18
8	55	43	35	30	50	40	33	34	29	25	17
9	51	39	32	27	47	37	30	32	26	23	15
10	48	36	29	24	44	34	27	29	24	21	14

Avg. Luminance (cd/m²)

Vertical Angle	Horizontal Angle		
	0	45	90
55	7680	7344	6976
65	6215	5977	5716
75	4931	4729	4519
85	3367	3067	3021

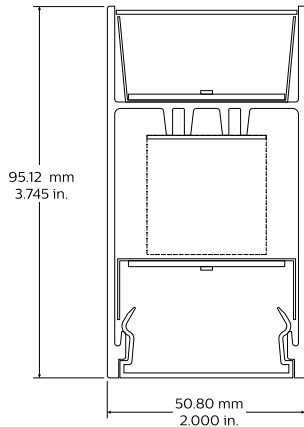
Electrical Specifications

Input Voltage	120V	277V
Input Power	27W	26.7W
Input Current	0.23A	0.1A
Power Factor	0.996	0.964
Total Harm. Distortion	7.5%	13.5%
Tested values – contact technical support for rated values. Off-state power zero unless certain controls are specified.		

MICROSQUARE SUSPENDED LED

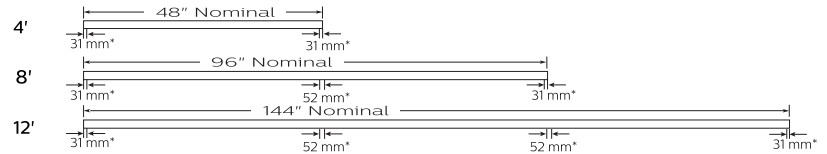
DIRECT/INDIRECT, WHITE LENS - DUST COVER

Options and Details



Modules

Standard modules mount to mount dimensions.



Continuous lens modules mount to mount dimensions.



Note: Refer to installation instructions for exact mount.

* In-Run lens break = 52 mm & lens break at end = 31 mm

Optics & Styles



Continuous style lens at end (C)
(without bottom plate in 44" increments)

Continuous style lens at joint (C)
(without bottom plate in 44" increments)

Standard style lens at end (F)
(31 mm lens break at each end)

Standard style lens at joint (F)
(62 mm lens break at each joint)

Housing

High purity extruded aluminum housing. Contains some recycled material.

Optical System

In the lower hemisphere, white light from downward facing LED sources is directed towards the optical aperture using highly efficient Miro silver reflectors and diffused by a matte frost acrylic extruded lens. In the upper hemisphere, a smooth light distribution is achieved by a combination of the integral LED package optics and an acrylic diffuser / dust cover.

Standard Driver

Dimming 0-10V, 10-100% output is Class 2 rated. Important: Fixture wired for non-dim operation unless dimming is specified.

Lumen Maintenance

Lumen maintenance of the LEDs has been tested by the manufacturer in accordance with IESNA LM-80-08. At an ambient temperature of 25°C, the LED lumen maintenance expectation is: L₈₀ (12k) 60,000h according to IES TM-21-11 Addendum A

Reported methodology L₈₀ (6k) 72,000h according to IES TM-21-11 Projected methodology

Electrical

Factory pre-wired to section ends with quick-wire connectors.

Mounting

Fixed position mounts supplied standard at ends. Aircraft cable gripper provides infinite vertical adjustment capability. Aircraft cable, crimp and cable gripper independently tested to meet stringent safety requirements.

Joints

Self-aligning joining system with hands-free pre-joining wire access.

Endcaps

Each row is completed by a die-cast aluminum end cap. An internal draw-tight connector minimizes the joint line.

Approvals

Complies to US and Canadian Safety Standards. UL or ETL listed and suitable for damp locations.

Finish

High quality powder coated, available in matte White, Aluminum or Black. Other factory and custom colors available on request.

Environment

Rated for dry or damp locations in operating ambient temperatures 0-40°C (32-104°F). Certain luminaire components may be adversely affected by contaminants. Damage caused by sulfur, chlorine, petroleum based solutions or other contaminants in the area of operation are not covered under warranty. Not suitable for natatorium environments.

Due to continuing product improvements, Philips Ledalite reserves the right to change the specifications without notice.



©2014 Koninklijke Philips N.V. All rights reserved.
Specifications are subject to change without notice.
www.philips.com/luminaires

MSQSusp_40K30lm_xF.pdf 02.16 page 3 of 3

Philips Lighting
North America Corporation
200 Franklin Square Drive
Somerset, NJ 08873
Phone: 855-486-2216

Philips Lighting Company
281 Hillmount Road
Markham ON, Canada L6C 2S3
Phone: 800-668-9008