

# Slender. Adaptable. Performance.

## MICROSQUARE SUSPENDED LED



DIRECT, WHITE LENS  
CRI >80 4000K, 2300 lm/4ft

Project:

Spec Type:

Catalog No: MQ01LAGxN

Qty

Line Notes:



### Ordering guide

Product Type	Source	Color Temp *	Lumens *	Lower Optics	Upper Optics	Run Length	Wiring †	Voltage	Driver	Finish
MQ01	L	A	G		N					
MicroSquare Suspended Symmetric	L LED	A 4000K B 3500K C 3000K	G 2300 lm/4ft K 1300 lm/4ft	F White Lens  C Continuous White Lens	N Solid Housing	04 4' 08 8' 12 12' XX (4' increments)  04 3'8" 08 7'4" 12 11' XX (3'8" increments)	1 1 cct 7 1 cct w/ Dimming B 2 cct A/B	1 120V 2 277V 3 347V	E Philips Advance  Other drivers available - consult factory	W Standard White A Aluminum B Black C Custom

\* Nominal values within a range. Consult ies file for exact color temp, lumens and distribution † Not all wiring types are available with all configurations. Consult factory for complete list of available options

### Mounting Hardware

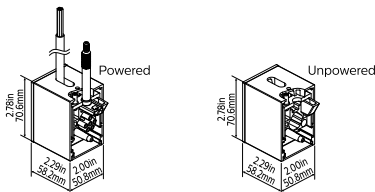
Mount Type  
Consult separate mounting spec sheet for mount type options

Suspension Length  
Distance from ceiling to top of luminaire in inches

Endcaps -

**Integrated Controls** Please indicate with check mark.

No Options Available

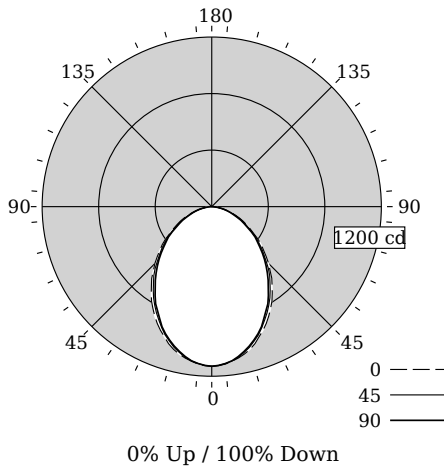


© 2014 Koninklijke Philips N.V. All rights reserved.  
Specifications are subject to change without notice.  
[www.philips.com/luminaires](http://www.philips.com/luminaires)

# MICROSQUARE SUSPENDED LED

DIRECT, WHITE LENS

## Photometry



<b>Total Output</b>	<b>2438 lm</b>
<b>Efficacy</b>	<b>88.3 lm/W</b>
<b>CCT</b>	<b>3904K</b>
<b>CRI</b>	<b>82</b>
<b>R9</b>	<b>9</b>
<b>Distribution</b>	<b>0% Up / 100% Down</b>
<b>Spacing Criteria (0/90/180°)</b>	<b>1.11/1.07/NA</b>
Meets RP-1-04 recommendations for VDT-Normal spaces	

Values per 4ft unit

Fixture photometry has been conducted by an NVLAP accredited testing laboratory in accordance with IESNA LM-79-08

IES files for this and other photometric options can be downloaded online at [www.lightingproducts.philips.com](http://www.lightingproducts.philips.com)

### Candela Distribution

Vertical Angle	Horizontal Angle				Zonal Lumens
	0	22.5	45	67.5	
0	1130	1130	1130	1130	0
5	1118	1120	1114	1118	106
15	1045	1048	1031	1032	291
25	912	923	886	891	413
35	746	755	721	724	457
45	570	571	543	550	427
55	398	398	383	385	374
65	247	246	237	239	228
75	119	120	116	121	114
85	27	33	29	32	26
90	0	0	0	0	0
95	0	0	0	0	0
105	0	0	0	0	0
115	0	0	0	0	0
125	0	0	0	0	0
135	0	0	0	0	0
145	0	0	0	0	0
155	0	0	0	0	0
165	0	0	0	0	0
175	0	0	0	0	0
180	0	0	0	0	0

### Coefficients of Utilization (%)

RCR	Ceiling: Wall:										
	70	50	30	10	70	50	30	50	30	10	0
0	119	119	119	119	116	116	116	111	111	111	100
1	110	105	101	98	107	103	99	99	96	93	86
2	100	93	86	81	98	91	85	87	83	78	73
3	92	82	75	69	90	81	74	78	72	67	63
4	85	74	65	59	83	72	65	70	63	58	54
5	78	66	58	52	76	65	57	63	56	51	48
6	73	60	52	45	71	59	51	57	50	45	42
7	68	55	46	41	66	54	46	53	45	40	38
8	63	50	42	37	62	50	42	48	41	36	34
9	59	46	38	33	58	46	38	45	38	33	31
10	56	43	35	30	54	42	35	41	35	30	28

### Avg. Luminance (cd/m<sup>2</sup>)

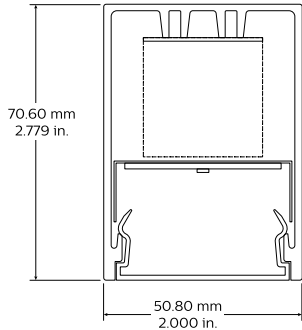
Vertical Angle	Horizontal Angle	
	0	45
55	13006	12491
65	10932	10490
75	8627	8363
85	5695	6249

## Electrical Specifications

Input Voltage	120V	277V
<b>Input Power</b>	<b>27.6W</b>	<b>27.3W</b>
<b>Input Current</b>	<b>0.23A</b>	<b>0.1A</b>
<b>Power Factor</b>	<b>0.996</b>	<b>0.964</b>
<b>Total Harm. Distortion</b>	<b>7.5%</b>	<b>13.5%</b>
Tested values – contact technical support for rated values. Off-state power zero unless certain controls are specified.		

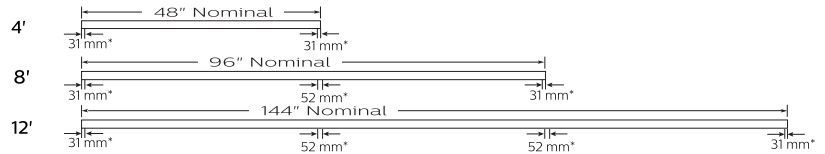
## DIRECT, WHITE LENS

### Options and Details



#### Modules

Standard modules mount to mount dimensions.



Continuous lens modules mount to mount dimensions.



Note: Refer to installation instructions for exact mount.  
\* In-Run lens break = 52 mm & lens break at end = 31 mm

### Optics & Styles



Continuous style lens at end (C)  
(without bottom plate in 44" increments)

Continuous style lens at joint (C)  
(without bottom plate in 44" increments)

Standard style lens at end (F)  
(31 mm lens break at each end)

Standard style lens at joint (F)  
(62 mm lens break at each joint)

#### Housing

High purity extruded aluminum housing. Contains some recycled material.

#### Optical System

In the lower hemisphere, white light from downward facing LED sources is directed towards the optical aperture using highly efficient Miro silver reflectors and diffused by a matte frost acrylic extruded lens. In the upper hemisphere, a smooth light distribution is achieved by a combination of the integral LED package optics and an acrylic diffuser / dust cover.

#### Standard Driver

Dimming 0-10V, 10-100% output is Class 2 rated.  
Important: Fixture wired for non-dim operation unless dimming is specified.

#### Lumen Maintenance

Lumen maintenance of the LEDs has been tested by the manufacturer in accordance with IESNA LM-80-08. At an ambient temperature of 25°C, the LED lumen maintenance expectation is:  $L_{80}$  (12k) 60,000h according to IES TM-21-11 Addendum A  
Reported methodology  
 $L_{80}$  (6k) 72,000h according to IES TM-21-11 Projected methodology

#### Electrical

Factory pre-wired to section ends with quick-wire connectors.

#### Mounting

Fixed position mounts supplied standard at ends. Aircraft cable gripper provides infinite vertical adjustment capability. Aircraft cable, crimp and cable gripper independently tested to meet stringent safety requirements.

#### Joints

Self-aligning joining system with hands-free pre-joining wire access.

#### Endcaps

Each row is completed by a die-cast aluminum end cap. An internal draw-tight connector minimizes the joint line.

#### Approvals

Complies to US and Canadian Safety Standards. UL or ETL listed and suitable for damp locations.

#### Finish

High quality powder coated, available in matte White, Aluminum or Black. Other factory and custom colors available on request.

#### Environment

Rated for dry or damp locations in operating ambient temperatures 0-40°C (32-104°F). Certain luminaire components may be adversely affected by contaminants. Damage caused by sulfur, chlorine, petroleum based solutions or other contaminants in the area of operation are not covered under warranty. Not suitable for natatorium environments.

Due to continuing product improvements, Philips Ledalite reserves the right to change the specifications without notice.

