

Slender. Adaptable. Performance.

MICROSQUARE SUSPENDED LED



DIRECT/INDIRECT, WHITE LENS - DUST COVER
CRI >80 3500K, 5400 lm/4ft

Project:

Spec Type:

Catalog No: MQ06LBGxF

Qty

Line Notes:



Ordering guide

Product Type	Source	Color Temp *	Lumens *	Lower Optics	Upper Optics	Run Length	Wiring †	Voltage	Driver	Finish
MQ06	L	B	G		F					
MicroSquare Suspended Direct/ Indirect	L LED	A 4000K B 3500K C 3000K	G 5400 lm/4ft K 3000 lm/4ft	F White Lens C Continuous White Lens	F Dust Cover	04 4' 08 8' 12 12' XX (4' increments) 04 3'8" 08 7'4" 12 11' XX (3'8" increments)	1 1 cct 2 2 cct L/R or C/ O or 7 Up/Down 1 cct w/ Dimming B 2 cct A/B	1 120V 2 277V 3 347V	E Philips Advance Other drivers available - consult factory	W Standard White A Aluminum B Black C Custom

* Nominal values within a range. Consult ies file for exact color temp, lumens and distribution † Not all wiring types are available with all configurations. Consult factory for complete list of available options

Mounting Hardware

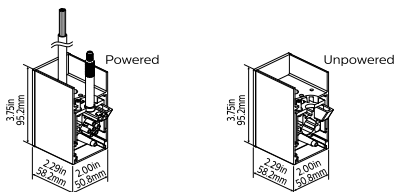
Mount Type
Consult separate mounting spec sheet for mount type options

Suspension Length
Distance from ceiling to top of luminaire in inches

Endcaps -

Integrated Controls Please indicate with check mark.

No Options Available

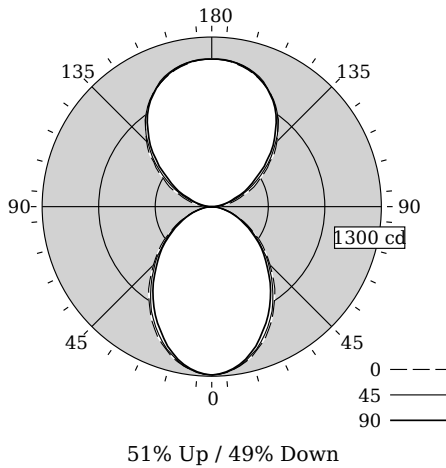


© 2014 Koninklijke Philips N.V. All rights reserved.
Specifications are subject to change without notice.
www.philips.com/luminaires

MICROSQUARE SUSPENDED LED

DIRECT/INDIRECT, WHITE LENS - DUST COVER

Photometry



Total Output	5609 lm
Efficacy	102.2 lm/W
CCT	3387K
CRI	82
R9	5
Distribution	51% Up / 49% Down
Spacing Criteria (0/90/180°)	1.11/1.05/NA
Meets RP-1-04 recommendations for VDT-Normal spaces	

Values per 4ft unit

Fixture photometry has been conducted by an NVLAP accredited testing laboratory in accordance with IESNA LM-79-08

IES files for this and other photometric options can be downloaded online at www.lightingproducts.philips.com

Candela Distribution

Vertical Angle	Horizontal Angle					Zonal Lumens
	0	22.5	45	67.5	90	
0	1291	1291	1291	1291	1291	0
5	1276	1279	1276	1277	1271	121
15	1190	1194	1176	1178	1160	332
25	1035	1043	1017	1013	984	469
35	843	852	817	816	786	516
45	632	645	615	607	584	478
55	446	447	418	420	403	384
65	270	271	258	258	246	260
75	127	129	121	128	118	134
85	32	30	29	31	29	35
90	0	0	0	0	0	0
95	70	50	44	32	39	50
105	195	164	150	129	133	161
115	356	320	307	266	280	299
125	522	502	491	450	446	431
135	707	693	691	655	666	524
145	874	863	876	850	859	539
155	1001	996	1005	997	1002	461
165	1084	1082	1096	1092	1090	307
175	1127	1126	1129	1129	1130	107
180	1131	1131	1131	1131	1131	0

Coefficients of Utilization (%)

RCR	Ceiling: Walk										
	70	80	30	10	70	50	30	50	30	10	0
0	107	107	107	107	98	98	98	83	83	83	49
1	98	94	90	87	90	86	83	73	71	69	42
2	89	82	76	71	82	76	71	64	61	57	36
3	82	73	66	60	75	67	61	57	53	49	31
4	75	65	57	51	69	60	53	51	46	42	27
5	69	58	50	44	63	54	47	46	40	36	23
6	64	52	44	38	59	48	41	41	36	32	21
7	59	47	39	34	54	44	37	38	32	28	19
8	55	43	35	30	51	40	33	34	29	25	17
9	51	39	32	27	47	37	30	32	26	23	15
10	48	36	29	24	44	34	27	29	24	21	14

Avg. Luminance (cd/m²)

Vertical Angle	Horizontal Angle		
	0	45	90
55	14579	13658	13174
65	11945	11441	10894
75	9224	8759	8549
85	6871	6249	6133

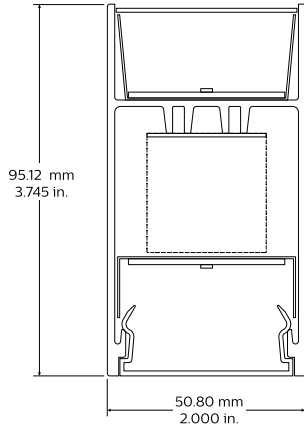
Electrical Specifications

Input Voltage	120V	277V
Input Power	54.9W	54.2W
Input Current	0.46A	0.2A
Power Factor	0.997	0.97
Total Harm. Distortion	6.1%	12.2%
Tested values – contact technical support for rated values. Off-state power zero unless certain controls are specified.		

MICROSQUARE SUSPENDED LED

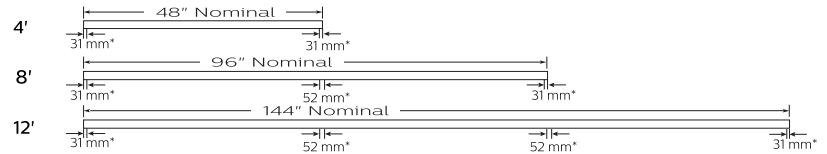
DIRECT/INDIRECT, WHITE LENS - DUST COVER

Options and Details



Modules

Standard modules mount to mount dimensions.



Continuous lens modules mount to mount dimensions.



Note: Refer to installation instructions for exact mount.

* In-Run lens break = 52 mm & lens break at end = 31 mm

Optics & Styles



Continuous style lens at end (C)
(without bottom plate in 44" increments)

Continuous style lens at joint (C)
(without bottom plate in 44" increments)

Standard style lens at end (F)
(31 mm lens break at each end)

Standard style lens at joint (F)
(62 mm lens break at each joint)

Housing

High purity extruded aluminum housing. Contains some recycled material.

Optical System

In the lower hemisphere, white light from downward facing LED sources is directed towards the optical aperture using highly efficient Miro silver reflectors and diffused by a matte frost acrylic extruded lens. In the upper hemisphere, a smooth light distribution is achieved by a combination of the integral LED package optics and an acrylic diffuser / dust cover.

Standard Driver

Dimming 0-10V, 10-100% output is Class 2 rated. Important: Fixture wired for non-dim operation unless dimming is specified.

Lumen Maintenance

Lumen maintenance of the LEDs has been tested by the manufacturer in accordance with IESNA LM-80-08. At an ambient temperature of 25°C, the LED lumen maintenance expectation is: L₈₀ (12k) 60,000h according to IES TM-21-11 Addendum A

Reported methodology L₈₀ (6k) 72,000h according to IES TM-21-11 Projected methodology

Electrical

Factory pre-wired to section ends with quick-wire connectors.

Mounting

Fixed position mounts supplied standard at ends. Aircraft cable gripper provides infinite vertical adjustment capability. Aircraft cable, crimp and cable gripper independently tested to meet stringent safety requirements.

Joints

Self-aligning joining system with hands-free pre-joining wire access.

Endcaps

Each row is completed by a die-cast aluminum end cap. An internal draw-tight connector minimizes the joint line.

Approvals

Complies to US and Canadian Safety Standards. UL or ETL listed and suitable for damp locations.

Finish

High quality powder coated, available in matte White, Aluminum or Black. Other factory and custom colors available on request.

Environment

Rated for dry or damp locations in operating ambient temperatures 0-40°C (32-104°F). Certain luminaire components may be adversely affected by contaminants. Damage caused by sulfur, chlorine, petroleum based solutions or other contaminants in the area of operation are not covered under warranty. Not suitable for natatorium environments.

Due to continuing product improvements, Philips Ledalite reserves the right to change the specifications without notice.



©2014 Koninklijke Philips N.V. All rights reserved.
Specifications are subject to change without notice.
www.philips.com/luminaires

MSQSusp_35K54lm_xF.pdf 02.16 page 3 of 3

Philips Lighting
North America Corporation
200 Franklin Square Drive
Somerset, NJ 08873
Phone: 855-486-2216

Philips Lighting Company
281 Hillmount Road
Markham ON, Canada L6C 2S3
Phone: 800-668-9008