

Slender. Adaptable. Performance.

MICROSQUARE SUSPENDED LED



DIRECT/INDIRECT, WHITE LENS - DUST COVER
CRI >80 3000K, 5400 lm/4ft

Project:

Spec Type:

Catalog No: MQ06LCGxF

Qty

Line Notes:



Ordering guide

Product Type	Source	Color Temp *	Lumens *	Lower Optics	Upper Optics	Run Length	Wiring †	Voltage	Driver	Finish
MQ06	L	C	G		F					
MicroSquare Suspended Direct/ Indirect	L LED	A 4000K B 3500K C 3000K	G 5400 lm/4ft K 3000 lm/4ft	F White Lens C Continuous White Lens	F Dust Cover	04 4' 08 8' 12 12' XX (4' increments) 04 3'8" 08 7'4" 12 11' XX (3'8" increments)	1 1 cct 2 2 cct L/R or C/ O or 7 Up/Down 1 cct w/ Dimming B 2 cct A/B	1 120V 2 277V 3 347V	E Philips Advance Other drivers available - consult factory	W Standard White A Aluminum B Black C Custom

* Nominal values within a range. Consult ies file for exact color temp, lumens and distribution † Not all wiring types are available with all configurations. Consult factory for complete list of available options

Mounting Hardware

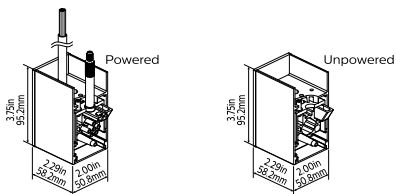
Mount Type
Consult separate mounting spec sheet for mount type options

Suspension Length
Distance from ceiling to top of luminaire in inches

Endcaps -

Integrated Controls Please indicate with check mark.

No Options Available

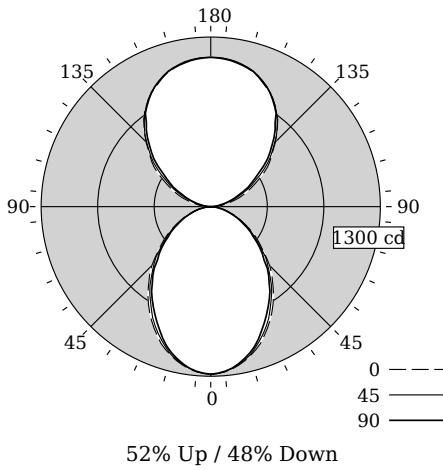


© 2014 Koninklijke Philips N.V. All rights reserved.
Specifications are subject to change without notice.
www.philips.com/luminaires

MICROSQUARE SUSPENDED LED

DIRECT/INDIRECT, WHITE LENS - DUST COVER

Photometry



Total Output	5605 lm
Efficacy	102.1 lm/W
CCT	3020K
CRI	81
R9	1
Distribution	52% Up / 48% Down
Spacing Criteria (0/90/180°)	1.10/1.05/NA
Meets RP-1-04 recommendations for VDT-Normal spaces	

Values per 4ft unit

Fixture photometry has been conducted by an NVLAP accredited testing laboratory in accordance with IESNA LM-79-08

IES files for this and other photometric options can be downloaded online at www.lightingproducts.philips.com

Candela Distribution

Vertical Angle	Horizontal Angle					Zonal Lumens
	0	22.5	45	67.5	90	
0	1285	1285	1285	1285	1285	0
5	1270	1273	1269	1271	1266	120
15	1180	1194	1175	1171	1160	331
25	1028	1040	1009	1010	976	467
35	839	854	814	812	791	513
45	639	640	613	608	577	476
55	436	438	417	423	395	380
65	260	270	257	258	246	258
75	124	126	121	130	121	134
85	29	29	27	33	27	34
90	0	0	0	0	0	0
95	65	47	39	27	33	46
105	190	166	149	126	131	159
115	344	323	308	270	276	299
125	531	510	497	452	449	435
135	702	688	692	659	663	526
145	883	871	879	854	874	543
155	1008	1004	1015	1007	1014	465
165	1097	1094	1103	1104	1101	310
175	1140	1139	1142	1141	1137	108
180	1144	1144	1144	1144	1144	0

Coefficients of Utilization (%)

RCR	Ceiling/Wall										
	70	50	30	10	70	50	30	50	30	10	0
0	107	107	107	107	98	98	98	82	82	82	48
1	98	94	90	87	90	86	83	73	71	69	42
2	89	82	76	71	82	76	71	64	61	57	35
3	82	73	66	60	75	67	61	57	52	49	30
4	75	65	57	51	69	60	53	51	46	42	27
5	69	58	50	44	63	54	47	46	40	36	23
6	64	52	44	38	59	48	41	41	36	32	21
7	59	47	39	34	54	44	37	38	32	28	18
8	55	43	35	30	50	40	33	34	29	25	17
9	51	39	32	27	47	37	30	32	26	23	15
10	48	36	29	24	44	34	27	29	24	20	14

Avg. Luminance (cd/m²)

Vertical Angle	Horizontal Angle		
	0	45	90
55	14222	13616	12894
65	11517	11379	10880
75	8960	8782	8790
85	6295	5718	5718

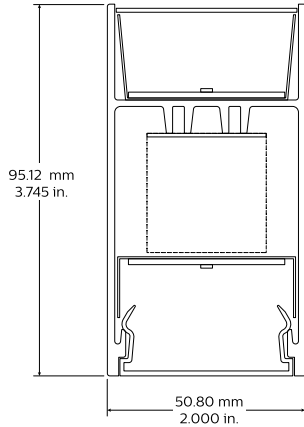
Electrical Specifications

Input Voltage	120V	277V
Input Power	54.9W	54.2W
Input Current	0.46A	0.2A
Power Factor	0.997	0.97
Total Harm. Distortion	6.1%	12.2%
Tested values – contact technical support for rated values. Off-state power zero unless certain controls are specified.		

MICROSQUARE SUSPENDED LED

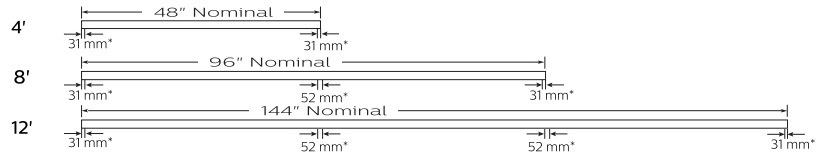
DIRECT/INDIRECT, WHITE LENS - DUST COVER

Options and Details



Modules

Standard modules mount to mount dimensions.



Continuous lens modules mount to mount dimensions.



Note: Refer to installation instructions for exact mount.

* In-Run lens break = 52 mm & lens break at end = 31 mm

Optics & Styles



Continuous style lens at end (C)
(without bottom plate in 44" increments)

Continuous style lens at joint (C)
(without bottom plate in 44" increments)

Standard style lens at end (F)
(31 mm lens break at each end)

Standard style lens at joint (F)
(62 mm lens break at each joint)

Housing

High purity extruded aluminum housing. Contains some recycled material.

Optical System

In the lower hemisphere, white light from downward facing LED sources is directed towards the optical aperture using highly efficient Miro silver reflectors and diffused by a matte frost acrylic extruded lens. In the upper hemisphere, a smooth light distribution is achieved by a combination of the integral LED package optics and an acrylic diffuser / dust cover.

Standard Driver

Dimming 0-10V, 10-100% output is Class 2 rated. Important: Fixture wired for non-dim operation unless dimming is specified.

Lumen Maintenance

Lumen maintenance of the LEDs has been tested by the manufacturer in accordance with IESNA LM-80-08. At an ambient temperature of 25°C, the LED lumen maintenance expectation is: L₈₀ (12k) 60,000h according to IES TM-21-11 Addendum A

Reported methodology
L₈₀ (6k) 72,000h according to IES TM-21-11 Projected methodology

Electrical

Factory pre-wired to section ends with quick-wire connectors.

Mounting

Fixed position mounts supplied standard at ends. Aircraft cable gripper provides infinite vertical adjustment capability. Aircraft cable, crimp and cable gripper independently tested to meet stringent safety requirements.

Joints

Self-aligning joining system with hands-free pre-joining wire access.

Endcaps

Each row is completed by a die-cast aluminum end cap. An internal draw-tight connector minimizes the joint line.

Approvals

Complies to US and Canadian Safety Standards. UL or ETL listed and suitable for damp locations.

Finish

High quality powder coated, available in matte White, Aluminum or Black. Other factory and custom colors available on request.

Environment

Rated for dry or damp locations in operating ambient temperatures 0-40°C (32-104°F). Certain luminaire components may be adversely affected by contaminants. Damage caused by sulfur, chlorine, petroleum based solutions or other contaminants in the area of operation are not covered under warranty. Not suitable for natatorium environments.

Due to continuing product improvements, Philips Ledalite reserves the right to change the specifications without notice.



©2014 Koninklijke Philips N.V. All rights reserved.
Specifications are subject to change without notice.
www.philips.com/luminaires

MSQSusp_30K54lm_xF.pdf 02.16 page 3 of 3

Philips Lighting
North America Corporation
200 Franklin Square Drive
Somerset, NJ 08873
Phone: 855-486-2216

Philips Lighting Company
281 Hillmount Road
Markham ON, Canada L6C 2S3
Phone: 800-668-9008