

Slender. Adaptable. Performance.

MICROSQUARE SUSPENDED LED



DIRECT/INDIRECT, WHITE LENS - DUST COVER
CRI >80 3000K, 3000 lm/4ft

Project: _____

Spec Type: _____

Catalog No: MQ06LCKxF _____

Qty _____

Line Notes: _____



Ordering guide

Product Type	Source	Color Temp *	Lumens *	Lower Optics	Upper Optics	Run Length	Wiring †	Voltage	Driver	Finish
MQ06	L	C	K		F					
MicroSquare Suspended Direct/ Indirect	L LED	A 4000K B 3500K C 3000K	G 5400 lm/4ft K 3000 lm/4ft	F White Lens C Continuous White Lens	F Dust Cover	04 4' 08 8' 12 12' XX (4' increments) 04 3'8" 08 7'4" 12 11' XX (3'8" increments)	1 1 cct 2 2 cct L/R or C/ O or 7 Up/Down 1 cct w/ Dimming B 2 cct A/B	1 120V 2 277V 3 347V	E Philips Advance Other drivers available - consult factory	W Standard White A Aluminum B Black C Custom

* Nominal values within a range. Consult ies file for exact color temp, lumens and distribution † Not all wiring types are available with all configurations. Consult factory for complete list of available options

Mounting Hardware

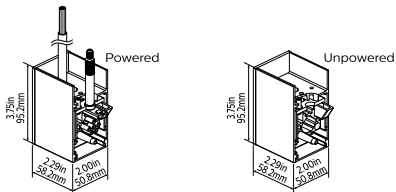
Mount Type
Consult separate mounting spec sheet for mount type options

Suspension Length
Distance from ceiling to top of luminaire in inches

Endcaps -

Integrated Controls Please indicate with check mark.

No Options Available

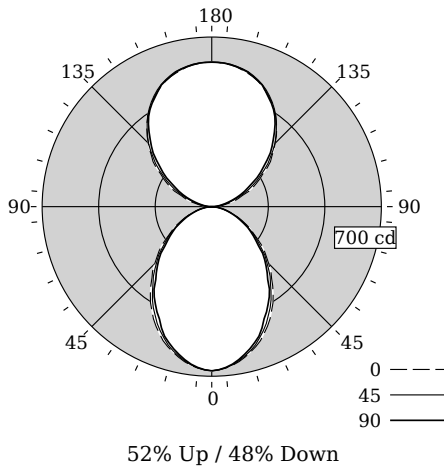


© 2014 Koninklijke Philips N.V. All rights reserved.
Specifications are subject to change without notice.
www.philips.com/luminaires

MICROSQUARE SUSPENDED LED

DIRECT/INDIRECT, WHITE LENS - DUST COVER

Photometry



Total Output	2958 lm
Efficacy	110.0 lm/W
CCT	3008K
CRI	81
R9	3
Distribution	52% Up / 48% Down
Spacing Criteria (0/90/180°)	1.11/1.05/NA
Meets RP-1-04 recommendations for VDT-Intensive spaces	

Values per 4ft unit

Fixture photometry has been conducted by an NVLAP accredited testing laboratory in accordance with IESNA LM-79-08

IES files for this and other photometric options can be downloaded online at www.lightingproducts.philips.com

Candela Distribution

Vertical Angle	Horizontal Angle					Zonal Lumens
	0	22.5	45	67.5	90	
0	678	678	678	678	678	0
5	669	671	668	671	666	63
15	621	627	616	619	608	174
25	545	545	533	532	511	246
35	442	444	426	426	415	269
45	333	335	320	321	309	250
55	228	231	221	222	210	200
65	139	141	135	136	129	136
75	66	67	64	67	64	70
85	15	16	14	16	14	18
90	0	0	0	0	0	0
95	36	25	23	17	20	26
105	102	87	82	69	70	86
115	188	170	169	146	149	162
125	279	268	264	243	246	232
135	370	368	369	352	352	279
145	459	458	461	451	454	285
155	526	525	532	528	526	243
165	571	572	577	575	575	162
175	593	594	595	595	595	57
180	596	596	596	596	596	0

Coefficients of Utilization (%)

RCR	Ceiling											
	Wall	70	50	30	10	70	50	30	50	30	10	0
0		107	107	107	107	98	98	98	82	82	82	48
1		98	94	90	87	90	86	83	73	71	68	41
2		89	82	76	71	82	76	71	64	60	57	35
3		82	73	66	60	75	67	61	57	52	49	30
4		75	64	57	51	69	60	53	51	46	42	26
5		69	58	50	44	63	54	47	46	40	36	23
6		64	52	44	38	58	48	41	41	36	32	21
7		59	47	39	34	54	44	37	38	32	28	18
8		55	43	35	30	50	40	33	34	29	25	17
9		51	39	32	27	47	36	30	32	26	23	15
10		48	36	29	24	44	34	27	29	24	20	14

Avg. Luminance (cd/m²)

Vertical Angle	Horizontal Angle		
	0	45	90
55	7459	7211	6843
65	6177	5987	5702
75	4744	4612	4597
85	3182	3021	2951

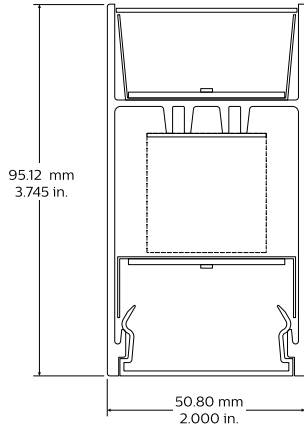
Electrical Specifications

Input Voltage	120V	277V
Input Power	26.9W	26.6W
Input Current	0.23A	0.1A
Power Factor	0.996	0.964
Total Harm. Distortion	7.5%	13.5%
Tested values – contact technical support for rated values. Off-state power zero unless certain controls are specified.		

MICROSQUARE SUSPENDED LED

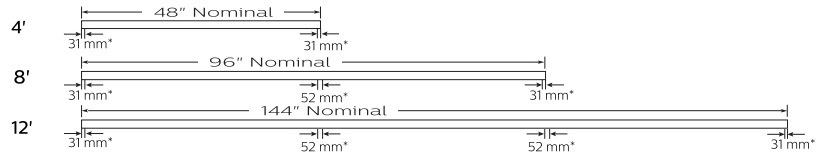
DIRECT/INDIRECT, WHITE LENS - DUST COVER

Options and Details



Modules

Standard modules mount to mount dimensions.



Continuous lens modules mount to mount dimensions.



Note: Refer to installation instructions for exact mount.

* In-Run lens break = 52 mm & lens break at end = 31 mm

Optics & Styles



Continuous style lens at end (C)
(without bottom plate in 44" increments)

Continuous style lens at joint (C)
(without bottom plate in 44" increments)

Standard style lens at end (F)
(31 mm lens break at each end)

Standard style lens at joint (F)
(62 mm lens break at each joint)

Housing

High purity extruded aluminum housing. Contains some recycled material.

Optical System

In the lower hemisphere, white light from downward facing LED sources is directed towards the optical aperture using highly efficient Miro silver reflectors and diffused by a matte frost acrylic extruded lens. In the upper hemisphere, a smooth light distribution is achieved by a combination of the integral LED package optics and an acrylic diffuser / dust cover.

Standard Driver

Dimming 0-10V, 10-100% output is Class 2 rated. Important: Fixture wired for non-dim operation unless dimming is specified.

Lumen Maintenance

Lumen maintenance of the LEDs has been tested by the manufacturer in accordance with IESNA LM-80-08. At an ambient temperature of 25°C, the LED lumen maintenance expectation is: L_{80} (12k) 60,000h according to IES TM-21-11 Addendum A

Reported methodology

L_{80} (6k) 72,000h according to IES TM-21-11 Projected methodology

Electrical

Factory pre-wired to section ends with quick-wire connectors.

Mounting

Fixed position mounts supplied standard at ends. Aircraft cable gripper provides infinite vertical adjustment capability. Aircraft cable, crimp and cable gripper independently tested to meet stringent safety requirements.

Joints

Self-aligning joining system with hands-free pre-joining wire access.

Endcaps

Each row is completed by a die-cast aluminum end cap. An internal draw-tight connector minimizes the joint line.

Approvals

Complies to US and Canadian Safety Standards. UL or ETL listed and suitable for damp locations.

Finish

High quality powder coated, available in matte White, Aluminum or Black. Other factory and custom colors available on request.

Environment

Rated for dry or damp locations in operating ambient temperatures 0-40°C (32-104°F). Certain luminaire components may be adversely affected by contaminants. Damage caused by sulfur, chlorine, petroleum based solutions or other contaminants in the area of operation are not covered under warranty. Not suitable for natatorium environments.

Due to continuing product improvements, Philips Ledalite reserves the right to change the specifications without notice.



©2014 Koninklijke Philips N.V. All rights reserved.
Specifications are subject to change without notice.
www.philips.com/luminaires

MSQSusp_30K30lm_xF.pdf 02.16 page 3 of 3

Philips Lighting
North America Corporation
200 Franklin Square Drive
Somerset, NJ 08873
Phone: 855-486-2216

Philips Lighting Company
281 Hillmount Road
Markham ON, Canada L6C 2S3
Phone: 800-668-9008