

Slender. Adaptable. Performance.

MICROSQUARE SUSPENDED LED



INDIRECT, DUST COVER
CRI >80 3000K, 1500 lm/4ft

Project:

Spec Type:

Catalog No: MQ03LCKNF

Qty

Line Notes:



Ordering guide

Product Type	Source	Color Temp *	Lumens *	Lower Optics	Upper Optics	Run Length	Wiring †	Voltage	Driver	Finish
MQ03	L	C	K	N	F					
MicroSquare Suspended Indirect	L LED	A 4000K B 3500K C 3000K	G 2900 lm/4ft K 1500 lm/4ft	N Solid Housing	F Dust Cover	04 4' 08 8' 12 12' XX Total run length (4' increments)	1 1 cct 7 1 cct w/ Dimming B 2 cct A/B	1 120V 2 277V 3 347V	E Philips Advance Other drivers available - consult factory	W Standard White A Aluminum B Black C Custom

* Nominal values within a range. Consult ies file for exact color temp, lumens and distribution † Not all wiring types are available with all configurations. Consult factory for complete list of available options

Mounting Hardware

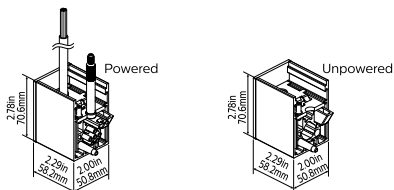
Mount Type
Consult separate mounting spec sheet for mount type options

Suspension Length
Distance from ceiling to top of luminaire in inches

Endcaps -

Integrated Controls Please indicate with check mark.

No Options Available

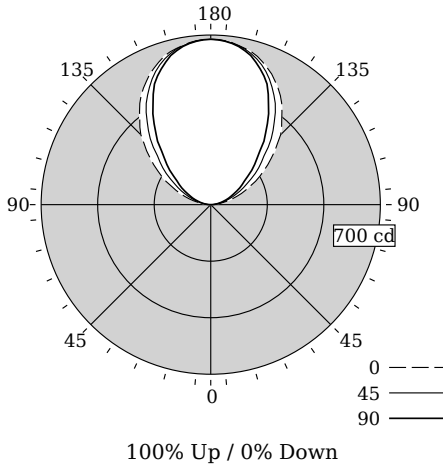


© 2014 Koninklijke Philips N.V. All rights reserved.
Specifications are subject to change without notice.
www.philips.com/luminaires

MICROSQUARE SUSPENDED LED

INDIRECT, DUST COVER

Photometry



Total Output	1477 lm
Efficacy	103.3 lm/W
CCT	2999K
CRI	81
R9	3
Distribution	100% Up / 0% Down
Peak/Zenith Ratio	1.00
Peak Output	682 cd @ 180°
Meets RP-1-04 recommendations for VDT-Intensive spaces	

Values per 4ft unit

Fixture photometry has been conducted by an NVLAP accredited testing laboratory in accordance with IESNA LM-79-08

IES files for this and other photometric options can be downloaded online at www.lightingproducts.philips.com

Candela Distribution

Vertical Angle	Horizontal Angle				Zonal Lumens
	0	22.5	45	67.5	
0	0	0	0	0	0
5	0	0	0	0	0
15	0	0	0	0	0
25	0	0	0	0	0
35	0	0	0	0	0
45	0	0	0	0	0
55	0	0	0	0	0
65	0	0	0	0	0
75	0	0	0	0	0
85	0	0	0	0	0
90	0	0	0	0	0
95	25	20	17	15	21
105	92	76	66	53	72
115	178	159	134	107	135
125	288	255	224	179	200
135	408	379	336	278	270
145	511	491	465	414	408
155	595	583	572	544	550
165	652	646	645	635	637
175	679	678	678	676	677
180	682	682	682	682	682

Coefficients of Utilization (%)

RCR	Ceiling: 80				70				50				0			
	70	50	30	10	70	50	30	10	50	30	10	0	50	30	10	0
0	95	95	95	95	81	81	81	81	56	56	56	56	0	0	0	0
1	87	83	79	76	74	71	68	68	48	47	45	45	0	0	0	0
2	79	72	66	62	67	62	57	57	42	40	37	37	0	0	0	0
3	72	63	57	51	61	54	49	49	37	34	31	31	0	0	0	0
4	65	56	48	43	56	48	42	42	33	29	26	26	0	0	0	0
5	60	49	42	36	51	42	36	36	29	25	22	22	0	0	0	0
6	55	44	36	31	47	38	32	32	26	22	19	19	0	0	0	0
7	50	39	32	27	43	34	28	28	23	19	17	17	0	0	0	0
8	47	35	28	23	40	30	24	24	21	17	14	14	0	0	0	0
9	43	32	25	20	37	27	22	22	19	15	13	13	0	0	0	0
10	40	29	22	18	34	25	19	19	17	14	11	11	0	0	0	0

Avg. Luminance (cd/m²)

Vertical Angle	Horizontal Angle		
	0	45	90
55	0	0	0
65	0	0	0
75	0	0	0
85	0	0	0

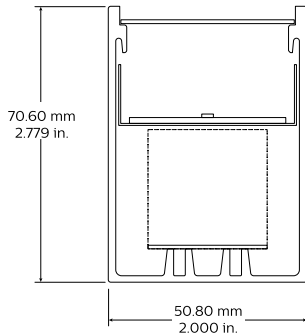
Electrical Specifications

Input Voltage	120V	277V
Input Power	14.3W	14.5W
Input Current	0.12A	0.06A
Power Factor	0.992	0.921
Total Harm. Distortion	9.7%	15%
Tested values – contact technical support for rated values. Off-state power zero unless certain controls are specified.		

MICROSQUARE SUSPENDED LED

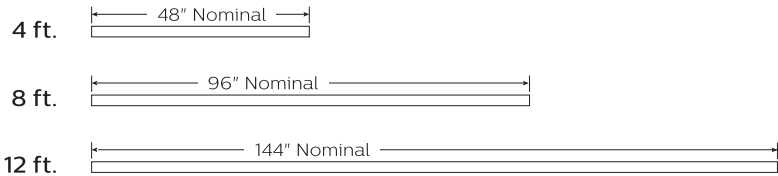
INDIRECT, DUST COVER

Options and Details



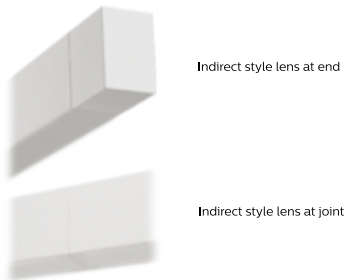
Modules

Standard modules mount to mount dimensions.



Note: Refer to installation instructions for exact mount.

Optics & Styles



Housing

High purity extruded aluminum housing. Contains some recycled material.

Optical System

In the lower hemisphere, white light from downward facing LED sources is directed towards the optical aperture using highly efficient Miro silver reflectors and diffused by a matte frost acrylic extruded lens. In the upper hemisphere, a smooth light distribution is achieved by a combination of the integral LED package optics and an acrylic diffuser / dust cover.

Standard Driver

Dimming 0-10V, 10-100%, output is Class 2 rated.
Important: Fixture wired for non-dim operation unless dimming is specified.

Lumen Maintenance

Lumen maintenance of the LEDs has been tested by the manufacturer in accordance with IESNA LM-80-08. At an ambient temperature of 25°C, the LED lumen maintenance expectation is:
 L_{80} (12k) 60,000h according to IES TM-21-11 Addendum A Reported methodology
 L_{80} (6k) 72,000h according to IES TM-21-11 Projected methodology

Electrical

Factory pre-wired to section ends with quick-wire connectors.

Mounting

Fixed position mounts supplied standard at ends. Aircraft cable gripper provides infinite vertical adjustment capability. Aircraft cable, crimp and cable gripper independently tested to meet stringent safety requirements.

Joints

Self-aligning joining system with hands-free pre-joining wire access.

Endcaps

Each row is completed by a die-cast aluminum end cap. An internal draw-tight connector minimizes the joint line.

Approvals

Complies to US and Canadian Safety Standards. UL or ETL listed and suitable for damp locations.

Finish

High quality powder coated, available in matte White, Aluminum or Black. Other factory and custom colors available on request.

Environment

Rated for dry or damp locations in operating ambient temperatures 0-40°C (32-104°F). Certain luminaire components may be adversely affected by contaminants. Damage caused by sulfur, chlorine, petroleum based solutions or other contaminants in the area of operation are not covered under warranty. Not suitable for natatorium environments.

Due to continuing product improvements, Philips Ledalite reserves the right to change the specifications without notice.



©2014 Koninklijke Philips N.V. All rights reserved.
Specifications are subject to change without notice.
www.philips.com/luminaires

MSQSusp_30K15lm_NF.pdf 02.16 page 3 of 3

Philips Lighting
North America Corporation
200 Franklin Square Drive
Somerset, NJ 08873
Phone: 855-486-2216

Philips Lighting Company
281 Hillmount Road
Markham ON, Canada L6C 2S3
Phone: 800-668-9008