

TruGroove suspended, surface & wall is driving performance beyond the edge. Innovative optics deliver exceptional uniformity and wide row spacing from a 3" aperture continuous line of light. An extended family and refined design are perfect for lighting any professional space.

TruGroove suspended now includes AccuRender technology for the highest color quality at the highest efficacy

Project: _____
 Location: _____
 Cat.No: _____
 Type: _____
 Line ID: _____ Qty: _____
 Notes: _____

Ordering guide

example: 2905L93535QQ08DS1RCST, A6-1-24

| Family | Version | Distribution | Source | CRI/CCT ¹ | |
|---|---|--|--|--|--|
| 29 | 0 | | L | | |
| 29 TruGroove | 0 Suspended | 1 Direct 3 Indirect 5 Indirect / Direct 6 Direct / Indirect | L LED | 950 CRI 90, 5000K 940 CRI 90, 4000K 935 CRI 90, 3500K | 930 CRI 90, 3000K 927 CRI 90, 2700K 8T2 CRI 80, 2700-6500K 2ch Tunable White (confirm controls) ⁵ |
| Lumens ¹ | | Optics (Direct/Indirect) | | Run Length | |
| 40 4000 lm/4ft 30 3000 lm/4ft 22 2200 lm/4ft 15 1500 lm/4ft | | QN Performance Symmetric Flush MesoOptics Lens (Dn) LN Definition Symmetric Flush Silk Lens (Dn) WN Performance Asymmetric Wall Wash Flush MesoOptics Lens (Dn) | | 02 2ft 03 3ft ¹² 04 4ft 05 5ft ¹² 06 6ft 08 8ft XX Continuous run in 1ft increments (please specify length) ⁹ | |
| 48 4800 lm/4ft 32 3200 lm/4ft | | NQ Performance Symmetric Lens (Up) NW Performance Asymmetric Lens (Up) | | | |
| 68 6800 lm/4ft (70% Up) 52 5200 lm/4ft (60% Up) 46 4600 lm/4ft (70% Up) 35 3500 lm/4ft (60% Up) | | QQ Performance Symmetric MesoOptics Lens (Dn) Performance Symmetric Lens (Up) LQ Definition Symmetric Flush Silk Lens (Dn) Performance Symmetric Lens (Up) WW Performance Asymmetric Wall Wash MesoOptics Lens (Dn) Performance Asymmetric Lens (Up) | | | Suspended Patterns⁸: A4 2 ft x 2 ft Flat Corner (90°) |
| 68 6800 lm/4ft (60% Down) 52 5200 lm/4ft (60% Down) 46 4600 lm/4ft (70% Down) 35 3500 lm/4ft (60% Down) | | | | | |
| Voltage | Driver | Circuit ^{2,10} | Wiring Option ^{2,10} | System / Controls ⁹ | |
| D UNV 120-277V 3 347V ³ | E Advance Xitanium 0-10V (1% Dim) | 1 Single Circuit C Single Circuit + 1 Thru Wire (BP Trigger) ¹¹ F Single Circuit + 4 Thru Wires (Mains & Dimming) ¹¹ G Dual Circuit (Up/Down) L Dual Circuit (Up/Down) + 1 Thru Wire (BP Trigger) ¹¹ J Dual Circuit + 4 Thru Wires (Mains & Dimming) ¹¹ | N None B Battery Pack ³ E Aux. Wiring ⁶ G GTD ³ (please specify voltage) | NN None | |
| D UNV 120-277V | D Advance Xitanium DALI (5% Dim) ³ H Lutron EcoSystem LDE1 (<1% Dim, Fade-to-Black) ³ | | | | |
| D UNV 120-277V | S Advance Xitanium SR (1% Dim) ³ | 1 Single Circuit C Single Circuit + 1 Thru Wire (BP Trigger) ¹¹ | N None B Battery Pack ³ R UL924 Sensor Bypass Relay ¹³ | NN None CS Interact Pro scalable wireless sensor with integral daylight & occupancy sensing, advanced grouping with dwell time ^{4,14} SB Interact Pro Enterprise advanced wireless sensor bundle, Integral SC1500 with IoT capabilities for enterprise scale projects ^{4,12,14} | |
| L Low Voltage (48-54V DC) | P PoE Lighting Controller ¹⁵ | 1 Single Circuit | N None B Battery Pack ³ | NN None IO Interact Office wired sensor with integral daylighting & occupancy sensing, enables wired connected lighting control ^{4,12} SB Interact Office advanced wired sensor bundle, Integral SC2000 with IoT capabilities for enterprise scale projects ^{4,12} | |
| Finish | Mount Type | | | Suspension | |
| W Standard White T Titanium Silver B Black G Graphite Grey C Custom (please specify color) | A1 Non-accessible ceiling, 0'-15' Slope Mount A2 T-Grid, Fixed Position Mount A3 Non-accessible ceiling, 0'-90' Slope Mount A5 T-Grid 24" Span Mount (non tegular tile only) | A6-1 T-Grid On-Grid Mount 15/16" (non tegular tile only) A6-2 T-Grid On-Grid Mount 9/16" (non tegular tile only) A6-3 T-Grid On-Grid Mount 9/16" x 5/16" (slot tee & tegular tile) | | 24 24" 144 144" 48 48" 192 192" 96 96" 240 240" | |

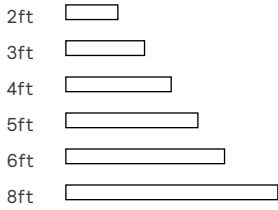
DLC Note: Not all product variations listed on this page are DLC qualified. To ensure that a specific model is qualified, visit www.designlights.org/search

TruGroove suspended

Options and dimensions

Standalone

Keep it simple with standalone modules, available in 6 standard lengths (consult Ledalite for custom lengths).



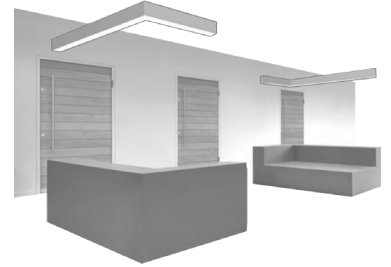
Continuous Run

Continuous Run in 1ft increments (enquire about smaller increments)



Patterns

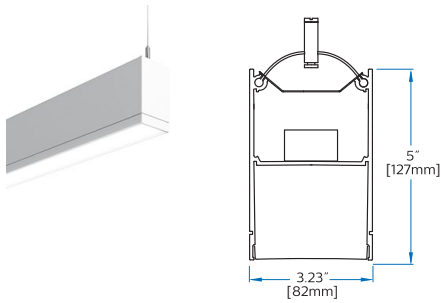
Seamlessly create any pattern imaginable (flat corners are 90°, contact Ledalite for custom angles and intersections).



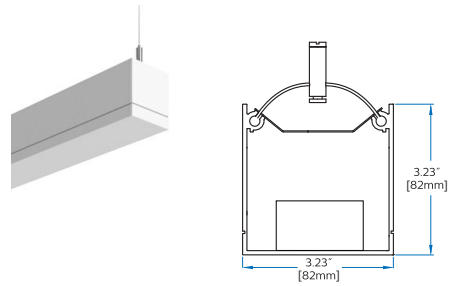
Flush lens

TruGroove suspended with 3" wide Flush MesoOptics or Silk lens.

Direct & Direct/Indirect



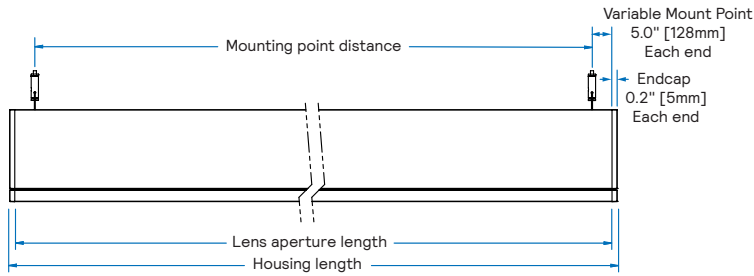
Indirect



TruGroove suspended

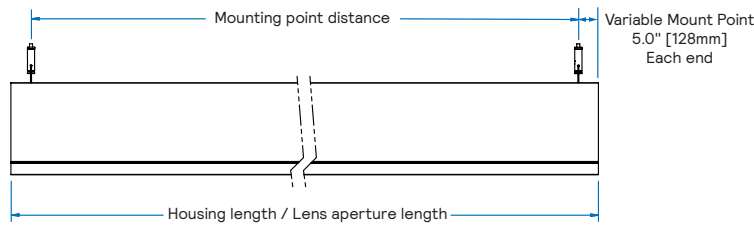
Side Views

Standalone



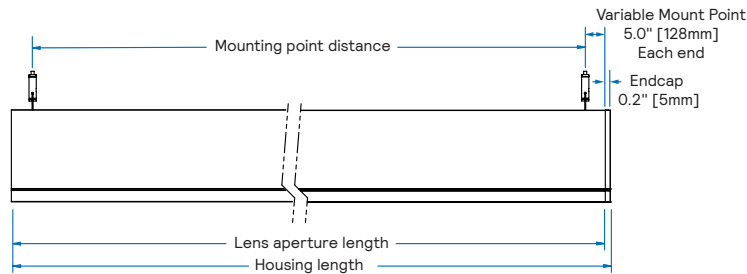
| Nominal | Housing | Lens Aperture | Mounting Points |
|---------|----------------|----------------|----------------------------------|
| 2ft | 24.4" [620mm] | 24.0" [610mm] | 14.0" [559mm] to 23.5" [597mm] |
| 3ft | 36.4" [925mm] | 36.0" [914mm] | 26.0" [864mm] to 35.5" [902mm] |
| 4ft | 48.4" [1230mm] | 48.0" [1219mm] | 38.0" [1168mm] to 47.5" [1207mm] |
| 5ft | 60.4" [1535mm] | 60.0" [1524mm] | 50.0" [1473mm] to 59.5" [1511mm] |
| 6ft | 72.4" [1840mm] | 72.0" [1829mm] | 62.0" [1718mm] to 71.5" [1816mm] |
| 8ft | 96.4" [2449mm] | 96.0" [2438mm] | 86.0" [2388mm] to 95.5" [2426mm] |

Continuous Run (Mid-run)



| Nominal | Housing | Lens Aperture | Mounting Points |
|---------|----------------|----------------|----------------------------------|
| 2ft | 24.0" [610mm] | 24.0" [610mm] | 14.0" [559mm] to 23.5" [597mm] |
| 3ft | 36.0" [914mm] | 36.0" [914mm] | 26.0" [864mm] to 35.5" [902mm] |
| 4ft | 48.0" [1219mm] | 48.0" [1219mm] | 38.0" [1168mm] to 47.5" [1207mm] |
| 5ft | 60.0" [1524mm] | 60.0" [1524mm] | 50.0" [1473mm] to 59.5" [1511mm] |
| 6ft | 72.0" [1829mm] | 72.0" [1829mm] | 62.0" [1718mm] to 71.5" [1816mm] |
| 8ft | 96.0" [2438mm] | 96.0" [2438mm] | 86.0" [2388mm] to 95.5" [2426mm] |

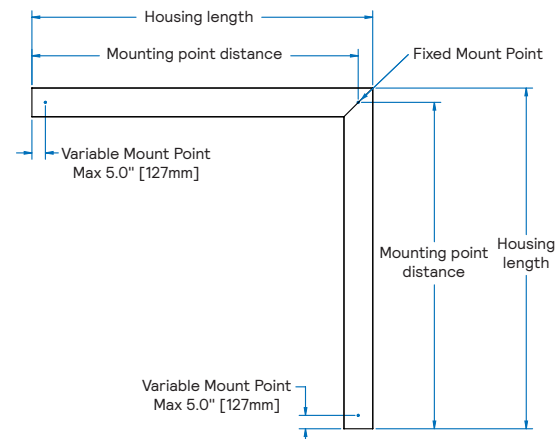
Continuous Run (End-run)



| Nominal | Housing | Lens Aperture | Mounting Points |
|---------|----------------|----------------|----------------------------------|
| 2ft | 24.2" [610mm] | 24.0" [610mm] | 14.0" [559mm] to 23.5" [597mm] |
| 3ft | 36.2" [914mm] | 36.0" [914mm] | 26.0" [864mm] to 35.5" [902mm] |
| 4ft | 48.2" [1219mm] | 48.0" [1219mm] | 38.0" [1168mm] to 47.5" [1207mm] |
| 5ft | 60.2" [1524mm] | 60.0" [1524mm] | 50.0" [1473mm] to 59.5" [1511mm] |
| 6ft | 72.2" [1829mm] | 72.0" [1829mm] | 62.0" [1718mm] to 71.5" [1816mm] |
| 8ft | 96.2" [2438mm] | 96.0" [2438mm] | 86.0" [2388mm] to 95.5" [2426mm] |

Top View

Flat Corner 90°



| Nominal | Housing | Mounting Points |
|-----------|---------------|-----------------|
| 2ft x 2ft | 25.6" [651mm] | 24.0" [610mm] |

Flat corners are 2ft x 2ft and can be used to create suspended patterns. Flat corners are 90°, contact Ledalite for custom angles and intersections.

Note: In corners, the upper hemisphere is always symmetric.

TruGroove suspended

Specifications

Optical System

Direct hemisphere: White light emitted from a linear array of downward-facing LEDs is laterally redirected using optical microstructures embedded in a layer of MesoOptics DX film. An extruded acrylic lens and MesoOptics film assembly then generates an optimal batwing distribution and a uniform continuum of light. The available Flush Silk Lens optics is a value-oriented option that provides a lambertian distribution while maintaining a uniform continuum of light.

Indirect hemisphere: White light emitted from a linear array of upward-facing LEDs is shaped into a homogeneous, wide-throw batwing distribution or a low peak angle asymmetric throw using either a freeform elliptical lens or an engineered light guide panel.

Housing

Post painted precision aluminum extrusion.

Endcaps

Diecast flat aluminum endcaps with integral groove to match housing.

Finish

High quality powder coated, available in standard Matte White, Black, Titanium Silver or Graphite Grey. TruGroove can also be specified in any custom color upon request for a one-time setup charge. Optional sensors (such as Interact Pro) available in white only.

Mounting

Suspended: Variable sling mount allows $\pm 5"$ of horizontal adjustment from joint or end. Aircraft cable and tamper-resistant gripper provide unlimited vertical adjustment and are independently tested to stringent safety standards.

Joints

Self-aligning joining system with hands-free pre-joining wire access.

Weight

Maximum 3.9lbs/ft (suspended), 21lb (2ft x 2ft suspended corner)

Electrical

Fixtures are factory pre-wired to section ends with quick-wire connectors and tested for all circuits and backup battery packs. LED boards and drivers are easily field replaceable with access from below the ceiling.

Standard Drivers

Advance Xitanium 0-10V, 1% Dimming.
Advance Xitanium DALI, 5% Dimming.
Advance Xitanium Sensor Ready, 1% Dimming.
PoE Lighting Controller (for PoE tunable white).
Lutron EcoSystem LDE1, 1% Dimming with Soft-On and Fade-to-Black.
Class 2 rated output. Consult Ledalite for other available drivers.

Standard Battery Packs

Bodine Battery Pack, 90 min, 10W, Class 2 rated output.
Lumen output = 10W x luminaire efficacy x 1.1. Typical output ~1200lm.

PoE Battery Pack, 90 min, 6W, Class 2 rated output.
Lumen output = 6W x luminaire efficacy. Typical output ~650lm.

Lumen Maintenance

LEDs have been tested by the manufacturer in accordance with IESNA LM-80-15. At an ambient temperature of 25°C, the LED lumen maintenance expectation according to IES TM-21-11 is:
 $L_{80}(10k) > 60,000$ hours (Reported methodology).

Source Color

LEDs rated for color rendering of:
 $CRI R_a \geq 90, R_g \geq 50, G_a \geq 97, C_g \geq 90$
IES TM-30-18: $R_f \geq 90, R_{f,hl} \geq 89, R_g \geq 99, R_{cs,hl} \geq -5\%$
SPD and TM-30-18 reports available upon request
Fixture to fixture color accuracy within:
2 SDCM for Static White luminaires
3 SDCM for Tunable White luminaires

Approvals

Certified to UL, IES & CSA Standards.

Certain versions without battery packs are DesignLights Consortium® qualified. Please see the DLC QPL list for exact catalog numbers.
www.designlights.org/QPL

Select TruGroove configurations contribute toward satisfying features L03, L04, L06, L07 and L08 under the WELL v2 Building Standard®.

Environment

Rated for dry or damp locations in operating ambient temperatures of 0-25°C (32-77°F).

Many luminaire components, such as reflectors, refractors, lenses, and LEDs are made from various types of plastics which can be adversely affected by airborne contaminants. If sulfur-based chemicals, petroleum-based products, cleaning solutions, or other contaminants are expected in the intended area of use, consult factory for compatibility. Damage caused by sulfur, chlorine, petroleum-based solution or other contaminants are not covered under warranty. Not suitable for natatorium environments.

Warranty

Five-year luminaire limited warranty including LED boards and driver:
www.signify.com/warranties

QuickShip

10-day QuickShip available for most configurations upon request. More information available at:
www.signify.com/en-us/brands/ledalite/quickship

TruGroove suspended

Wireless Controls Options

Interact Pro scalable sensor for Foundation, Advanced & Enterprise tiers (CS an evolution of SpaceWise):

- CS is a connected sensor with integral occupancy and daylight sensing and supports wireless mesh connectivity.
- The sensor works in the Foundation mode (similar to SpaceWise) when configured without a gateway or in an Interact Pro Advanced or Enterprise mode if a compatible gateway is used.
- Interact Pro includes an App, a portal and a broad portfolio of wireless luminaires, lamps and retrofit kits all working on the same system.
- Startup is implemented via Interact Pro App (Android or iPhone) & Bluetooth connectivity. The App provides flexibility to choose between a gateway or non gateway mode for setup.
- Setup with the gateway requires wired internet access to the gateway. It is possible to add a gateway at a later point.
- Prepare project configuration steps remotely and use IRT9015 remote onsite to identify and group devices together.
- Compatible with UID8451/10 wireless dimmer switch, SWS200 wireless scene switch, wireless Occ sensor (OCC SENSOR IA CM IP42 WH 10/1) and wireless Day/Occ sensor (OCC MULTI SENSOR IA CM WH 10/1).
- For more information on Interact Pro visit:
www.interact-lighting.com/interactproscalablesystem

Emergency Options (R):

- Power Sensing (Factory default) – Recommended
- UL924 option requires unswitched power sense line, absence of voltage on the normal circuit triggers luminaire to 100% output.
- Power Interruption Detection (Field option)
- Detects AC power interruption >30ms triggers 90 minute emergency mode with luminaire at 100% output.

Interact Pro scalable sensor bundles for Enterprise tier (SB):

- SB option, in addition to occupancy and daylight sensing, supports advanced IoT capabilities such as people estimation analysis, desk level temperature & humidity sensing, noise classification, and BLE beacon.
- Compatible with UID8451/10 wireless dimmer switch, SWS200 wireless scene switch, wireless Occ sensor (OCC SENSOR IA CM IP42 WH 10/1) and wireless Day/Occ sensor (OCC MULTI SENSOR IA CM WH 10/1).
- Use Interact software and insights to increase building efficiency, achieve building wide integration and optimize space through occupancy analytics.
- Requires compatible Gateway and internet connectivity for commissioning. For more information, visit:
www.interact-lighting.com/office

Wired Controls Options

Interact Office Wired PoE (IO & SB):

- PoE based IoT connected lighting solution for large enterprises that span across multiple floors, buildings and require multiple gateways.
- Use Interact software and insights to increase building efficiency, achieve building wide integration and optimize space through occupancy analytics.
- Integral sensor option for occupancy sensing (PIR) and/or daylight harvesting available for additional energy savings.
- SB option, in addition to occupancy and daylight sensing, supports advanced IoT capabilities such as people estimation analysis, desk level temperature & humidity sensing, noise classification, and BLE beacon.
- Optional integral emergency controller and battery pack provides backup lighting in the case of a power outage. Test switch and indicator light mounted on the chassis.
- Emergency battery has a 3 month pre-installed shelf life, and must be stored and installed in environments of -20°C to 30°C (-4F to 86F) ambient, and 45-85% relative humidity.
- For more information on Interact Office Wired visit:
www.interact-lighting.com/office

Note: Signify Interact Office Luminaires are not sold individually and are only compatible with Signify's Interact Office control system & software. The system requires a compatible back-end IT infrastructure for normal operations, please consult your Signify representative for additional information.

Tunable White:

- Tunable White is available in Interact Office Wired PoE luminaires. Other control options for Tunable White with DALI (DT6 or DT8), 0-10V, Lutron T Series or DMX control are available via an Engineered-to-Order (ETO) request.
- Signify tunable white solutions are designed to help maximize the influence of lighting on your daily life.
- Dynamic behaviors via scheduled lighting recipes mimicking daylight patterns or supporting biorhythms.
- Scene setting via lighting pre-sets based on various combinations of lighting color temperature and intensity.

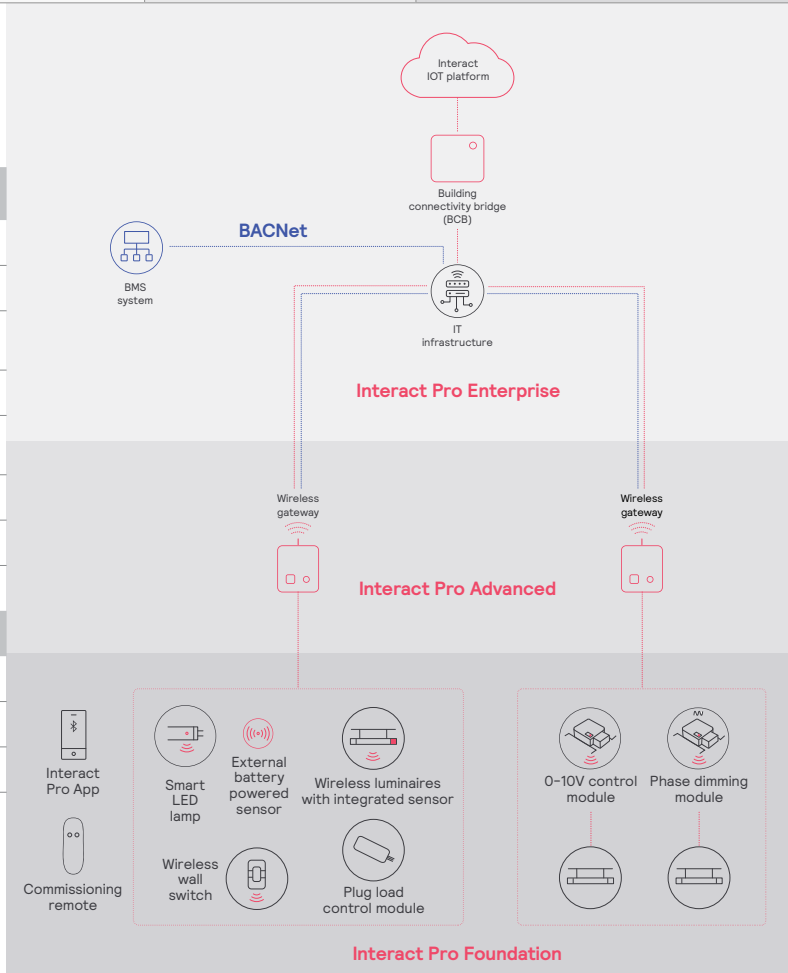
TruGroove suspended

| Interact Pro scalable system | | | |
|---|------------|----------|------------|
| | Foundation | Advanced | Enterprise |
| Dimming, grouping, and zoning | ✓ | ✓ | ✓ |
| Bluetooth and ZigBee enabled | ✓ | ✓ | ✓ |
| Motion sensing and daylight harvesting | ✓ | ✓ | ✓ |
| Integration with 0-10V and phase dimming fixtures | ✓ | ✓ | ✓ |
| Code compliance | ✓ | ✓ | ✓ |
| Granular dimming and dwell time | ✓ | ✓ | ✓ |
| Energy reporting and monitoring | | ✓ | ✓ |
| Scheduling | | ✓ | ✓ |
| Demand response | | ✓ | ✓ |
| BMS integration (BACnet) | | | ✓ |
| Floor plan visualization | | | ✓ |
| IoT sensors for wellness | | | ✓ |
| IoT Apps for productivity | | | ✓ |

Currently supported maximum system size

To be able to design the lighting system correctly for the customer, it is important to know the prime characteristics of the system, its possibilities and limitations.

| System level | |
|--|---------------------|
| Total number of gateways | Unlimited |
| Total number of devices | 200 per network |
| • luminaires with integrated sensors | 150 |
| • smart TLEDS | 150 |
| Total number of ZGP devices (sensors and switches) | 50 |
| • sensors | 30 |
| • switches | 50 |
| • zones and groups | 64 |
| Group level | |
| Recommended number of lights | 40 (recommended 25) |
| Number of ZGP devices | 5 |
| Number of scenes | 16 |



TruGroove suspended

Colorimetry

TruGroove suspended (29xx) AccuRender Static White

| Nominal CRI & CCT | | CRI 90, 2700K | CRI 90, 3000K | CRI 90, 3500K | CRI 90, 4000K | CRI 90, 5000K |
|-----------------------------|--------------|---------------|---------------|---------------|---------------|---------------|
| CIE 013.3-1995 ¹ | CRI R_a | 94 | 93 | 93 | 93 | 93 |
| | R_s | 55 | 57 | 59 | 64 | 68 |
| | G_a | 99 | 99 | 99 | 99 | 99 |
| | C_g | 93 | 93 | 93 | 93 | 94 |
| IES TM-30-18 ² | R_f | 92 | 91 | 91 | 91 | 90 |
| | R_{f,h_1} | 90 | 90 | 90 | 91 | 89 |
| | R_g | 100 | 100 | 99 | 100 | 100 |
| | R_{cs,h_1} | -6% | -5% | -6% | -5% | -5% |
| MDER ³ | | 0.45 | 0.51 | 0.58 | 0.65 | 0.81 |

1. Color Rendering Index (CRI Ra) and Strong Red (R9) are calculated in accordance with CIE 013.3-1995. Color Gamut index (Ga) and red chroma Index (C9) are CIE based properties using the Global Lighting Association's calculation tool.

2. Fidelity Index (Rf), Red Fidelity Index (Rf,h1), Gamut Index (Rg), and Red Local Chroma Shift (Rcs,h1) are calculated in accordance with IES TM-30-18.-18.

3. Melanopic Daylight Efficacy Ratio (MDER) is the measure for "spectral melanopic efficiency" as defined in CIE S 026-2018.

TruGroove suspended

Photometry

Direct (2901) Performance Symmetric Flush MesoOptic Lens - QN

Click "PDF" or "IES" text to download

| Nominal CRI & CCT | | CRI 90, 2700K | | | | | CRI 90, 3000K | | | | | CRI 90, 3500K | | | | | CRI 90, 4000K | | | | | CRI 90, 5000K | | | | |
|--------------------------------|-------|----------------------------|-----------------------------|------------------|-------------------|----------|----------------------------|-----------------------------|------------------|-------------------|----------|----------------------------|-----------------------------|------------------|-------------------|----------|----------------------------|-----------------------------|------------------|-------------------|----------|----------------------------|-----------------------------|------------------|-------------------|----------|
| Nominal Lumen Package (lm/4ft) | Watts | Flux (lm/4ft) ¹ | Efficacy (LPW) ¹ | UGR ² | Photometry Report | IES File | Flux (lm/4ft) ¹ | Efficacy (LPW) ¹ | UGR ² | Photometry Report | IES File | Flux (lm/4ft) ¹ | Efficacy (LPW) ¹ | UGR ² | Photometry Report | IES File | Flux (lm/4ft) ¹ | Efficacy (LPW) ¹ | UGR ² | Photometry Report | IES File | Flux (lm/4ft) ¹ | Efficacy (LPW) ¹ | UGR ² | Photometry Report | IES File |
| 4000 | 42.0 | 3,747 | 89.2 | 23.9 | PDF | IES | 3,854 | 91.8 | 24.0 | PDF | IES | 4,003 | 95.3 | 24.1 | PDF | IES | 4,060 | 96.7 | 24.2 | PDF | IES | 4,151 | 98.8 | 24.2 | PDF | IES |
| 3000 | 32.9 | 2,998 | 91.1 | 23.1 | PDF | IES | 3,082 | 93.7 | 23.2 | PDF | IES | 3,192 | 97.0 | 23.3 | PDF | IES | 3,242 | 98.5 | 23.4 | PDF | IES | 3,316 | 100.8 | 23.5 | PDF | IES |
| 2200 | 22.2 | 2,023 | 91.1 | 21.8 | PDF | IES | 2,082 | 93.8 | 21.9 | PDF | IES | 2,148 | 96.8 | 22.0 | PDF | IES | 2,186 | 98.5 | 22.0 | PDF | IES | 2,234 | 100.6 | 22.1 | PDF | IES |
| 1500 | 14.7 | 1,361 | 92.6 | 20.4 | PDF | IES | 1,403 | 95.4 | 20.5 | PDF | IES | 1,444 | 98.2 | 20.6 | PDF | IES | 1,471 | 100.1 | 20.6 | PDF | IES | 1,500 | 102.0 | 20.7 | PDF | IES |

Direct (2901) Performance Asymmetric Flush MesoOptics Lens - WN

Click "PDF" or "IES" text to download

| Nominal CRI & CCT | | CRI 90, 2700K | | | | | CRI 90, 3000K | | | | | CRI 90, 3500K | | | | | CRI 90, 4000K | | | | | CRI 90, 5000K | | | | |
|--------------------------------|-------|----------------------------|-----------------------------|------------------|-------------------|----------|----------------------------|-----------------------------|------------------|-------------------|----------|----------------------------|-----------------------------|------------------|-------------------|----------|----------------------------|-----------------------------|------------------|-------------------|----------|----------------------------|-----------------------------|------------------|-------------------|----------|
| Nominal Lumen Package (lm/4ft) | Watts | Flux (lm/4ft) ¹ | Efficacy (LPW) ¹ | UGR ² | Photometry Report | IES File | Flux (lm/4ft) ¹ | Efficacy (LPW) ¹ | UGR ² | Photometry Report | IES File | Flux (lm/4ft) ¹ | Efficacy (LPW) ¹ | UGR ² | Photometry Report | IES File | Flux (lm/4ft) ¹ | Efficacy (LPW) ¹ | UGR ² | Photometry Report | IES File | Flux (lm/4ft) ¹ | Efficacy (LPW) ¹ | UGR ² | Photometry Report | IES File |
| 4000 | 42.0 | 3,434 | 81.8 | 23.2 | PDF | IES | 3,532 | 84.1 | 23.3 | PDF | IES | 3,669 | 87.4 | 23.4 | PDF | IES | 3,721 | 88.6 | 23.5 | PDF | IES | 3,804 | 90.6 | 23.5 | PDF | IES |
| 3000 | 32.9 | 2,747 | 83.5 | 22.4 | PDF | IES | 2,825 | 85.9 | 22.5 | PDF | IES | 2,925 | 88.9 | 22.6 | PDF | IES | 2,971 | 90.3 | 22.7 | PDF | IES | 3,039 | 92.4 | 22.8 | PDF | IES |
| 2200 | 22.2 | 1,854 | 83.5 | 21.0 | PDF | IES | 1,908 | 85.9 | 21.1 | PDF | IES | 1,969 | 88.7 | 21.3 | PDF | IES | 2,003 | 90.2 | 21.3 | PDF | IES | 2,047 | 92.2 | 21.4 | PDF | IES |
| 1500 | 14.7 | 1,247 | 84.8 | 19.7 | PDF | IES | 1,286 | 87.5 | 19.8 | PDF | IES | 1,323 | 90.0 | 19.9 | PDF | IES | 1,348 | 91.7 | 19.9 | PDF | IES | 1,375 | 93.5 | 20.0 | PDF | IES |

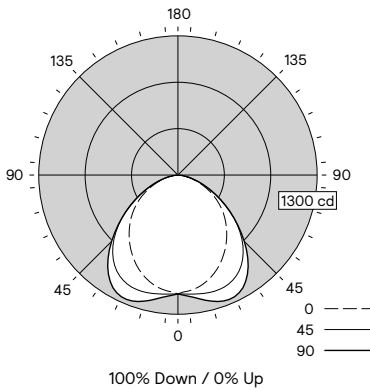
Direct (2901) Definition Symmetric Flush Silk Lens - LN

Click "PDF" or "IES" text to download

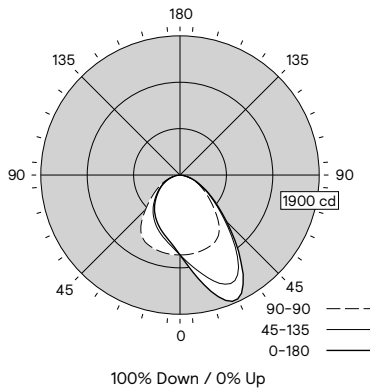
| Nominal CRI & CCT | | CRI 90, 2700K | | | | | CRI 90, 3000K | | | | | CRI 90, 3500K | | | | | CRI 90, 4000K | | | | | CRI 90, 5000K | | | | |
|--------------------------------|-------|----------------------------|-----------------------------|------------------|-------------------|----------|----------------------------|-----------------------------|------------------|-------------------|----------|----------------------------|-----------------------------|------------------|-------------------|----------|----------------------------|-----------------------------|------------------|-------------------|----------|----------------------------|-----------------------------|------------------|-------------------|----------|
| Nominal Lumen Package (lm/4ft) | Watts | Flux (lm/4ft) ¹ | Efficacy (LPW) ¹ | UGR ² | Photometry Report | IES File | Flux (lm/4ft) ¹ | Efficacy (LPW) ¹ | UGR ² | Photometry Report | IES File | Flux (lm/4ft) ¹ | Efficacy (LPW) ¹ | UGR ² | Photometry Report | IES File | Flux (lm/4ft) ¹ | Efficacy (LPW) ¹ | UGR ² | Photometry Report | IES File | Flux (lm/4ft) ¹ | Efficacy (LPW) ¹ | UGR ² | Photometry Report | IES File |
| 4000 | 42.0 | 3,919 | 93.3 | 25.3 | PDF | IES | 4,031 | 96.0 | 25.4 | PDF | IES | 4,187 | 99.7 | 25.6 | PDF | IES | 4,247 | 101.1 | 25.6 | PDF | IES | 4,342 | 103.4 | 25.7 | PDF | IES |
| 3000 | 32.9 | 3,136 | 95.3 | 24.6 | PDF | IES | 3,224 | 98.0 | 24.7 | PDF | IES | 3,339 | 101.5 | 24.8 | PDF | IES | 3,391 | 103.1 | 24.8 | PDF | IES | 3,469 | 105.4 | 24.9 | PDF | IES |
| 2200 | 22.2 | 2,116 | 95.3 | 23.2 | PDF | IES | 2,178 | 98.1 | 23.3 | PDF | IES | 2,247 | 101.2 | 23.4 | PDF | IES | 2,286 | 103.0 | 23.5 | PDF | IES | 2,336 | 105.2 | 23.5 | PDF | IES |
| 1500 | 14.7 | 1,423 | 96.8 | 21.8 | PDF | IES | 1,468 | 99.9 | 21.9 | PDF | IES | 1,510 | 102.7 | 22.0 | PDF | IES | 1,539 | 104.7 | 22.1 | PDF | IES | 1,569 | 106.7 | 22.2 | PDF | IES |

- 4ft Luminaire photometry has been conducted in accordance with IES LM-79-08. IES files can be downloaded by clicking the links in the table above, or online at ledalite.com. Luminaires with finishes other than standard white may result in a drop in flux and efficacy.
- Unified Glare Ratio (UGR) is calculated in accordance with CIE 117-1995. Reference conditions of 4Hx8Hx1H and reflectances of 70/50/20% have been applied using the procedure described in CIE 190-2010.

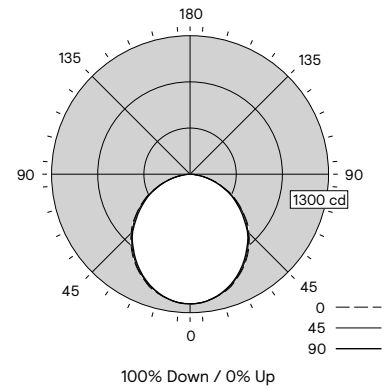
Performance Symmetric Batwing Flush MesoOptic Lens - QN Spacing Criteria: 1.16/1.51



Performance Asymmetric Flush MesoOptic Lens - WN Spacing Criteria: 1.66/1.34



Definition Symmetric Flush Silk Lens - LN Spacing Criteria: 1.23/1.21



Candela plots shown are for 3000lm/4ft, CRI 90, 3500K configurations.

TruGroove suspended

Photometry

Indirect (2903) Performance Symmetric Lens - NQ

Click "PDF" or "IES" text to download

| Nominal CRI & CCT | | CRI 90, 2700K | | | | | CRI 90, 3000K | | | | | CRI 90, 3500K | | | | | CRI 90, 4000K | | | | | CRI 90, 5000K | | | | |
|--------------------------------|-------|----------------------------|-----------------------------|------------------|-------------------|----------|----------------------------|-----------------------------|------------------|-------------------|----------|----------------------------|-----------------------------|------------------|-------------------|----------|----------------------------|-----------------------------|------------------|-------------------|----------|----------------------------|-----------------------------|------------------|-------------------|----------|
| Nominal Lumen Package (lm/4ft) | Watts | Flux (lm/4ft) ¹ | Efficacy (LPW) ¹ | UGR ² | Photometry Report | IES File | Flux (lm/4ft) ¹ | Efficacy (LPW) ¹ | UGR ² | Photometry Report | IES File | Flux (lm/4ft) ¹ | Efficacy (LPW) ¹ | UGR ² | Photometry Report | IES File | Flux (lm/4ft) ¹ | Efficacy (LPW) ¹ | UGR ² | Photometry Report | IES File | Flux (lm/4ft) ¹ | Efficacy (LPW) ¹ | UGR ² | Photometry Report | IES File |
| 4800 | 35.9 | 4,499 | 125.3 | N/A | PDF | IES | 4,626 | 128.9 | N/A | PDF | IES | 4,795 | 133.6 | N/A | PDF | IES | 4,868 | 135.6 | N/A | PDF | IES | 4,979 | 138.7 | N/A | PDF | IES |
| 3200 | 23.6 | 3,002 | 127.2 | N/A | PDF | IES | 3,089 | 130.9 | N/A | PDF | IES | 3,189 | 135.1 | N/A | PDF | IES | 3,243 | 137.4 | N/A | PDF | IES | 3,315 | 140.5 | N/A | PDF | IES |

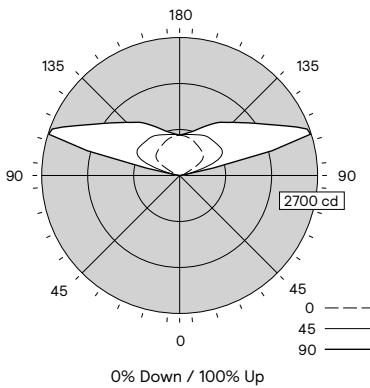
Indirect (2903) Performance Asymmetric Lens - NW

Click "PDF" or "IES" text to download

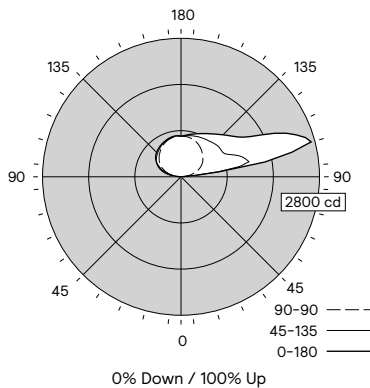
| Nominal CRI & CCT | | CRI 90, 2700K | | | | | CRI 90, 3000K | | | | | CRI 90, 3500K | | | | | CRI 90, 4000K | | | | | CRI 90, 5000K | | | | |
|--------------------------------|-------|----------------------------|-----------------------------|------------------|-------------------|----------|----------------------------|-----------------------------|------------------|-------------------|----------|----------------------------|-----------------------------|------------------|-------------------|----------|----------------------------|-----------------------------|------------------|-------------------|----------|----------------------------|-----------------------------|------------------|-------------------|----------|
| Nominal Lumen Package (lm/4ft) | Watts | Flux (lm/4ft) ¹ | Efficacy (LPW) ¹ | UGR ² | Photometry Report | IES File | Flux (lm/4ft) ¹ | Efficacy (LPW) ¹ | UGR ² | Photometry Report | IES File | Flux (lm/4ft) ¹ | Efficacy (LPW) ¹ | UGR ² | Photometry Report | IES File | Flux (lm/4ft) ¹ | Efficacy (LPW) ¹ | UGR ² | Photometry Report | IES File | Flux (lm/4ft) ¹ | Efficacy (LPW) ¹ | UGR ² | Photometry Report | IES File |
| 4800 | 35.9 | 4,212 | 117.3 | N/A | PDF | IES | 4,330 | 120.6 | N/A | PDF | IES | 4,488 | 125.0 | N/A | PDF | IES | 4,557 | 126.9 | N/A | PDF | IES | 4,661 | 129.8 | N/A | PDF | IES |
| 3200 | 23.6 | 2,810 | 119.1 | N/A | PDF | IES | 2,891 | 122.5 | N/A | PDF | IES | 2,985 | 126.5 | N/A | PDF | IES | 3,036 | 128.6 | N/A | PDF | IES | 3,103 | 131.5 | N/A | PDF | IES |

1. 4ft Luminaire photometry has been conducted in accordance with IES LM-79-08. IES files can be downloaded by clicking the links in the table above, or online at ledalite.com. Luminaires with finishes other than standard white may result in a drop in flux and efficacy.
2. Unified Glare Ratio (UGR) is calculated in accordance with CIE 117-1995. Reference conditions of 4Hx8Hx1H and reflectances of 70/50/20% have been applied using the procedure described in CIE 190-2010.

Performance Symmetric Lens - NQ



Performance Asymmetric Lens - NW



Candela plots shown are for 4800lm/4ft, CRI 90, 3500K configurations.

TruGroove suspended

Photometry

Indirect/Direct (2905) Performance Symmetric MesoOptics Lens - QQ

Click "PDF" or "IES" text to download

| Nominal CRI & CCT | | | CRI 90, 2700K | | | | | CRI 90, 3000K | | | | | CRI 90, 3500K | | | | | CRI 90, 4000K | | | | | CRI 90, 5000K | | | | |
|--------------------------------|--------|----------------------------|-----------------------------|------------------|-------------------|----------|----------------------------|-----------------------------|------------------|-------------------|----------|----------------------------|-----------------------------|------------------|-------------------|----------|----------------------------|-----------------------------|------------------|-------------------|----------|----------------------------|-----------------------------|------------------|-------------------|----------|------|
| Nominal Lumen Package (lm/4ft) | Watts | Flux (lm/4ft) ¹ | Efficacy (LPW) ² | UGR ² | Photometry Report | IES File | Flux (lm/4ft) ¹ | Efficacy (LPW) ² | UGR ² | Photometry Report | IES File | Flux (lm/4ft) ¹ | Efficacy (LPW) ² | UGR ² | Photometry Report | IES File | Flux (lm/4ft) ¹ | Efficacy (LPW) ² | UGR ² | Photometry Report | IES File | Flux (lm/4ft) ¹ | Efficacy (LPW) ² | UGR ² | Photometry Report | IES File | |
| | | | | | | | | | | | | | | | | | | | | | | | | | | | 6800 |
| 5200 | 60% Up | 42.0 | 4.840 | 115.2 | 16.9 | PDF | IES | 4.981 | 118.6 | 17.0 | PDF | IES | 5.139 | 122.4 | 17.1 | PDF | IES | 5.228 | 124.5 | 17.2 | PDF | IES | 5.343 | 127.2 | 17.2 | PDF | IES |
| 4600 | 70% Up | 38.2 | 4.363 | 114.2 | 14.2 | PDF | IES | 4.492 | 117.6 | 14.3 | PDF | IES | 4.633 | 121.3 | 14.4 | PDF | IES | 4.714 | 123.4 | 14.5 | PDF | IES | 4.816 | 126.1 | 14.6 | PDF | IES |
| 3500 | 60% Up | 28.2 | 3.255 | 115.4 | 15.5 | PDF | IES | 3.357 | 119.0 | 15.6 | PDF | IES | 3.454 | 122.5 | 15.7 | PDF | IES | 3.520 | 124.8 | 15.8 | PDF | IES | 3.588 | 127.2 | 15.8 | PDF | IES |

Indirect/Direct (2905) Performance Asymmetric MesoOptics Lens - WW

Click "PDF" or "IES" text to download

| Nominal CRI & CCT | | | CRI 90, 2700K | | | | | CRI 90, 3000K | | | | | CRI 90, 3500K | | | | | CRI 90, 4000K | | | | | CRI 90, 5000K | | | | |
|--------------------------------|--------|----------------------------|-----------------------------|------------------|-------------------|----------|----------------------------|-----------------------------|------------------|-------------------|----------|----------------------------|-----------------------------|------------------|-------------------|----------|----------------------------|-----------------------------|------------------|-------------------|----------|----------------------------|-----------------------------|------------------|-------------------|----------|------|
| Nominal Lumen Package (lm/4ft) | Watts | Flux (lm/4ft) ¹ | Efficacy (LPW) ² | UGR ² | Photometry Report | IES File | Flux (lm/4ft) ¹ | Efficacy (LPW) ² | UGR ² | Photometry Report | IES File | Flux (lm/4ft) ¹ | Efficacy (LPW) ² | UGR ² | Photometry Report | IES File | Flux (lm/4ft) ¹ | Efficacy (LPW) ² | UGR ² | Photometry Report | IES File | Flux (lm/4ft) ¹ | Efficacy (LPW) ² | UGR ² | Photometry Report | IES File | |
| | | | | | | | | | | | | | | | | | | | | | | | | | | | 6800 |
| 5200 | 60% Up | 42.0 | 4.491 | 106.9 | 16.0 | PDF | IES | 4.621 | 110.0 | 16.1 | PDF | IES | 4.768 | 113.5 | 16.2 | PDF | IES | 4.851 | 115.5 | 16.3 | PDF | IES | 4.958 | 118.0 | 16.4 | PDF | IES |
| 4600 | 70% Up | 38.2 | 4.057 | 106.2 | 13.4 | PDF | IES | 4.177 | 109.3 | 13.5 | PDF | IES | 4.308 | 112.8 | 13.6 | PDF | IES | 4.384 | 114.8 | 13.6 | PDF | IES | 4.478 | 117.2 | 13.7 | PDF | IES |
| 3500 | 60% Up | 28.2 | 3.020 | 107.1 | 14.6 | PDF | IES | 3.114 | 110.4 | 14.8 | PDF | IES | 3.205 | 113.7 | 14.9 | PDF | IES | 3.266 | 115.8 | 14.9 | PDF | IES | 3.329 | 118.0 | 15.0 | PDF | IES |

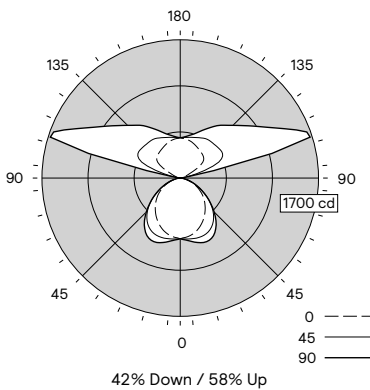
Indirect/Direct (2905) Definition Symmetric Flush Silk Lens - LQ

Click "PDF" or "IES" text to download

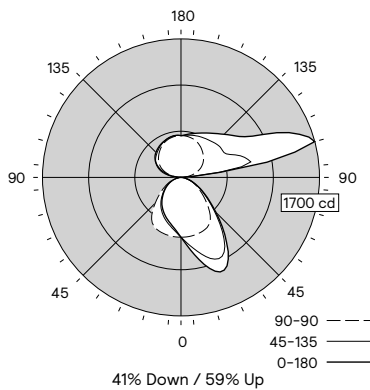
| Nominal CRI & CCT | | | CRI 90, 2700K | | | | | CRI 90, 3000K | | | | | CRI 90, 3500K | | | | | CRI 90, 4000K | | | | | CRI 90, 5000K | | | | |
|--------------------------------|--------|----------------------------|-----------------------------|------------------|-------------------|----------|----------------------------|-----------------------------|------------------|-------------------|----------|----------------------------|-----------------------------|------------------|-------------------|----------|----------------------------|-----------------------------|------------------|-------------------|----------|----------------------------|-----------------------------|------------------|-------------------|----------|------|
| Nominal Lumen Package (lm/4ft) | Watts | Flux (lm/4ft) ¹ | Efficacy (LPW) ² | UGR ² | Photometry Report | IES File | Flux (lm/4ft) ¹ | Efficacy (LPW) ² | UGR ² | Photometry Report | IES File | Flux (lm/4ft) ¹ | Efficacy (LPW) ² | UGR ² | Photometry Report | IES File | Flux (lm/4ft) ¹ | Efficacy (LPW) ² | UGR ² | Photometry Report | IES File | Flux (lm/4ft) ¹ | Efficacy (LPW) ² | UGR ² | Photometry Report | IES File | |
| | | | | | | | | | | | | | | | | | | | | | | | | | | | 6800 |
| 5200 | 60% Up | 42.0 | 4.933 | 117.5 | 18.4 | PDF | IES | 5.077 | 120.9 | 18.4 | PDF | IES | 5.238 | 124.7 | 18.6 | PDF | IES | 5.329 | 126.9 | 18.7 | PDF | IES | 5.446 | 129.7 | 18.7 | PDF | IES |
| 4600 | 70% Up | 38.2 | 4.426 | 115.9 | 15.8 | PDF | IES | 4.557 | 119.3 | 15.9 | PDF | IES | 4.699 | 123.0 | 16.0 | PDF | IES | 4.782 | 125.2 | 16.0 | PDF | IES | 4.885 | 127.9 | 16.1 | PDF | IES |
| 3500 | 60% Up | 28.2 | 3.318 | 117.7 | 17.1 | PDF | IES | 3.421 | 121.3 | 17.1 | PDF | IES | 3.521 | 124.9 | 17.3 | PDF | IES | 3.587 | 127.2 | 17.2 | PDF | IES | 3.657 | 129.7 | 17.4 | PDF | IES |

1. 4ft Luminaire photometry has been conducted in accordance with IES LM-79-08. IES files can be downloaded by clicking the links in the table above, or online at ledalite.com. Luminaires with finishes other than standard white may result in a drop in flux and efficacy.
2. Unified Glare Ratio (UGR) is calculated in accordance with CIE 117-1995. Reference conditions of 4Hx8Hx1H and reflectances of 70/50/20% have been applied using the procedure described in CIE 190-2010.

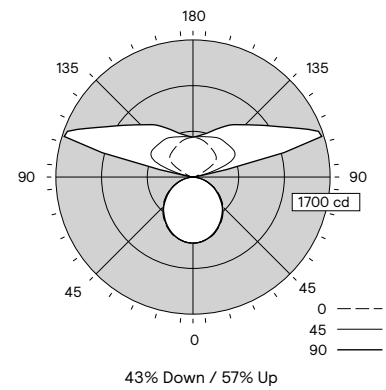
Performance Symmetric MesoOptic Lens - QQ
Spacing Criteria: 1.16/1.51



Performance Asymmetric MesoOptic Lens - WW
Spacing Criteria: 1.66/1.34



Definition Symmetric Flush Silk Lens - LQ
Spacing Criteria: 1.23/1.72



Candela plots shown are for 5200lm/4ft, CRI 90, 3500K configurations.

TruGroove suspended

Photometry

Direct/Indirect (2906) Performance Symmetric MesoOptic Lens - QQ

Click "PDF" or "IES" text to download

| Nominal CRI & CCT | | | CRI 90, 2700K | | | | | CRI 90, 3000K | | | | | CRI 90, 3500K | | | | | CRI 90, 4000K | | | | | CRI 90, 5000K | | | | |
|--------------------------------|-------|----------------------------|-----------------------------|------------------|-------------------|----------|----------------------------|-----------------------------|------------------|-------------------|----------|----------------------------|-----------------------------|------------------|-------------------|----------|----------------------------|-----------------------------|------------------|-------------------|----------|----------------------------|-----------------------------|------------------|-------------------|----------|---------------|
| Nominal Lumen Package (lm/4ft) | Watts | Flux (lm/4ft) ¹ | Efficacy (LPW) ² | UGR ² | Photometry Report | IES File | Flux (lm/4ft) ¹ | Efficacy (LPW) ² | UGR ² | Photometry Report | IES File | Flux (lm/4ft) ¹ | Efficacy (LPW) ² | UGR ² | Photometry Report | IES File | Flux (lm/4ft) ¹ | Efficacy (LPW) ² | UGR ² | Photometry Report | IES File | Flux (lm/4ft) ¹ | Efficacy (LPW) ² | UGR ² | Photometry Report | IES File | |
| | | | | | | | | | | | | | | | | | | | | | | | | | | | 6800 60% Down |
| 5200 60% Down | 47.5 | 4,892 | 103.0 | 20.0 | PDF | IES | 5,036 | 106.0 | 20.1 | PDF | IES | 5,202 | 109.5 | 20.2 | PDF | IES | 5,290 | 111.4 | 20.3 | PDF | IES | 5,405 | 113.8 | 20.4 | PDF | IES | |
| 4600 70% Down | 43.6 | 4,313 | 98.9 | 20.7 | PDF | IES | 4,440 | 101.8 | 20.8 | PDF | IES | 4,586 | 105.2 | 21.0 | PDF | IES | 4,665 | 107.0 | 21.0 | PDF | IES | 4,764 | 109.3 | 21.1 | PDF | IES | |
| 3500 60% Down | 33.0 | 3,338 | 101.2 | 18.7 | PDF | IES | 3,440 | 104.2 | 18.7 | PDF | IES | 3,543 | 107.4 | 18.9 | PDF | IES | 3,609 | 109.4 | 18.9 | PDF | IES | 3,682 | 111.6 | 19.0 | PDF | IES | |

Direct/Indirect (2906) Performance Asymmetric MesoOptics Lens - WW

Click "PDF" or "IES" text to download

| Nominal CRI & CCT | | | CRI 90, 2700K | | | | | CRI 90, 3000K | | | | | CRI 90, 3500K | | | | | CRI 90, 4000K | | | | | CRI 90, 5000K | | | | |
|--------------------------------|-------|----------------------------|-----------------------------|------------------|-------------------|----------|----------------------------|-----------------------------|------------------|-------------------|----------|----------------------------|-----------------------------|------------------|-------------------|----------|----------------------------|-----------------------------|------------------|-------------------|----------|----------------------------|-----------------------------|------------------|-------------------|----------|---------------|
| Nominal Lumen Package (lm/4ft) | Watts | Flux (lm/4ft) ¹ | Efficacy (LPW) ² | UGR ² | Photometry Report | IES File | Flux (lm/4ft) ¹ | Efficacy (LPW) ² | UGR ² | Photometry Report | IES File | Flux (lm/4ft) ¹ | Efficacy (LPW) ² | UGR ² | Photometry Report | IES File | Flux (lm/4ft) ¹ | Efficacy (LPW) ² | UGR ² | Photometry Report | IES File | Flux (lm/4ft) ¹ | Efficacy (LPW) ² | UGR ² | Photometry Report | IES File | |
| | | | | | | | | | | | | | | | | | | | | | | | | | | | 6800 60% Down |
| 5200 60% Down | 47.5 | 4,520 | 95.2 | 19.3 | PDF | IES | 4,653 | 98.0 | 19.4 | PDF | IES | 4,807 | 101.2 | 19.6 | PDF | IES | 4,888 | 102.9 | 19.6 | PDF | IES | 4,994 | 105.1 | 19.7 | PDF | IES | |
| 4600 70% Down | 43.6 | 3,978 | 91.2 | 20.0 | PDF | IES | 4,096 | 93.9 | 20.1 | PDF | IES | 4,230 | 97.0 | 20.2 | PDF | IES | 4,303 | 98.7 | 20.3 | PDF | IES | 4,394 | 100.8 | 20.3 | PDF | IES | |
| 3500 60% Down | 33.0 | 3,085 | 93.5 | 17.9 | PDF | IES | 3,179 | 96.3 | 17.9 | PDF | IES | 3,274 | 99.2 | 18.1 | PDF | IES | 3,335 | 101.1 | 18.1 | PDF | IES | 3,402 | 103.1 | 18.3 | PDF | IES | |

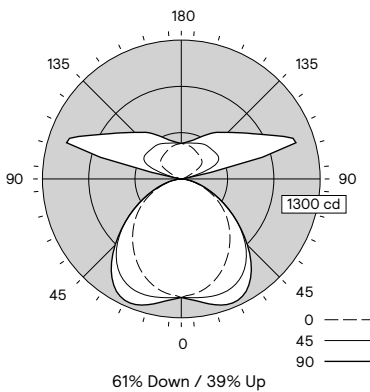
Direct/Indirect (2906) Definition Symmetric Flush Silk Lens - LQ

Click "PDF" or "IES" text to download

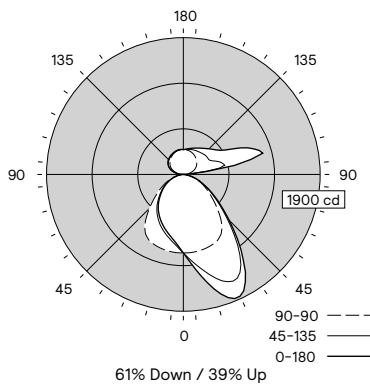
| Nominal CRI & CCT | | | CRI 90, 2700K | | | | | CRI 90, 3000K | | | | | CRI 90, 3500K | | | | | CRI 90, 4000K | | | | | CRI 90, 5000K | | | | |
|--------------------------------|-------|----------------------------|-----------------------------|------------------|-------------------|----------|----------------------------|-----------------------------|------------------|-------------------|----------|----------------------------|-----------------------------|------------------|-------------------|----------|----------------------------|-----------------------------|------------------|-------------------|----------|----------------------------|-----------------------------|------------------|-------------------|----------|---------------|
| Nominal Lumen Package (lm/4ft) | Watts | Flux (lm/4ft) ¹ | Efficacy (LPW) ² | UGR ² | Photometry Report | IES File | Flux (lm/4ft) ¹ | Efficacy (LPW) ² | UGR ² | Photometry Report | IES File | Flux (lm/4ft) ¹ | Efficacy (LPW) ² | UGR ² | Photometry Report | IES File | Flux (lm/4ft) ¹ | Efficacy (LPW) ² | UGR ² | Photometry Report | IES File | Flux (lm/4ft) ¹ | Efficacy (LPW) ² | UGR ² | Photometry Report | IES File | |
| | | | | | | | | | | | | | | | | | | | | | | | | | | | 6800 60% Down |
| 5200 60% Down | 47.5 | 5,030 | 105.9 | 21.6 | PDF | IES | 5,177 | 109.0 | 21.6 | PDF | IES | 5,349 | 112.6 | 21.8 | PDF | IES | 5,439 | 114.5 | 21.9 | PDF | IES | 5,557 | 117.0 | 22.0 | PDF | IES | |
| 4600 70% Down | 43.6 | 4,451 | 102.1 | 22.3 | PDF | IES | 4,582 | 105.1 | 22.3 | PDF | IES | 4,733 | 108.6 | 22.5 | PDF | IES | 4,814 | 110.4 | 22.5 | PDF | IES | 4,917 | 112.8 | 22.6 | PDF | IES | |
| 3500 60% Down | 33.0 | 3,431 | 104.0 | 20.2 | PDF | IES | 3,536 | 107.2 | 20.3 | PDF | IES | 3,642 | 110.4 | 20.4 | PDF | IES | 3,710 | 112.4 | 20.5 | PDF | IES | 3,784 | 114.7 | 20.5 | PDF | IES | |

1. 4ft Luminaire photometry has been conducted in accordance with IES LM-79-08. IES files can be downloaded by clicking the links in the table above, or online at ledalite.com. Luminaires with finishes other than standard white may result in a drop in flux and efficacy.
2. Unified Glare Ratio (UGR) is calculated in accordance with CIE 117-1995. Reference conditions of 4Hx8Hx1H and reflectances of 70/50/20% have been applied using the procedure described in CIE 190-2010.

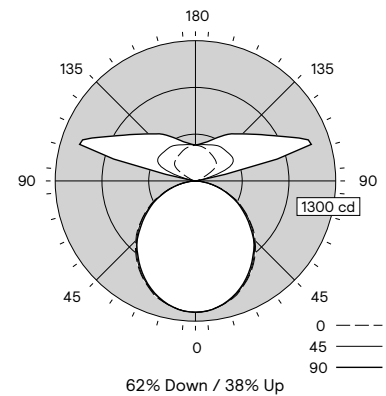
Performance Symmetric MesoOptic Lens - QQ
Spacing Criteria: 1.16/1.51



Performance Asymmetric MesoOptic Lens - WW
Spacing Criteria: 1.66/1.34



Definition Symmetric Flush Silk Lens - LQ
Spacing Criteria: 1.23/1.21



Candela plots shown are for 5200lm/4ft, CRI 90, 3500K configurations.

TruGroove suspended

Footnotes from page 1 ordering guide

1. Nominal values within a range. Not all lumen packages are available with all configurations. Consult photometry data for CRI, color temp, lumens & distribution of chosen configuration.
 2. Not all wiring types are available with all configurations. Consult Ledalite for a complete list of available options.
 3. 347V not available with Battery Pack, GTD, DALI, Lutron EcoSystem or Sensor Ready drivers or Interact Pro options. Battery packs available in modules > 4ft (lumen package limits may apply, check with Ledalite).
 4. Interact Pro & Interact Office Wired (PoE) options require separate controls hardware by Signify.
 5. Tunable White is available in Interact Office Wired PoE luminaires. Please enquire about options for Tunable White with DALI (DT6 or DT8), 0-10V, Lutron T Series or DMX control (extended lead times may apply).
 6. Auxiliary Wiring not available with Interact Pro or Interact Office Wired (PoE) luminaires. Aux sections are wired to one fixture end only.
 7. Available in continuous run lengths in increments of 1ft. Please enquire about options for smaller increments.
 8. Flat corners are 90°. No asymmetric lens optics in corners. Please enquire about options for custom angles and intersections (extended lead times may apply).
 9. Sensors are only available in white, but can be combined with any luminaire finish.
 10. Luminaires are pre-wired to both ends with quick wire connectors at one end for standard circuit & battery pack trigger wire (if applicable). Each circuit has its own neutral conductor. All circuits are clearly labelled at each end.
 11. Thru Wire options can provide either one additional set of (4) power and dimming wires (Black/White/Purple/Grey or Pink) or one additional battery pack trigger wire (Orange) through a selected module, please consult factory for other Thru Wire options.
 12. This option is available on request. Other options not shown here may also be possible via a custom request. Extended lead times and minimum order quantities may apply, please consult factory.
 13. UL924 listed sensor bypass relay is factory installed between driver & sensor. Must be ordered in same module as integral sensing option. Must be installed in conjunction with a UL1008 device.
 14. Must order IRT9015 Interact commissioning remote with each system order.
 15. For PoE, the CAT5/CAT6 cable to be provided by others. Specifier should coordinate the desired cable color with the contractor.
- Note:** Due to continuing product improvements, Ledalite reserves the right to change the specifications without notice.

