



# Linear

## Jump Wall/Cantilever

4200 lm/4ft, Asymmetric Solid  
3000/3500/4000K



Project: \_\_\_\_\_  
 Spec Type: \_\_\_\_\_  
 Catalog No: 1228LxCQE \_\_\_\_\_  
 Qty \_\_\_\_\_  
 Line Notes: \_\_\_\_\_

Jump's contemporary aesthetic combines the latest lighting technologies with texture, pattern, and rhythm along an uninterrupted end to end continuum of luminance.

### Ordering guide

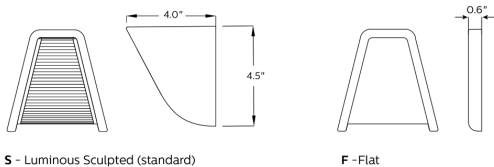
Product Type	Source	Color Temp *	Lumens *	Lower Optics	Upper Optics	Run Length	Wiring †	Voltage	Driver	Finish
<input type="text" value="1228"/>	<input type="text" value="L"/>	<input type="text"/>	<input type="text" value="C"/>	<input type="text" value="Q"/>	<input type="text" value="E"/>	<input type="text"/>	<input type="text"/>	<input type="text"/>	<input type="text"/>	<input type="text"/>
Jump Wall Mount Asymmetric	L LED	A 4000K B 3500K C 3000K	C 4200lm/4ft E 3100lm/4ft G 2000lm/4ft	Q MesoOptics Lens	E Solid Side P PixelPerf S SplashPerf	04 4' 08 8' XX Total run length (4' increments)	7 1 cct Dimming E 2 cct A/B Dimming M 1 cct Dimming + EM Wiring N 1 cct Dimming + EM Batt. Pack	1 120V 2 277V 3 347V	E Philips Advance 0-10V (1% dim)	W Standard White T Titanium Silver B Black C Custom

\* Nominal values within a range. Consult photometry data for color temp, lumens & distribution of chosen configuration.  
 † Not all wiring types are available with all configurations. Consult Philips Ledalite for a complete list of available options.

### Mounting Hardware

**Mount Type**  
 Consult separate mounting spec sheet for mount type options

### Endcaps -



### Integrated Controls Please indicate with check mark.

Response Daylight Single Zone (DS)



# Jump Wall/Cantilever

4200 lm/4ft, Asymmetric Solid

3000/3500/4000K

## Optical System

White light emitted from a linear array of downward-facing LEDs is laterally redirected using either a biconvex lens or optical microstructures embedded in a layer of MesoOptics DX film. An extruded, ribbed acrylic lens and MesoOptics film assembly then generates an optimal batwing distribution and a uniform continuum of light.

## Endcaps

Diecast aluminum, available in luminous sculpted (standard) or flat (optional).

## Finish

High quality powder coated, available in matte white, black or titanium silver. Other custom colors available on request.

## Housing

20 gauge cold-rolled steel, precision formed and welded with optional perforated patterns.

## Weight

Maximum 3.5lb/ft.

## Electrical

Factory pre-wired to section ends with quick-wire connectors.

## Standard Driver

Philips Advance Xitanium 0-10V, 1-100%. Class 2 rated output. Consult Philips Ledalite for other available drivers.

## Standard Battery Pack

Philips Bodine, 90 min, 10W, Class 2 rated output. Emergency lumen output = 10W x luminaire efficacy x 1.1. Typical output: symmetric 1300lm, asymmetric 1100lm.

## Lumen Maintenance

At an ambient temperature of 25°C, the LED lumen maintenance expectation according to IES TM-21-11 is: L<sub>80</sub> (12k) >72,000 hrs (**Reported** methodology) L<sub>70</sub> (12k) 110,000 hrs (**Projected** methodology).

## Source Color

LEDs rated for color rendering CRI >80, R9 >0 and fixture to fixture color accuracy within 2 SDCM.

## Controls

Available with the following integrated controls:  
Response daylight sensor (for single zone).

## Mounting

Variable position mounts can be installed up to 18" from each joint and end (suspended, surface, wall or cantilever). In the suspended mount, high strength aircraft cable and stainless steel gripper provide unlimited vertical adjustment and are independently tested to stringent safety standards.

## Joints

Self-aligning joining system with hands-free pre-joining wire access.

## Approvals

Certified to UL, CSA and IES standards. Certain symmetric versions (12x1L) excluding 3000K, 4900lm/4ft configurations (12x1LCC) are DesignLights Consortium® qualified. Please see the DLC QPL list for exact catalog numbers ([www.designlights.org/QPL](http://www.designlights.org/QPL)).

## Warranty

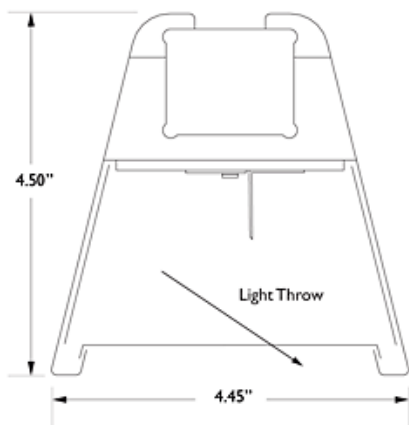
Philips indoor professional luminaires 5 year LED warranty: <http://www.philips.com/warranties>

## Environment

Rated for dry or damp locations in operating ambient temperatures 0–40°C (32–104°F). Certain luminaire components may be adversely affected by contaminants. Damage caused by sulfur, chlorine, petroleum based solutions or other contaminants in the area of operation are not covered under warranty. Not suitable for natatorium environments.

Due to continuing product improvements, Philips Ledalite reserves the right to change the specifications without notice.

## Dimensions - Cross Section

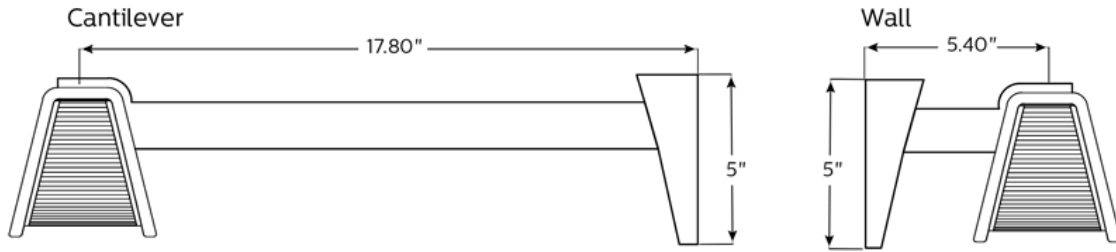


# Jump Wall/Cantilever

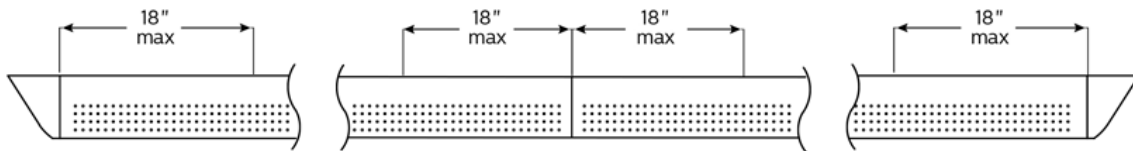
4200 lm/4ft, Asymmetric Solid

3000/3500/4000K

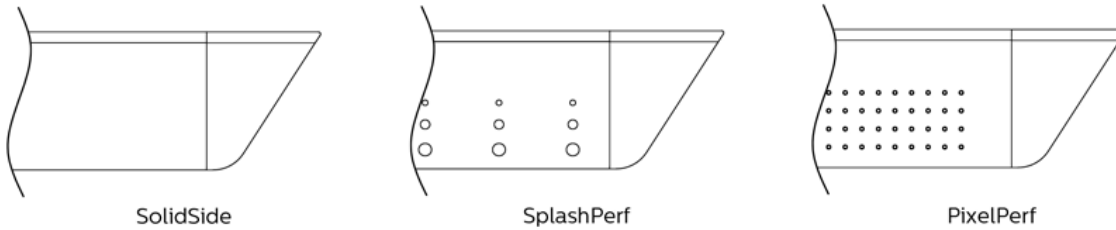
## Dimensions - Modules



## Mounting Run Options



## Optics and Styles

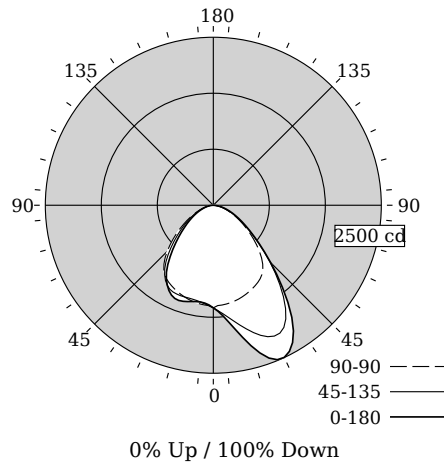


# Jump Wall/Cantilever

4200 lm/4ft, Asymmetric Solid

3000/3500/4000K

## Photometry - 3500K



## Candela Distribution

Vertical Angle	Horizontal Angle				Zonal Lumens
	0	45	90	135	
0	1527	1527	1527	1527	1527
5	1653	1619	1490	1472	1461
15	2163	1906	1447	1428	1484
25	2498	2148	1371	1423	1475
35	2037	1874	1260	1263	1217
45	1207	1190	971	890	790
55	664	650	604	541	477
65	364	344	326	308	272
75	172	155	147	148	131
85	18	27	37	45	33
90	0	0	0	0	0
95	0	0	0	0	0
105	0	0	0	0	0
115	0	0	0	0	0
125	0	0	0	0	0
135	0	0	0	0	0
145	0	0	0	0	0
155	0	0	0	0	0
165	0	0	0	0	0
175	0	0	0	0	0
180	0	0	0	0	0

Values per 4ft unit

Fixture photometry has been conducted in accordance with IESNA LM-79-08

IES files for this and other photometric options can be downloaded online at [www.lightingproducts.philips.com](http://www.lightingproducts.philips.com)

## Coefficients of Utilization (%)

RCR	Ceiling		80		70		50		10		0
	70	50	30	10	70	50	30	10	10	0	
0	119	119	119	119	116	116	116	111	111	111	100
1	110	106	102	99	108	104	100	100	97	94	87
2	101	94	88	83	99	92	87	89	84	80	75
3	93	84	77	71	91	82	76	79	74	69	65
4	86	75	67	61	84	74	66	71	65	60	56
5	80	68	60	53	78	67	59	65	58	53	49
6	74	61	53	47	72	61	53	59	52	47	44
7	69	56	48	42	67	55	47	54	47	42	39
8	64	51	43	38	63	51	43	49	42	37	35
9	60	47	39	34	59	47	39	45	39	34	32
10	56	44	36	31	55	43	36	42	35	31	29

## Avg. Luminance (cd/m2)

Vertical Angle	Horizontal Angle		
	0	90	180
55	9682	8807	6951
65	7196	6456	5379
75	5550	4735	4241
85	1742	3589	3186

## Distribution

Hemisphere	0% Up / 100% Down
Spacing Along (0 °)	1.65
Spacing Across (90 °)	1.3
Spacing at 180 °	1.29

Philips Ledalite

A Program of the U.S. DOE

---

**Light Output (Lumens)**

**4186**

**Watts**

**45.4**

**Lumens per Watt (Efficacy)**

**92.2**

---

**Color Accuracy**

**83**

Color Rendering Index (CRI)

---

**Light Color**

**3434 (Bright White)**

Correlated Color Temperature (CCT)

2700K

3000K

4500K

6500K

---

All results are according to IESNA LM-79-2008: Approved Method for the Electrical and Photometric Testing of Solid-State Lighting. The U.S. Department of Energy (DOE) verifies product test data and results.

Visit [www.lightingfacts.com](http://www.lightingfacts.com) for the Label Reference Guide.

Registration Number: F46Z-5SOWIG (7/21/2017)

Model Number: 12x8LBCQE

Type: Luminaire - Linear

# Jump Wall/Cantilever

4200 lm/4ft, Asymmetric Solid

3000/3500/4000K

## Optical Performance

Nominal CCT:	3000K	3500K	4000K
Flux (lm)	3991	4186	4247
Efficacy (lm/W)	87.5	92.2	92.7
Power (W)	45.6	45.4	45.8
CCT (K)	3076	3434	4055
CRI	84	83	84
R9	11	7	10
x	0.4321	0.4109	0.3792
y	0.4031	0.3974	0.3796
Duv	0.0002	0.0017	0.0018

## Electrical Performance - 3500K

Input Voltage	120V	277V	347V
Input Power	45.4W	44.9W	46.2W
Input Current	0.38A	0.17A	0.14A
Power Factor	0.996	0.972	0.979
Total Harm. Distortion	6.3%	10.0%	8.0%

Tested values . contact technical support for rated values. Off-state power zero unless certain controls are specified.

