

# Are you ready to jump?

## JUMP WALL LED



DIRECT ASYMMETRIC, RIBBED MESOOPTICS LENS - PIXELPERF  
CRI >80 3500K, 3600 lm/4ft

**Project:** \_\_\_\_\_

**Spec Type:** \_\_\_\_\_

**Catalog No:** 1228LBEQP

**Qty** \_\_\_\_\_

**Line Notes:** \_\_\_\_\_



### Ordering guide

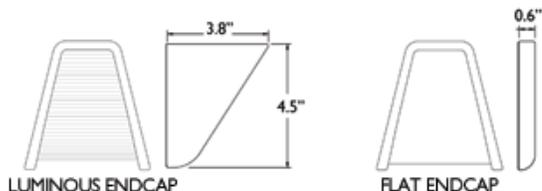
Product Type	Source	Color Temp *	Lumens *	Lower Optics	Upper Optics	Run Length	Wiring †	Voltage	Driver	Finish
<input type="text" value="1228"/>	<input type="text" value="L"/>	<input type="text" value="B"/>	<input type="text" value="E"/>	<input type="text" value="Q"/>	<input type="text" value="P"/>	<input type="text"/>	<input type="text"/>	<input type="text"/>	<input type="text"/>	<input type="text"/>
Jump Asymmetric	L LED	A 4000K B 3500K C 3000K	G 2400 lm/4ft E 3600 lm/4ft	Q MesoOptics Lens	E No Perf P PixelPerf S SplashPerf	04 4' 08 8' XX Total run length (4' increments)	1 1 cct 3 1 cct w/ EM cct 5 1 cct w/ BP 7 1 cct w/ Dimming 8 1 cct w/ TW B 2 cct A/B	1 120V 2 277V 3 347V	E Standard	W Standard White T Titanium Silver B Black X Custom

\* Nominal values within a range. Consult ies file for exact color temp and lumens † Consult website for complete list of standard wiring options

### Mounting Hardware

Mount Type  
Consult separate mounting spec sheet for mount type options

Endcaps -



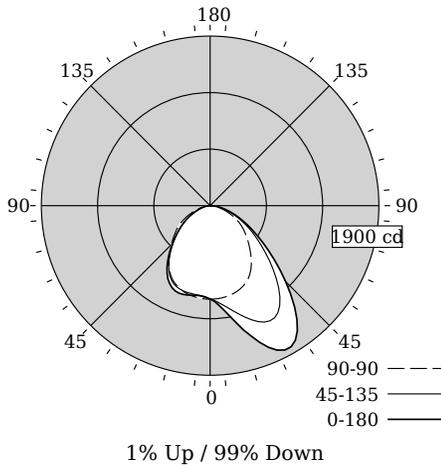
**Integrated Controls** Please indicate with check mark.

No Options Available



## DIRECT ASYMMETRIC, RIBBED MESOOPTICS LENS - PIXELPERF

### Photometry



Total Output	3216 lm
Efficacy	71.3 lm/W
CCT	3494K
CRI	84
R9	22
Distribution	1% Up / 99% Down
Spacing Criteria (0/90/180°)	1.85/1.25/1.30

Values per 4ft unit

Fixture photometry has been conducted by an NVLAP accredited testing laboratory in accordance with IESNA LM-79:2008

Lumen maintenance of the LEDs has been tested by the manufacturer in accordance with IESNA LM-80:2008

IES files for this and other photometric options can be downloaded online at [www.lightingproducts.philips.com](http://www.lightingproducts.philips.com)

### Candela Distribution

Vertical Angle	Horizontal Angle					Zonal Lumens
	0	45	90	135	180	
0	1046	1046	1046	1046	1046	0
5	1119	1090	1045	1021	1016	102
15	1438	1258	1019	1005	1035	321
25	1786	1439	951	967	1014	545
35	1712	1366	809	813	845	661
45	1202	1000	618	586	601	599
55	728	643	456	393	391	461
65	413	381	289	233	222	304
75	199	183	135	105	101	153
85	49	50	31	26	22	42
90	18	12	0	0	0	0
95	17	11	0	0	0	5
105	17	11	0	0	0	5
115	17	11	0	0	0	5
125	15	10	0	0	0	4
135	13	9	1	0	0	3
145	11	8	2	0	0	2
155	8	7	2	0	0	1
165	6	5	2	0	0	1
175	3	4	3	2	1	0
180	3	3	3	3	3	0

### Coefficients of Utilization (%)

RCR	Ceiling:		80		70		50		50	
	70	50	30	10	70	50	30	50	30	10
0	119	119	119	119	116	116	116	111	111	111
1	109	105	101	98	107	103	99	98	95	93
2	100	93	86	81	98	91	85	87	82	78
3	92	82	74	68	89	80	73	77	71	66
4	84	73	65	58	82	72	64	69	62	57
5	78	65	57	50	76	64	56	62	55	50
6	72	59	50	44	70	58	50	56	49	44
7	67	54	45	39	65	53	45	51	44	39
8	62	49	41	35	61	48	40	47	40	35
9	58	45	37	32	57	44	37	43	36	31
10	54	41	34	29	53	41	33	40	33	28

### Avg. Luminance (cd/m2)

Vertical Angle	Horizontal Angle		
	0	90	180
55	6288	6352	3377
65	4011	5323	2156
75	2287	3841	1161
85	716	2076	322

**LED lighting facts**  
A Program of the U.S. DOE

**Light Output (Lumens)** 3216  
**Watts** 45.1  
**Lumens per Watt (Efficacy)** 71

**Color Accuracy** 84  
Color Rendering Index (CRI)

**Light Color** 3494 (Bright White)  
Correlated Color Temperature (CCT)

Warm White | Bright White | Daylight  
2700K | 3000K | 4500K | 6500K

**Warranty\*\*** Yes

All results, except LED Lumen Maintenance, are according to IESNA LM-79-2008: Approved Method for the Electrical and Photometric Testing of Solid-State Lighting. The U.S. Department of Energy (DOE) verifies product test data and results.

\*\* See [www.lightingfacts.com/products](http://www.lightingfacts.com/products) for details.

Registration Number: F462-SL83YR (8/12/2013)  
Model Number: 12x8LBEQx  
Type: Other

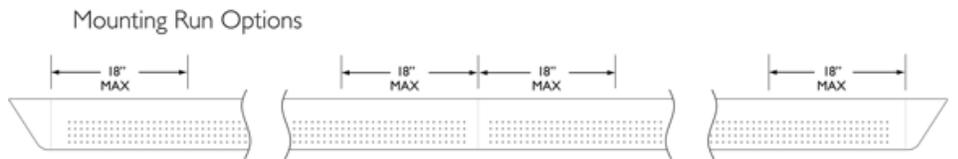
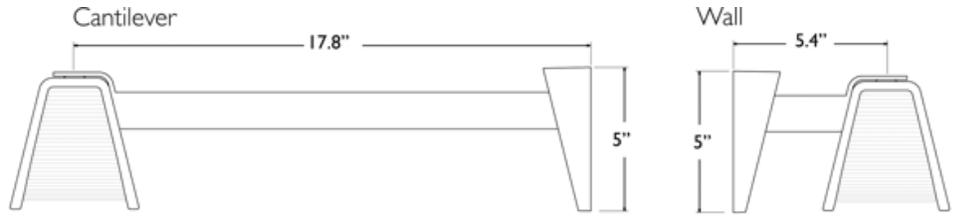
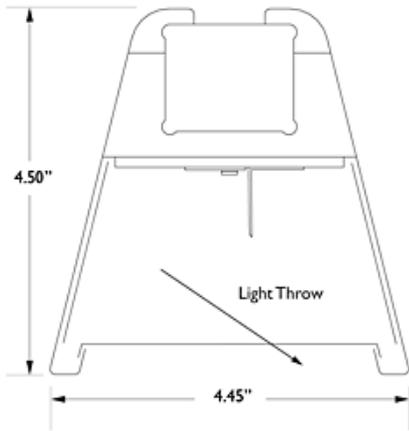
### Electrical Specifications

Input Voltage	120V
Input Power	45.1W
Input Current	0.4A
Power Factor	0.989
Tested values – contact technical support for rated values. Off-state power zero unless certain controls are specified.	

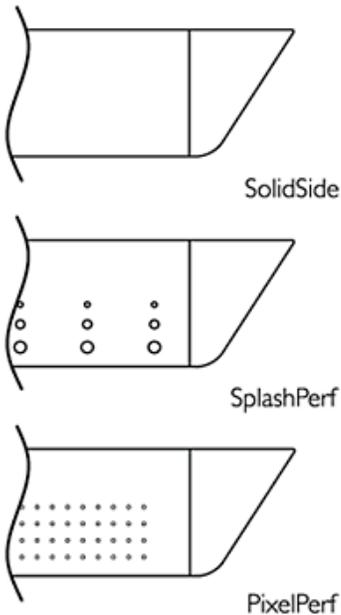
# JUMP WALL LED

DIRECT ASYMMETRIC, RIBBED MESOOPTICS LENS - PIXELPERF

## Options and Details



## Optics & Styles



### Housing

20 gauge cold-rolled steel precision formed and welded with optical perforated patterns.

### Weight

Maximum 3.5lb/ft.

### Optical System

White light emitted from the LED sources passes through a biconvex lens where it is internally reflected and laterally refocused. Light is then redirected by Miro Silver reflectors and exits through the optical lens assembly. The optical lens assembly consists of an acrylic extrusion with a ribbed profile holding a layer of MesoOptics film. MesoOptics homogenizes the light and color to ensure consistency while controlling high angle glare and creating an optical batwing distribution.

### Standard Driver

Dimming: 0-10V, 5-100%. Output is Class 2 rated.

### Lumen Maintenance

At an ambient temperature of 25°C, the LED lumen maintenance expectation is  $L_{80}(12k) > 60,000$  hrs.

### Mounting

Variable position mounts are supplied for each joint and end. The mounts can be installed up to 18" from joints and end locations. Tamper-resistant aircraft cable grippers provide infinite vertical adjustment capability. Aircraft cable, crimp and cable gripper are independently tested to meet stringent safety requirements.

### Joints

Self-aligning joining system with hands-free pre-joining wire access.

### Endcaps

Endcaps are diecast aluminum, available in luminous sculpted (standard) or flat (optional).

### Electrical

Factory pre-wired to section ends with quick-wire connectors.

### Approvals

Certified to UL, CSA and IES standards.

### Finish

High quality powder coated, available in matte white, black or titanium silver. Other factory and custom colors available on request.

### Environment

Rated for dry or damp locations in operating ambient temperatures 0-40°C (32-104°F). Certain luminaire components may be adversely affected by contaminants. Damage caused by sulfur, chlorine, petroleum based solutions or other contaminants are not covered under warranty.

Due to continuing product improvements, Philips Ledalite reserves the right to change the specifications without notice.



©2014 Koninklijke Philips N.V. All rights reserved.  
Specifications are subject to change without notice.  
[www.philips.com/luminaires](http://www.philips.com/luminaires)

1228LBEQP.pdf 02.15 page 3 of 3

Philips Lighting  
North America Corporation  
200 Franklin Square Drive  
Somerset, NJ 08873  
Phone: 855-486-2216

Philips Lighting Company  
281 Hillmount Road  
Markham ON, Canada L6C 2S3  
Phone: 800-668-9008