



Linear

Jump Wall/Cantilever

3100 lm/4ft, Asymmetric Perf
3000/3500/4000K



Project: _____
 Spec Type: _____
 Catalog No: 1228LxEQx _____
 Qty _____
 Line Notes: _____

Jump's contemporary aesthetic combines the latest lighting technologies with texture, pattern, and rhythm along an uninterrupted end to end continuum of luminance.

Ordering guide

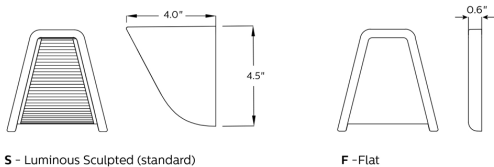
Product Type	Source	Color Temp *	Lumens *	Lower Optics	Upper Optics	Run Length	Wiring †	Voltage	Driver	Finish
<input type="text" value="1228"/>	<input type="text" value="L"/>	<input type="text"/>	<input type="text" value="E"/>	<input type="text" value="Q"/>	<input type="text"/>	<input type="text"/>	<input type="text"/>	<input type="text"/>	<input type="text"/>	<input type="text"/>
Jump Wall Mount Asymmetric	L LED	A 4000K B 3500K C 3000K	C 4200lm/4ft E 3100lm/4ft G 2000lm/4ft	Q MesoOptics Lens	E Solid Side P PixelPerf S SplashPerf	04 4' 08 8' XX Total run length (4' increments)	7 1 cct Dimming E 2 cct A/B Dimming M 1 cct Dimming + EM Wiring N 1 cct Dimming + EM Batt. Pack	1 120V 2 277V 3 347V	E Philips Advance 0-10V (1% dim)	W Standard White T Titanium Silver B Black C Custom

* Nominal values within a range. Consult photometry data for color temp, lumens & distribution of chosen configuration.
 † Not all wiring types are available with all configurations. Consult Philips Ledalite for a complete list of available options.

Mounting Hardware

Mount Type
 Consult separate mounting spec sheet for mount type options

Endcaps -



Integrated Controls Please indicate with check mark.

Response Daylight Single Zone (DS)



Jump Wall/Cantilever

3100 lm/4ft, Asymmetric Perf

3000/3500/4000K

Optical System

White light emitted from a linear array of downward-facing LEDs is laterally redirected using either a biconvex lens or optical microstructures embedded in a layer of MesoOptics DX film. An extruded, ribbed acrylic lens and MesoOptics film assembly then generates an optimal batwing distribution and a uniform continuum of light.

Endcaps

Diecast aluminum, available in luminous sculpted (standard) or flat (optional).

Finish

High quality powder coated, available in matte white, black or titanium silver. Other custom colors available on request.

Housing

20 gauge cold-rolled steel, precision formed and welded with optional perforated patterns.

Weight

Maximum 3.5lb/ft.

Electrical

Factory pre-wired to section ends with quick-wire connectors.

Standard Driver

Philips Advance Xitanium 0-10V, 1-100%. Class 2 rated output. Consult Philips Ledalite for other available drivers.

Standard Battery Pack

Philips Bodine, 90 min, 10W, Class 2 rated output, Emergency lumen output = 10W x luminaire efficacy x 1.1. Typical output: symmetric 1300lm, asymmetric 1100lm.

Lumen Maintenance

At an ambient temperature of 25°C, the LED lumen maintenance expectation according to IES TM-21-11 is:
L₈₀ (12k) >72,000 hrs (**Reported** methodology)
L₇₀ (12k) 110,000 hrs (**Projected** methodology).

Source Color

LEDs rated for color rendering CRI >80, R9 >0 and fixture to fixture color accuracy within 2 SDCM.

Controls

Available with the following integrated controls:
Response daylight sensor (for single zone).

Mounting

Variable position mounts can be installed up to 18" from each joint and end (suspended, surface, wall or cantilever). In the suspended mount, high strength aircraft cable and stainless steel gripper provide unlimited vertical adjustment and are independently tested to stringent safety standards.

Joints

Self-aligning joining system with hands-free pre-joining wire access.

Approvals

Certified to UL, CSA and IES standards. Certain symmetric versions (12x1L) excluding 3000K, 4900lm/4ft configurations (12x1LCC) are DesignLights Consortium® qualified. Please see the DLC QPL list for exact catalog numbers (www.designlights.org/QPL).

Warranty

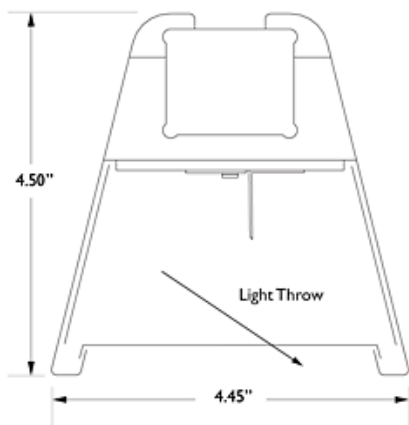
Philips indoor professional luminaires 5 year LED warranty: <http://www.philips.com/warranties>

Environment

Rated for dry or damp locations in operating ambient temperatures 0–40°C (32–104°F). Certain luminaire components may be adversely affected by contaminants. Damage caused by sulfur, chlorine, petroleum based solutions or other contaminants in the area of operation are not covered under warranty. Not suitable for natatorium environments.

Due to continuing product improvements, Philips Ledalite reserves the right to change the specifications without notice.

Dimensions - Cross Section

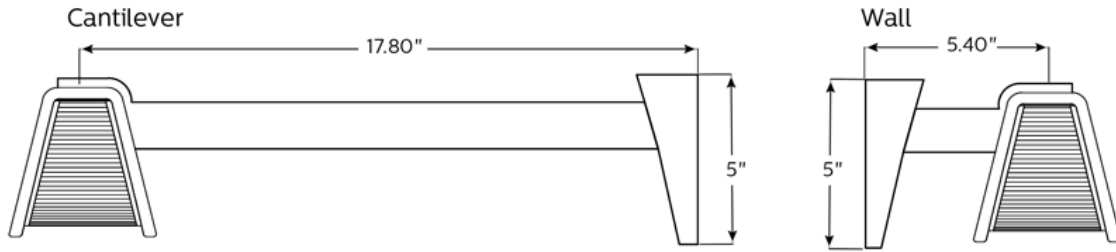


Jump Wall/Cantilever

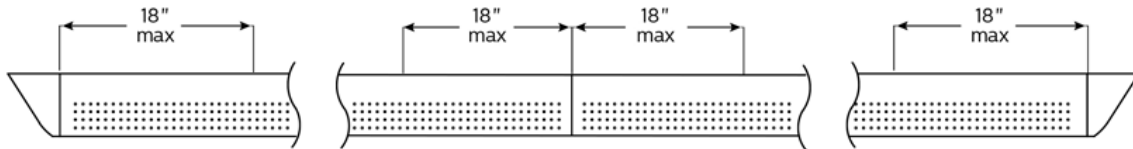
3100 lm/4ft, Asymmetric Perf

3000/3500/4000K

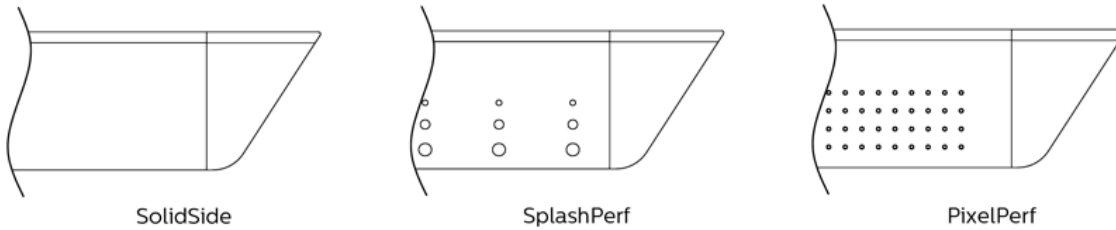
Dimensions - Modules



Mounting Run Options



Optics and Styles

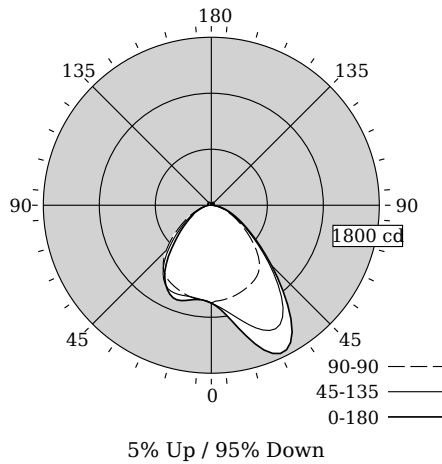


Jump Wall/Cantilever

3100 lm/4ft, Asymmetric Perf

3000/3500/4000K

Photometry - 3500K



Candela Distribution

Vertical Angle	Horizontal Angle				Zonal Lumens
	0	45	90	135	
0	1049	1049	1049	1049	0
5	1120	1100	1026	1021	102
15	1450	1283	999	1007	325
25	1752	1480	953	1018	557
35	1488	1341	880	901	665
45	914	866	683	634	553
55	512	482	426	375	324
65	284	261	237	211	204
75	138	121	105	117	101
85	28	29	24	42	43
90	17	12	4	24	27
95	21	17	4	23	32
105	26	22	4	28	36
115	30	27	5	32	39
125	35	32	6	37	41
135	39	31	7	37	43
145	37	27	8	31	38
155	29	21	9	24	28
165	19	14	10	17	20
175	11	10	10	12	12
180	10	10	10	10	10

Values per 4ft unit

Fixture photometry has been conducted in accordance with IESNA LM-79-08

IES files for this and other photometric options can be downloaded online at www.lightingproducts.philips.com

Coefficients of Utilization (%)

RCR	Ceiling					Wall							
	70	50	30	10	70	50	30	10	70	50	30	10	0
0	118	118	118	118	115	115	115	108	108	108	108	95	0
1	109	105	101	97	106	102	99	97	94	92	92	82	0
2	100	93	87	81	97	90	85	86	82	78	71	71	0
3	92	82	75	69	89	81	74	77	71	66	61	61	0
4	85	74	66	60	82	72	65	69	63	58	53	53	0
5	78	66	58	52	76	65	57	62	56	50	46	46	0
6	73	60	52	46	70	59	51	57	50	45	41	41	0
7	67	55	46	41	65	54	46	52	45	40	37	37	0
8	63	50	42	36	61	49	41	47	41	36	33	33	0
9	59	46	38	33	57	45	38	44	37	32	30	30	0
10	55	42	35	30	54	42	34	40	34	29	27	27	0

Avg. Luminance (cd/m2)

Vertical Angle	Horizontal Angle		
	0	90	180
55	4359	5876	2760
65	2709	4313	1946
75	1560	2943	1142
85	407	1605	617

Distribution

Hemisphere	5% Up / 95% Down
Glare Control	Meets RP-1-12 recommendations for VDT-Normal spaces
Spacing Along (0 °)	1.69
Spacing Across (90 °)	1.31
Spacing at 180 °	1.32

Philips Ledalite

LED lighting facts
A Program of the U.S. DOE

Light Output (Lumens) **3145**

Watts **32.6**

Lumens per Watt (Efficacy) **96.5**

Color Accuracy
Color Rendering Index (CRI) **83**

Light Color
Correlated Color Temperature (CCT) **3434 (Bright White)**

2700K 3000K 4500K 6500K

All results are according to IESNA LM-79-2008: Approved Method for the Electrical and Photometric Testing of Solid-State Lighting. The U.S. Department of Energy (DOE) verifies product test data and results.

Visit www.lightingfacts.com for the Label Reference Guide.

Registration Number: F46Z-FH4HQ6 (7/21/2017)
Model Number: 12x8LBEQS
Type: Luminaire - Linear

Jump Wall/Cantilever

3100 lm/4ft, Asymmetric Perf

3000/3500/4000K

Optical Performance

Nominal CCT:	3000K	3500K	4000K
Flux (lm)	2999	3145	3191
Efficacy (lm/W)	91.4	96.5	96.7
Power (W)	32.8	32.6	33.0
CCT (K)	3076	3434	4055
CRI	84	83	84
R9	11	7	10
x	0.4321	0.4109	0.3792
y	0.4031	0.3974	0.3796
Duv	0.0002	0.0017	0.0018

Electrical Performance - 3500K

Input Voltage	120V	277V	347V
Input Power	32.6W	32.5W	33.5W
Input Current	0.27A	0.12A	0.10A
Power Factor	0.996	0.964	0.964
Total Harm. Distortion	6.7%	10.0%	9.0%

Tested values . contact technical support for rated values. Off-state power zero unless certain controls are specified.

