



Linear

Jump Suspended/Surface

3600 lm/4ft, Perf Housing
3000/3500/4000K



Project: _____
 Spec Type: _____
 Catalog No: 1201LxEQx _____
 Qty _____
 Line Notes: _____

Jump's contemporary aesthetic combines the latest lighting technologies with texture, pattern, and rhythm along an uninterrupted end to end continuum of luminance.

Ordering guide

Product Type	Source	Color Temp *	Lumens *	Lower Optics	Upper Optics	Run Length	Wiring †	Voltage	Driver	Finish
<input type="text" value="1201"/>	<input type="text" value="L"/>	<input type="text"/>	<input type="text" value="E"/>	<input type="text" value="Q"/>	<input type="text"/>	<input type="text"/>	<input type="text"/>	<input type="text"/>	<input type="text"/>	<input type="text"/>
Jump Suspended Symmetric	L LED	A 4000K B 3500K C 3000K	C 4900 lm/4ft E 3600 lm/4ft G 2400 lm/4ft	Q MesoOptics Lens	E Solid Side P PixelPerf S SplashPerf	04 4' 08 8' XX Total run length (4' increments)	7 1 cct Dimming E 2 cct A/B Dimming M 1 cct Dimming + EM Wiring N 1 cct Dimming + EM Batt. Pack	1 120V 2 277V 3 347V	E Philips Advance 0-10V (1% dim)	W Standard White T Titanium Silver B Black C Custom

* Nominal values within a range. Consult photometry data for color temp, lumens & distribution of chosen configuration.
 † Not all wiring types are available with all configurations. Consult Philips Ledalite for a complete list of available options.

Mounting Hardware

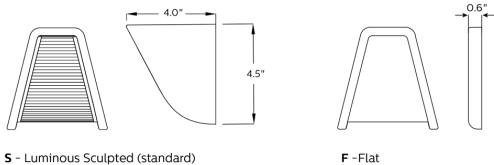
Mount Type
Consult separate mounting spec sheet for mount type options

Suspension Length
Distance from ceiling to top of luminaire in inches

Endcaps -

Integrated Controls Please indicate with check mark.

Response Daylight Single Zone (DS)



Jump Suspended/Surface

3600 lm/4ft, Perf Housing

3000/3500/4000K

Optical System

White light emitted from a linear array of downward-facing LEDs is laterally redirected using either a biconvex lens or optical microstructures embedded in a layer of MesoOptics DX film. An extruded, ribbed acrylic lens and MesoOptics film assembly then generates an optimal batwing distribution and a uniform continuum of light.

Endcaps

Diecast aluminum, available in luminous sculpted (standard) or flat (optional).

Finish

High quality powder coated, available in matte white, black or titanium silver. Other custom colors available on request.

Housing

20 gauge cold-rolled steel, precision formed and welded with optional perforated patterns.

Weight

Maximum 3.5lb/ft.

Electrical

Factory pre-wired to section ends with quick-wire connectors.

Standard Driver

Philips Advance Xitanium 0-10V, 1-100%. Class 2 rated output. Consult Philips Ledalite for other available drivers.

Standard Battery Pack

Philips Bodine, 90 min, 10W, Class 2 rated output. Emergency lumen output = 10W x luminaire efficacy x 1.1. Typical output: symmetric 1300lm, asymmetric 1100lm.

Lumen Maintenance

At an ambient temperature of 25°C, the LED lumen maintenance expectation according to IES TM-21-11 is: L₈₀ (12k) >72,000 hrs (**Reported** methodology) L₇₀ (12k) 110,000 hrs (**Projected** methodology).

Source Color

LEDs rated for color rendering CRI >80, R9 >0 and fixture to fixture color accuracy within 2 SDCM.

Controls

Available with the following integrated controls:
Response daylight sensor (for single zone).

Mounting

Variable position mounts can be installed up to 18" from each joint and end (suspended, surface, wall or cantilever). In the suspended mount, high strength aircraft cable and stainless steel gripper provide unlimited vertical adjustment and are independently tested to stringent safety standards.

Joints

Self-aligning joining system with hands-free pre-joining wire access.

Approvals

Certified to UL, CSA and IES standards. Certain symmetric versions (12x1L) excluding 3000K, 4900lm/4ft configurations (12x1LCC) are DesignLights Consortium® qualified. Please see the DLC QPL list for exact catalog numbers (www.designlights.org/QPL).

Warranty

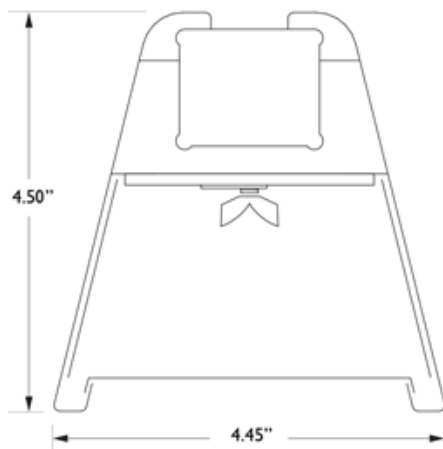
Philips indoor professional luminaires 5 year LED warranty: <http://www.philips.com/warranties>

Environment

Rated for dry or damp locations in operating ambient temperatures 0-40°C (32-104°F). Certain luminaire components may be adversely affected by contaminants. Damage caused by sulfur, chlorine, petroleum based solutions or other contaminants in the area of operation are not covered under warranty. Not suitable for natatorium environments.

Due to continuing product improvements, Philips Ledalite reserves the right to change the specifications without notice.

Dimensions - Cross Section

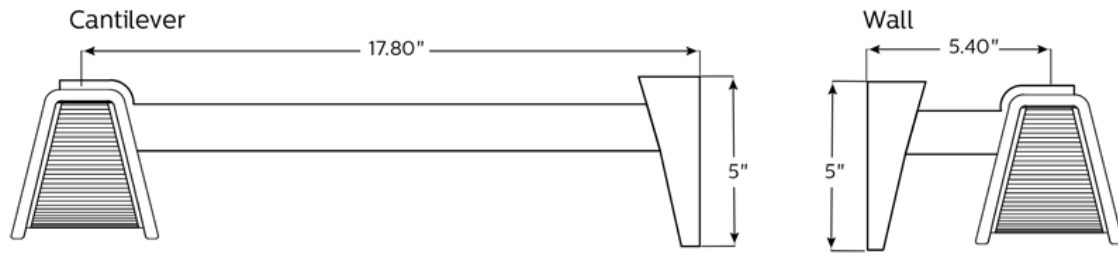


Jump Suspended/Surface

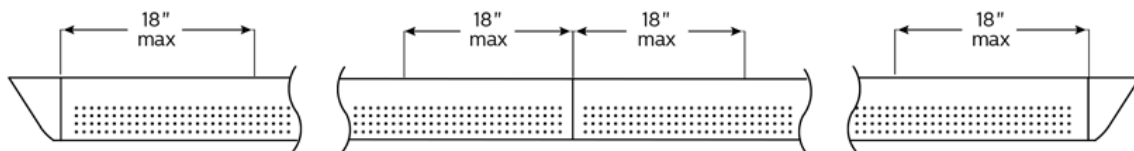
3600 lm/4ft, Perf Housing

3000/3500/4000K

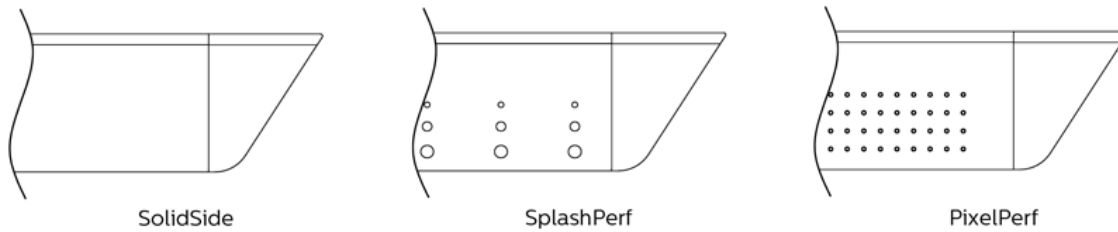
Dimensions - Modules



Mounting Run Options



Optics and Styles

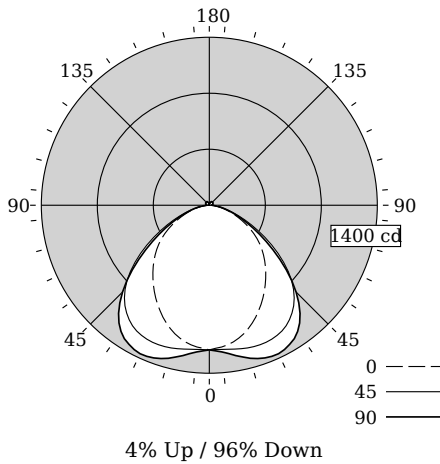


Jump Suspended/Surface

3600 lm/4ft, Perf Housing

3000/3500/4000K

Photometry - 3500K



Candela Distribution

Vertical Angle	Horizontal Angle				Zonal Lumens
	0	22.5	45	67.5	
0	1205	1205	1205	1205	1205
5	1186	1199	1206	1222	1228
15	1109	1151	1231	1299	1321
25	970	1068	1231	1337	1365
35	812	949	1164	1266	1283
45	652	785	993	1037	1022
55	486	574	700	673	648
65	299	342	387	359	346
75	143	159	167	159	157
85	37	41	46	45	47
90	2	9	15	20	22
95	4	13	19	23	24
105	4	20	24	28	29
115	5	25	29	32	33
125	7	23	35	36	37
135	8	20	36	39	39
145	9	18	31	37	37
155	10	15	24	31	31
165	10	12	16	20	20
175	11	11	11	12	12
180	11	11	11	11	11

Values per 4ft unit

Fixture photometry has been conducted in accordance with IESNA LM-79-08

IES files for this and other photometric options can be downloaded online at www.lightingproducts.philips.com

Coefficients of Utilization (%)

RCR	Ceiling										0
	70	50	30	10	70	50	30	10	70	50	
0	118	118	118	118	115	115	115	109	109	109	96
1	109	104	100	96	105	101	98	96	94	91	82
2	99	91	85	80	96	89	83	85	80	76	69
3	91	81	73	67	88	79	72	75	69	64	59
4	83	72	63	57	81	70	62	67	60	55	50
5	77	64	55	49	74	63	55	60	53	48	44
6	71	58	49	43	69	57	48	54	47	42	38
7	66	52	44	38	64	51	43	49	42	37	34
8	61	48	39	34	59	47	39	45	38	33	30
9	57	44	36	30	55	43	35	42	35	30	27
10	53	40	33	27	52	40	32	38	32	27	25

Avg. Luminance (cd/m2)

Vertical Angle	Horizontal Angle		
	0	45	90
55	6705	6603	5517
65	5447	4215	3304
75	4037	2221	1773
85	2456	814	669

Distribution

Hemisphere	4% Up / 96% Down
Spacing Along (0 °)	1.12
Spacing Across (90 °)	1.56

Philips Ledalite

LED lighting facts
A Program of the U.S. DOE

Light Output (Lumens) **3695**

Watts **32.5**

Lumens per Watt (Efficacy) **113.7**

Color Accuracy
Color Rendering Index (CRI) **83**

Light Color
Correlated Color Temperature (CCT) **3434 (Bright White)**

2700K 3000K 4500K 6500K

All results are according to IESNA LM-79-2008: Approved Method for the Electrical and Photometric Testing of Solid-State Lighting. The U.S. Department of Energy (DOE) verifies product test data and results.

Visit www.lightingfacts.com for the Label Reference Guide.

Registration Number: F46Z-IVRG2B (7/21/2017)
Model Number: 12x1LBEQS
Type: Luminaire - Linear

Jump Suspended/Surface

3600 lm/4ft, Perf Housing

3000/3500/4000K

Optical Performance

Nominal CCT:	3000K	3500K	4000K
Flux (lm)	3523	3695	3748
Efficacy (lm/W)	108.1	113.7	114.3
Power (W)	32.6	32.5	32.8
CCT (K)	3076	3434	4055
CRI	84	83	84
R9	11	7	10
x	0.4321	0.4109	0.3792
y	0.4031	0.3974	0.3796
Duv	0.0002	0.0017	0.0018

Electrical Performance - 3500K

Input Voltage	120V	277V	347V
Input Power	32.5W	32.4W	33.5W
Input Current	0.27A	0.12A	0.10A
Power Factor	0.996	0.964	0.964
Total Harm. Distortion	6.7%	10.0%	9.0%

Tested values . contact technical support for rated values. Off-state power zero unless certain controls are specified.

