



# Linear

Jump Suspended/Surface

3100 lm/4ft, Asymmetric Solid  
3000/3500/4000K



Project: \_\_\_\_\_  
 Spec Type: \_\_\_\_\_  
 Catalog No: 1208LxEQE  
 Qty \_\_\_\_\_  
 Line Notes: \_\_\_\_\_

Jump's contemporary aesthetic combines the latest lighting technologies with texture, pattern, and rhythm along an uninterrupted end to end continuum of luminance.

## Ordering guide

Product Type	Source	Color Temp *	Lumens *	Lower Optics	Upper Optics	Run Length	Wiring †	Voltage	Driver	Finish
<input type="text" value="1208"/>	<input type="text" value="L"/>	<input type="text"/>	<input type="text" value="E"/>	<input type="text" value="Q"/>	<input type="text" value="E"/>	<input type="text"/>	<input type="text"/>	<input type="text"/>	<input type="text"/>	<input type="text"/>
Jump Suspended Asymmetric	L LED	A 4000K B 3500K C 3000K	C 4200lm/4ft E 3100lm/4ft G 2000lm/4ft	Q MesoOptics Lens	E Solid Side P PixelPerf S SplashPerf	04 4' 08 8' XX Total run length (4' increments)	7 1 cct Dimming E 2 cct A/B Dimming M 1 cct Dimming + EM Wiring N 1 cct Dimming + EM Batt. Pack	1 120V 2 277V 3 347V	E Philips Advance 0-10V (1% dim)	W Standard White T Titanium Silver B Black C Custom

\* Nominal values within a range. Consult photometry data for color temp, lumens & distribution of chosen configuration.  
 † Not all wiring types are available with all configurations. Consult Philips Ledalite for a complete list of available options.

## Mounting Hardware

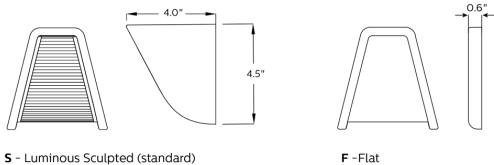
**Mount Type**  
Consult separate mounting spec sheet for mount type options

**Suspension Length**  
Distance from ceiling to top of luminaire in inches

Endcaps -

**Integrated Controls** Please indicate with check mark.

Response Daylight Single Zone (DS)



# Jump Suspended/Surface

3100 lm/4ft, Asymmetric Solid

3000/3500/4000K

## Optical System

White light emitted from a linear array of downward-facing LEDs is laterally redirected using either a biconvex lens or optical microstructures embedded in a layer of MesoOptics DX film. An extruded, ribbed acrylic lens and MesoOptics film assembly then generates an optimal batwing distribution and a uniform continuum of light.

## Endcaps

Diecast aluminum, available in luminous sculpted (standard) or flat (optional).

## Finish

High quality powder coated, available in matte white, black or titanium silver. Other custom colors available on request.

## Housing

20 gauge cold-rolled steel, precision formed and welded with optional perforated patterns.

## Weight

Maximum 3.5lb/ft.

## Electrical

Factory pre-wired to section ends with quick-wire connectors.

## Standard Driver

Philips Advance Xitanium 0-10V, 1-100%. Class 2 rated output. Consult Philips Ledalite for other available drivers.

## Standard Battery Pack

Philips Bodine, 90 min, 10W, Class 2 rated output. Emergency lumen output = 10W x luminaire efficacy x 1.1. Typical output: symmetric 1300lm, asymmetric 1100lm.

## Lumen Maintenance

At an ambient temperature of 25°C, the LED lumen maintenance expectation according to IES TM-21-11 is: L<sub>80</sub> (12k) >72,000 hrs (**Reported** methodology) L<sub>70</sub> (12k) 110,000 hrs (**Projected** methodology).

## Source Color

LEDs rated for color rendering CRI >80, R9 >0 and fixture to fixture color accuracy within 2 SDCM.

## Controls

Available with the following integrated controls:  
Response daylight sensor (for single zone).

## Mounting

Variable position mounts can be installed up to 18" from each joint and end (suspended, surface, wall or cantilever). In the suspended mount, high strength aircraft cable and stainless steel gripper provide unlimited vertical adjustment and are independently tested to stringent safety standards.

## Joints

Self-aligning joining system with hands-free pre-joining wire access.

## Approvals

Certified to UL, CSA and IES standards. Certain symmetric versions (12x1L) excluding 3000K, 4900lm/4ft configurations (12x1LCC) are DesignLights Consortium® qualified. Please see the DLC QPL list for exact catalog numbers ([www.designlights.org/QPL](http://www.designlights.org/QPL)).

## Warranty

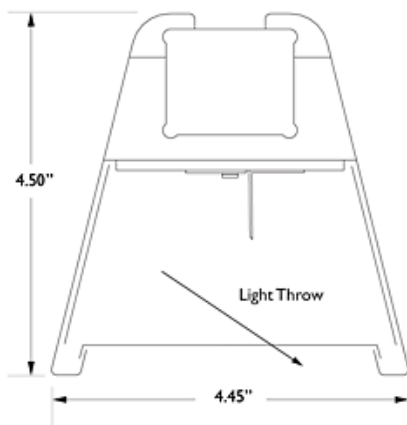
Philips indoor professional luminaires 5 year LED warranty: <http://www.philips.com/warranties>

## Environment

Rated for dry or damp locations in operating ambient temperatures 0–40°C (32–104°F). Certain luminaire components may be adversely affected by contaminants. Damage caused by sulfur, chlorine, petroleum based solutions or other contaminants in the area of operation are not covered under warranty. Not suitable for natatorium environments.

Due to continuing product improvements, Philips Ledalite reserves the right to change the specifications without notice.

## Dimensions - Cross Section

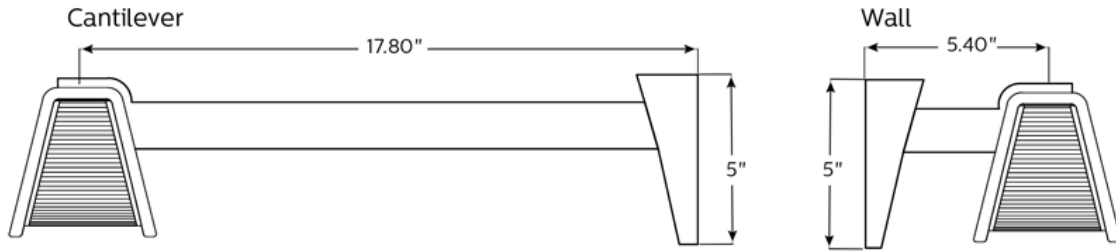


# Jump Suspended/Surface

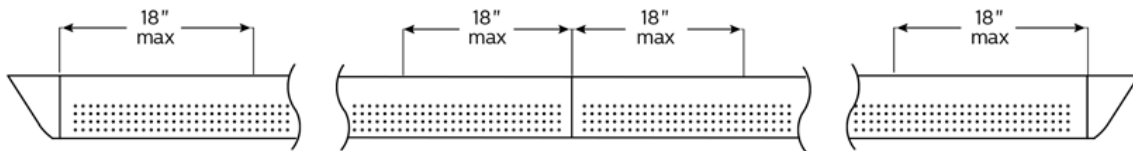
3100 lm/4ft, Asymmetric Solid

3000/3500/4000K

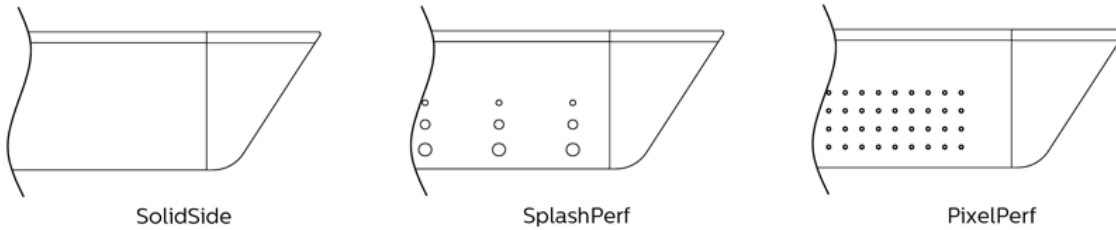
## Dimensions - Modules



## Mounting Run Options



## Optics and Styles

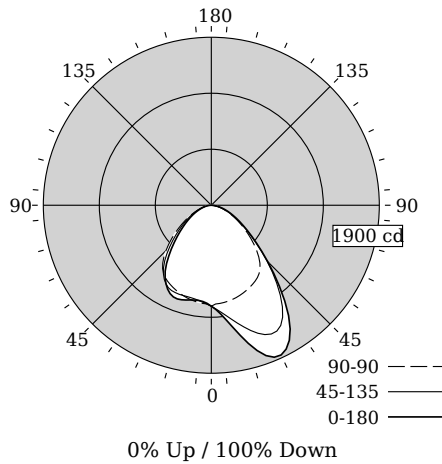


# Jump Suspended/Surface

3100 lm/4ft, Asymmetric Solid

3000/3500/4000K

## Photometry - 3500K



## Candela Distribution

Vertical Angle	Horizontal Angle				Zonal Lumens
	0	45	90	135	
0	1142	1142	1142	1142	0
5	1236	1211	1115	1101	1093
15	1618	1425	1082	1068	1110
25	1868	1607	1025	1064	1103
35	1524	1402	942	945	910
45	902	890	726	666	591
55	497	486	452	405	356
65	272	257	244	230	203
75	128	116	110	110	98
85	14	21	28	33	25
90	0	0	0	0	0
95	0	0	0	0	0
105	0	0	0	0	0
115	0	0	0	0	0
125	0	0	0	0	0
135	0	0	0	0	0
145	0	0	0	0	0
155	0	0	0	0	0
165	0	0	0	0	0
175	0	0	0	0	0
180	0	0	0	0	0

Values per 4ft unit

Fixture photometry has been conducted in accordance with IESNA LM-79-08

IES files for this and other photometric options can be downloaded online at [www.lightingproducts.philips.com](http://www.lightingproducts.philips.com)

## Coefficients of Utilization (%)

RCR	Ceiling		80		70		50		10		0	
	70	50	30	10	70	50	30	50	30	10	0	0
0	119	119	119	119	116	116	116	111	111	111	100	0
1	110	106	102	99	108	104	100	100	97	94	87	87
2	101	94	88	83	99	92	87	89	84	80	75	75
3	93	84	77	71	91	82	76	79	74	69	65	65
4	86	75	67	61	84	74	66	71	65	60	56	56
5	80	68	60	53	78	67	59	65	58	53	49	49
6	74	61	53	47	72	61	53	59	52	47	44	44
7	69	56	48	42	67	55	47	54	47	42	39	39
8	64	51	43	38	63	51	43	49	42	37	35	35
9	60	47	39	34	59	47	39	45	39	34	32	32
10	56	44	36	31	55	43	36	42	35	31	29	29

## Avg. Luminance (cd/m2)

Vertical Angle	Horizontal Angle		
	0	90	180
55	7240	6586	5199
65	5382	4828	4022
75	4150	3541	3172
85	1302	2684	2382

## Distribution

Hemisphere	0% Up / 100% Down
Glare Control	Meets RP-1-12 recommendations for VDT-Normal spaces
Spacing Along (0 °)	1.65
Spacing Across (90 °)	1.3
Spacing at 180 °	1.29

Philips Ledalite

**LED lighting facts**  
A Program of the U.S. DOE

---

**Light Output (Lumens)** **3131**

**Watts** **32.6**

**Lumens per Watt (Efficacy)** **96**

---

**Color Accuracy**  
Color Rendering Index (CRI) **83**

---

**Light Color**  
Correlated Color Temperature (CCT) **3434 (Bright White)**

2700K    3000K    4500K    6500K

All results are according to IESNA LM-79-2008: Approved Method for the Electrical and Photometric Testing of Solid-State Lighting. The U.S. Department of Energy (DOE) verifies product test data and results.

Visit [www.lightingfacts.com](http://www.lightingfacts.com) for the Label Reference Guide.

Registration Number: F46Z-5DNLL2 (7/21/2017)  
Model Number: 12x8LBEQE  
Type: Luminaire - Linear

# Jump Suspended/Surface

3100 lm/4ft, Asymmetric Solid

3000/3500/4000K

## Optical Performance

Nominal CCT:	3000K	3500K	4000K
Flux (lm)	2985	3131	3176
Efficacy (lm/W)	91.0	96.0	96.2
Power (W)	32.8	32.6	33.0
CCT (K)	3076	3434	4055
CRI	84	83	84
R9	11	7	10
x	0.4321	0.4109	0.3792
y	0.4031	0.3974	0.3796
Duv	0.0002	0.0017	0.0018

## Electrical Performance - 3500K

Input Voltage	120V	277V	347V
Input Power	32.6W	32.5W	33.5W
Input Current	0.27A	0.12A	0.10A
Power Factor	0.996	0.964	0.964
Total Harm. Distortion	6.7%	10.0%	9.0%

Tested values . contact technical support for rated values. Off-state power zero unless certain controls are specified.

