



Linear

Jump Suspended/Surface

4900 lm/4ft, Perf Housing
3000/3500/4000K



Project: _____
 Spec Type: _____
 Catalog No: 1211LxCQx _____
 Qty _____
 Line Notes: _____

Jump's contemporary aesthetic combines the latest lighting technologies with texture, pattern, and rhythm along an uninterrupted end to end continuum of luminance.

Ordering guide

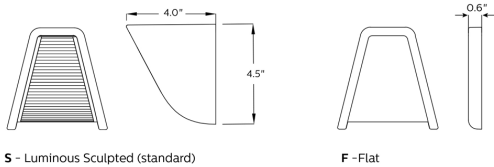
Product Type	Source	Color Temp *	Lumens *	Lower Optics	Upper Optics	Run Length	Wiring †	Voltage	Driver	Finish
<input type="text" value="1211"/>	<input type="text" value="L"/>	<input type="text"/>	<input type="text" value="C"/>	<input type="text" value="Q"/>	<input type="text"/>	<input type="text"/>	<input type="text"/>	<input type="text"/>	<input type="text"/>	<input type="text"/>
Jump Surface Mount Symmetric	L LED	A 4000K B 3500K C 3000K	C 4900 lm/4ft E 3600 lm/4ft G 2400 lm/4ft	Q MesoOptics Lens	E Solid Side P PixelPerf S SplashPerf	04 4' 08 8' XX Total run length (4' increments)	7 1 cct Dimming E 2 cct A/B Dimming M 1 cct Dimming + EM Wiring N 1 cct Dimming + EM Batt. Pack	1 120V 2 277V 3 347V	E Philips Advance 0-10V (1% dim)	W Standard White T Titanium Silver B Black C Custom

* Nominal values within a range. Consult photometry data for color temp, lumens & distribution of chosen configuration.
 † Not all wiring types are available with all configurations. Consult Philips Ledalite for a complete list of available options.

Mounting Hardware

Mount Type
 Consult separate mounting spec sheet for mount type options

Endcaps -



Integrated Controls Please indicate with check mark.

Response Daylight Single Zone (DS)



Jump Suspended/Surface

4900 lm/4ft, Perf Housing

3000/3500/4000K

Optical System

White light emitted from a linear array of downward-facing LEDs is laterally redirected using either a biconvex lens or optical microstructures embedded in a layer of MesoOptics DX film. An extruded, ribbed acrylic lens and MesoOptics film assembly then generates an optimal batwing distribution and a uniform continuum of light.

Endcaps

Diecast aluminum, available in luminous sculpted (standard) or flat (optional).

Finish

High quality powder coated, available in matte white, black or titanium silver. Other custom colors available on request.

Housing

20 gauge cold-rolled steel, precision formed and welded with optional perforated patterns.

Weight

Maximum 3.5lb/ft.

Electrical

Factory pre-wired to section ends with quick-wire connectors.

Standard Driver

Philips Advance Xitanium 0-10V, 1-100%. Class 2 rated output. Consult Philips Ledalite for other available drivers.

Standard Battery Pack

Philips Bodine, 90 min, 10W, Class 2 rated output. Emergency lumen output = 10W x luminaire efficacy x 1.1. Typical output: symmetric 1300lm, asymmetric 1100lm.

Lumen Maintenance

At an ambient temperature of 25°C, the LED lumen maintenance expectation according to IES TM-21-11 is: L₈₀ (12k) >72,000 hrs (**Reported** methodology) L₇₀ (12k) 110,000 hrs (**Projected** methodology).

Source Color

LEDs rated for color rendering CRI >80, R9 >0 and fixture to fixture color accuracy within 2 SDCM.

Controls

Available with the following integrated controls:
Response daylight sensor (for single zone).

Mounting

Variable position mounts can be installed up to 18" from each joint and end (suspended, surface, wall or cantilever). In the suspended mount, high strength aircraft cable and stainless steel gripper provide unlimited vertical adjustment and are independently tested to stringent safety standards.

Joints

Self-aligning joining system with hands-free pre-joining wire access.

Approvals

Certified to UL, CSA and IES standards. Certain symmetric versions (12x1L) excluding 3000K, 4900lm/4ft configurations (12x1LCC) are DesignLights Consortium® qualified. Please see the DLC QPL list for exact catalog numbers (www.designlights.org/QPL).

Warranty

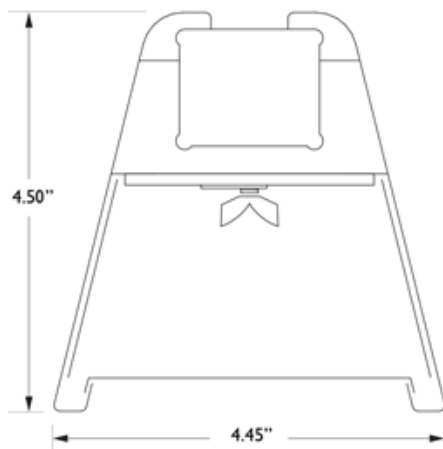
Philips indoor professional luminaires 5 year LED warranty: <http://www.philips.com/warranties>

Environment

Rated for dry or damp locations in operating ambient temperatures 0-40°C (32-104°F). Certain luminaire components may be adversely affected by contaminants. Damage caused by sulfur, chlorine, petroleum based solutions or other contaminants in the area of operation are not covered under warranty. Not suitable for natatorium environments.

Due to continuing product improvements, Philips Ledalite reserves the right to change the specifications without notice.

Dimensions - Cross Section

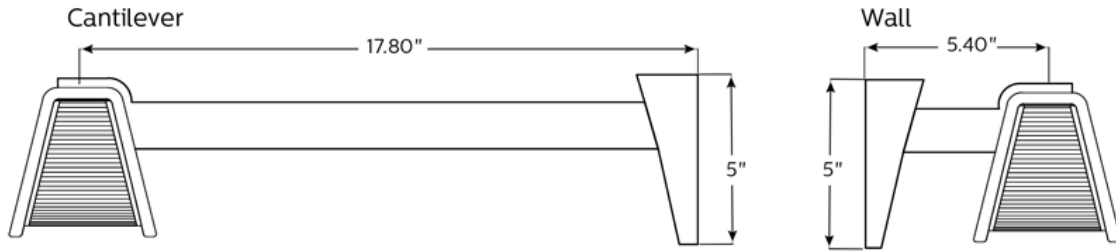


Jump Suspended/Surface

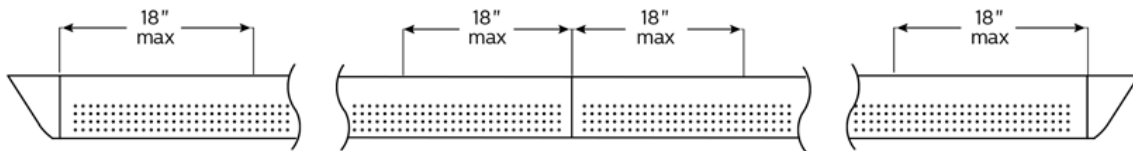
4900 lm/4ft, Perf Housing

3000/3500/4000K

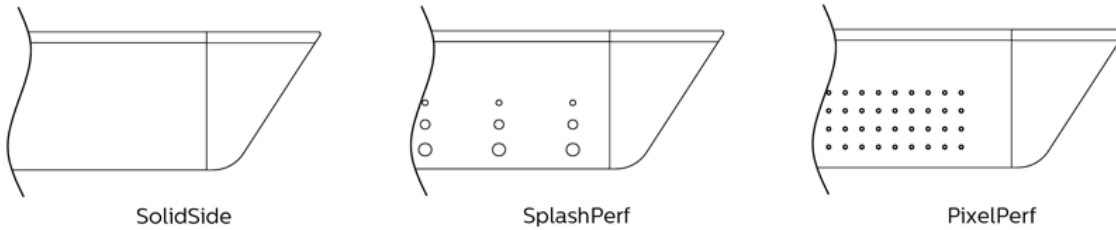
Dimensions - Modules



Mounting Run Options



Optics and Styles

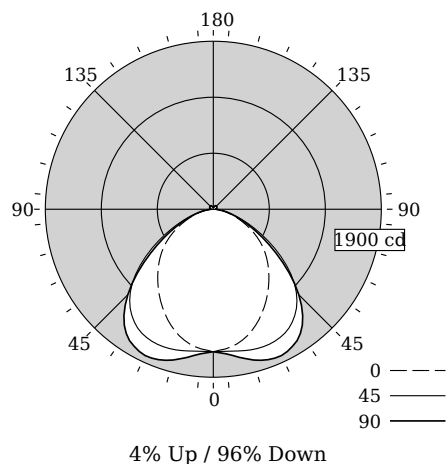


Jump Suspended/Surface

4900 lm/4ft, Perf Housing

3000/3500/4000K

Photometry - 3500K



Candela Distribution

Vertical Angle	Horizontal Angle				Zonal Lumens
	0	22.5	45	67.5	
0	1612	1612	1612	1612	0
5	1586	1603	1613	1633	155
15	1483	1539	1646	1737	463
25	1298	1428	1647	1787	740
35	1086	1269	1557	1693	923
45	872	1049	1328	1386	937
55	650	767	935	900	867
65	399	457	518	480	463
75	192	212	223	212	210
85	50	55	61	61	63
90	3	12	20	27	30
95	6	17	25	31	33
105	6	27	33	37	39
115	7	33	39	43	44
125	9	31	47	48	49
135	11	27	48	52	52
145	12	24	42	50	49
155	13	20	32	41	41
165	14	16	22	27	27
175	14	14	15	17	16
180	15	15	15	15	0

Values per 4ft unit

Fixture photometry has been conducted in accordance with IESNA LM-79-08

IES files for this and other photometric options can be downloaded online at www.lightingproducts.philips.com

Coefficients of Utilization (%)

RCR	Ceiling/Wall										
	70	50	30	10	70	50	30	10	70	50	
0	118	118	118	118	115	115	115	109	109	109	96
1	109	104	100	96	105	101	98	96	94	91	82
2	99	91	85	80	96	89	83	85	80	76	69
3	91	81	73	67	88	79	72	75	69	64	59
4	83	72	63	57	81	70	62	67	60	55	50
5	77	64	55	49	74	63	55	60	53	48	44
6	71	58	49	43	69	57	48	54	47	42	38
7	66	52	44	38	64	51	43	49	42	37	34
8	61	48	39	34	59	47	39	45	38	33	30
9	57	44	36	30	55	43	35	42	35	30	27
10	53	40	33	27	52	40	32	38	32	27	25

Avg. Luminance (cd/m2)

Vertical Angle	Horizontal Angle		
	0	45	90
55	8965	8829	7377
65	7284	5636	4417
75	5399	2970	2371
85	3284	1089	895

Distribution

Hemisphere	4% Up / 96% Down
Spacing Along (0 °)	1.12
Spacing Across (90 °)	1.56

Philips Ledalite

LED lighting facts
A Program of the U.S. DOE

Light Output (Lumens) **4940**

Watts **45.1**

Lumens per Watt (Efficacy) **109.5**

Color Accuracy
Color Rendering Index (CRI) **83**

Light Color
Correlated Color Temperature (CCT) **3434 (Bright White)**

2700K 3000K 4500K 6500K

All results are according to IESNA LM-79-2008: Approved Method for the Electrical and Photometric Testing of Solid-State Lighting. The U.S. Department of Energy (DOE) verifies product test data and results.

Visit www.lightingfacts.com for the Label Reference Guide.

Registration Number: F46Z-MS6PVZ (7/21/2017)
Model Number: 12x1LBCQS
Type: Luminaire - Linear

Jump Suspended/Surface

4900 lm/4ft, Perf Housing

3000/3500/4000K

Optical Performance

Nominal CCT:	3000K	3500K	4000K
Flux (lm)	4710	4940	5012
Efficacy (lm/W)	103.7	109.5	109.9
Power (W)	45.4	45.1	45.6
CCT (K)	3076	3434	4055
CRI	84	83	84
R9	11	7	10
x	0.4321	0.4109	0.3792
y	0.4031	0.3974	0.3796
Duv	0.0002	0.0017	0.0018

Electrical Performance - 3500K

Input Voltage	120V	277V	347V
Input Power	45.1W	44.6W	46.2W
Input Current	0.38A	0.17A	0.14A
Power Factor	0.996	0.972	0.979
Total Harm. Distortion	6.3%	10.0%	8.0%

Tested values . contact technical support for rated values. Off-state power zero unless certain controls are specified.

