



# Linear

Jump Suspended/Surface

2000 lm/4ft, Asymmetric Perf  
3000/3500/4000K



Project: \_\_\_\_\_  
 Spec Type: \_\_\_\_\_  
 Catalog No: 1218LxGQx \_\_\_\_\_  
 Qty \_\_\_\_\_  
 Line Notes: \_\_\_\_\_

Jump's contemporary aesthetic combines the latest lighting technologies with texture, pattern, and rhythm along an uninterrupted end to end continuum of luminance.

## Ordering guide

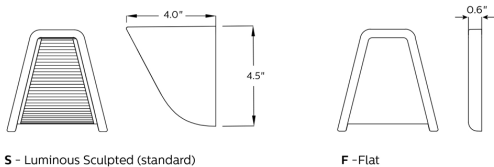
Product Type	Source	Color Temp *	Lumens *	Lower Optics	Upper Optics	Run Length	Wiring †	Voltage	Driver	Finish
<input type="text" value="1218"/>	<input type="text" value="L"/>	<input type="text"/>	<input type="text" value="G"/>	<input type="text" value="Q"/>	<input type="text"/>	<input type="text"/>	<input type="text"/>	<input type="text"/>	<input type="text"/>	<input type="text"/>
Jump Surface Mount Asymmetric	L LED	A 4000K B 3500K C 3000K	C 4200lm/4ft E 3100lm/4ft G 2000lm/4ft	Q MesoOptics Lens	E Solid Side P PixelPerf S SplashPerf	04 4' 08 8' XX Total run length (4' increments)	7 1 cct Dimming E 2 cct A/B Dimming M 1 cct Dimming + EM Wiring N 1 cct Dimming + EM Batt. Pack	1 120V 2 277V 3 347V	E Philips Advance 0-10V (1% dim)	W Standard White T Titanium Silver B Black C Custom

\* Nominal values within a range. Consult photometry data for color temp, lumens & distribution of chosen configuration.  
 † Not all wiring types are available with all configurations. Consult Philips Ledalite for a complete list of available options.

## Mounting Hardware

**Mount Type**  
 Consult separate mounting spec sheet for mount type options

Endcaps -



**Integrated Controls** Please indicate with check mark.

Response Daylight Single Zone (DS)



# Jump Suspended/Surface

2000 lm/4ft, Asymmetric Perf

3000/3500/4000K

## Optical System

White light emitted from a linear array of downward-facing LEDs is laterally redirected using either a biconvex lens or optical microstructures embedded in a layer of MesoOptics DX film. An extruded, ribbed acrylic lens and MesoOptics film assembly then generates an optimal batwing distribution and a uniform continuum of light.

## Endcaps

Diecast aluminum, available in luminous sculpted (standard) or flat (optional).

## Finish

High quality powder coated, available in matte white, black or titanium silver. Other custom colors available on request.

## Housing

20 gauge cold-rolled steel, precision formed and welded with optional perforated patterns.

## Weight

Maximum 3.5lb/ft.

## Electrical

Factory pre-wired to section ends with quick-wire connectors.

## Standard Driver

Philips Advance Xitanium 0-10V, 1-100%. Class 2 rated output. Consult Philips Ledalite for other available drivers.

## Standard Battery Pack

Philips Bodine, 90 min, 10W, Class 2 rated output, Emergency lumen output = 10W x luminaire efficacy x 1.1. Typical output: symmetric 1300lm, asymmetric 1100lm.

## Lumen Maintenance

At an ambient temperature of 25°C, the LED lumen maintenance expectation according to IES TM-21-11 is: L<sub>80</sub> (12k) >72,000 hrs (**Reported** methodology) L<sub>70</sub> (12k) 110,000 hrs (**Projected** methodology).

## Source Color

LEDs rated for color rendering CRI >80, R9 >0 and fixture to fixture color accuracy within 2 SDCM.

## Controls

Available with the following integrated controls:  
Response daylight sensor (for single zone).

## Mounting

Variable position mounts can be installed up to 18" from each joint and end (suspended, surface, wall or cantilever). In the suspended mount, high strength aircraft cable and stainless steel gripper provide unlimited vertical adjustment and are independently tested to stringent safety standards.

## Joints

Self-aligning joining system with hands-free pre-joining wire access.

## Approvals

Certified to UL, CSA and IES standards. Certain symmetric versions (12x1L) excluding 3000K, 4900lm/4ft configurations (12x1LCC) are DesignLights Consortium® qualified. Please see the DLC QPL list for exact catalog numbers ([www.designlights.org/QPL](http://www.designlights.org/QPL)).

## Warranty

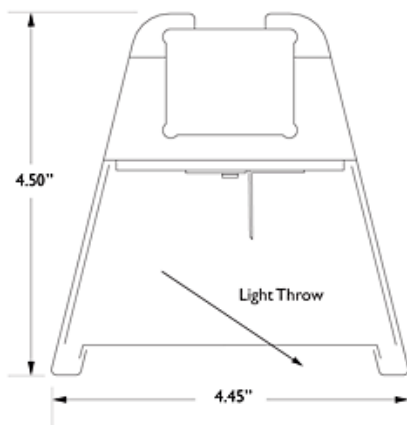
Philips indoor professional luminaires 5 year LED warranty: <http://www.philips.com/warranties>

## Environment

Rated for dry or damp locations in operating ambient temperatures 0–40°C (32–104°F). Certain luminaire components may be adversely affected by contaminants. Damage caused by sulfur, chlorine, petroleum based solutions or other contaminants in the area of operation are not covered under warranty. Not suitable for natatorium environments.

Due to continuing product improvements, Philips Ledalite reserves the right to change the specifications without notice.

## Dimensions - Cross Section

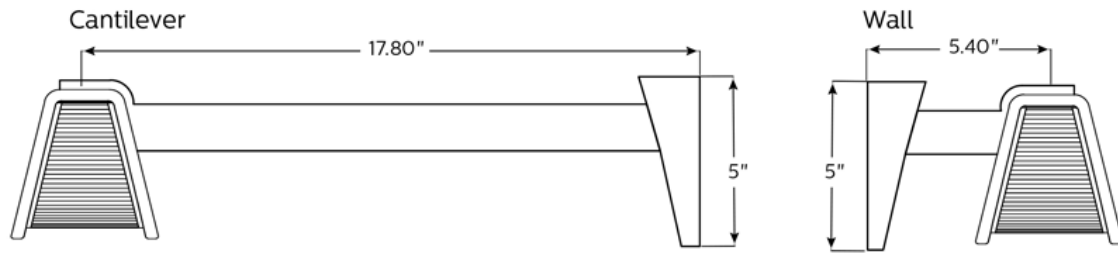


# Jump Suspended/Surface

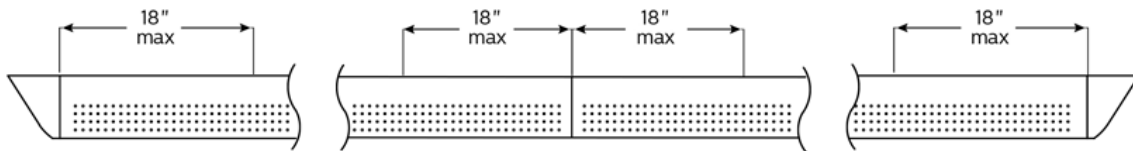
2000 lm/4ft, Asymmetric Perf

3000/3500/4000K

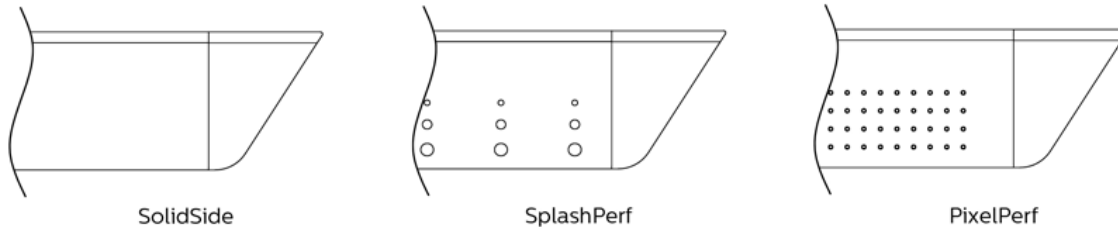
## Dimensions - Modules



## Mounting Run Options



## Optics and Styles

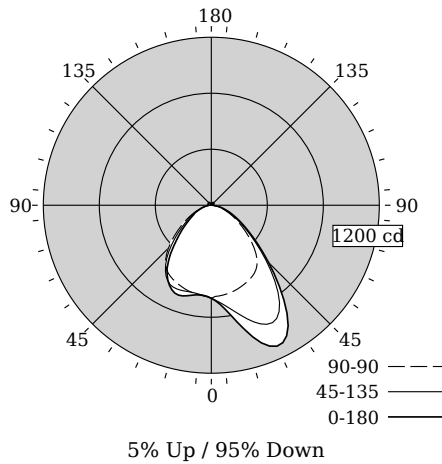


# Jump Suspended/Surface

2000 lm/4ft, Asymmetric Perf

3000/3500/4000K

## Photometry - 3500K



## Candela Distribution

Vertical Angle	Horizontal Angle				Zonal Lumens
	0	45	90	135	
0	665	665	665	665	0
5	710	697	650	647	65
15	919	813	633	639	206
25	1111	938	604	645	353
35	943	850	558	571	421
45	579	549	433	402	350
55	325	306	270	237	206
65	180	165	150	133	129
75	88	77	66	74	64
85	18	18	15	26	27
90	10	8	3	15	17
95	13	10	3	15	20
105	17	14	3	18	23
115	19	17	3	20	25
125	22	21	4	23	26
135	25	20	5	23	27
145	23	17	5	19	24
155	18	14	6	15	18
165	12	9	6	11	12
175	7	7	6	7	8
180	7	7	7	7	0

Values per 4ft unit

Fixture photometry has been conducted in accordance with IESNA LM-79-08

IES files for this and other photometric options can be downloaded online at [www.lightingproducts.philips.com](http://www.lightingproducts.philips.com)

## Coefficients of Utilization (%)

RCR	Ceiling										
	70	50	30	10	70	50	30	10	70	50	
0	118	118	118	118	115	115	115	108	108	108	95
1	109	105	101	97	106	102	99	97	94	92	82
2	100	93	87	81	97	90	85	86	82	78	71
3	92	82	75	69	89	81	74	77	71	66	61
4	85	74	66	60	82	72	65	69	63	58	53
5	78	66	58	52	76	65	57	62	56	50	46
6	73	60	52	46	70	59	51	57	50	45	41
7	67	55	46	41	65	54	46	52	45	40	37
8	63	50	42	36	61	49	41	47	41	36	33
9	59	46	38	33	57	45	38	44	37	32	30
10	55	42	35	30	54	42	34	40	34	29	27

## Avg. Luminance (cd/m2)

Vertical Angle	Horizontal Angle		
	0	90	180
55	2763	3724	1749
65	1717	2734	1233
75	989	1865	724
85	258	1017	391

## Distribution

Hemisphere	5% Up / 95% Down
Glare Control	Meets RP-1-12 recommendations for VDT-Normal spaces
Spacing Along (0 °)	1.69
Spacing Across (90 °)	1.31
Spacing at 180 °	1.32

Philips Ledalite

**LED lighting facts**  
A Program of the U.S. DOE

---

**Light Output (Lumens)** **1993**

**Watts** **19.6**

**Lumens per Watt (Efficacy)** **101.7**

---

**Color Accuracy**  
Color Rendering Index (CRI) **83**

---

**Light Color**  
Correlated Color Temperature (CCT) **3434 (Bright White)**

2700K    3000K    4500K    6500K

All results are according to IESNA LM-79-2008: Approved Method for the Electrical and Photometric Testing of Solid-State Lighting. The U.S. Department of Energy (DOE) verifies product test data and results.

Visit [www.lightingfacts.com](http://www.lightingfacts.com) for the Label Reference Guide.

Registration Number: F46Z-JFCLTY (7/21/2017)  
Model Number: 12x8LBGQS  
Type: Luminaire - Linear

# Jump Suspended/Surface

2000 lm/4ft, Asymmetric Perf

3000/3500/4000K

## Optical Performance

Nominal CCT:	3000K	3500K	4000K
Flux (lm)	1900	1993	2022
Efficacy (lm/W)	96.4	101.7	102.1
Power (W)	19.7	19.6	19.8
CCT (K)	3076	3434	4055
CRI	84	83	84
R9	11	7	10
x	0.4321	0.4109	0.3792
y	0.4031	0.3974	0.3796
Duv	0.0002	0.0017	0.0018

## Electrical Performance - 3500K

Input Voltage	120V	277V	347V
Input Power	19.6W	19.6W	20.7W
Input Current	0.16A	0.07A	0.06A
Power Factor	0.994	0.965	0.970
Total Harm. Distortion	8.1%	11.7%	11.5%

Tested values . contact technical support for rated values. Off-state power zero unless certain controls are specified.

