



Linear

Jump Wall/Cantilever

3600 lm/4ft, Solid Housing
3000/3500/4000K



Project: _____
 Spec Type: _____
 Catalog No: 1231LxEQE _____
 Qty _____
 Line Notes: _____

Jump's contemporary aesthetic combines the latest lighting technologies with texture, pattern, and rhythm along an uninterrupted end to end continuum of luminance.

Ordering guide

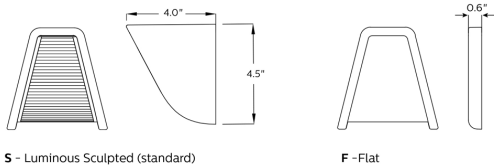
Product Type	Source	Color Temp *	Lumens *	Lower Optics	Upper Optics	Run Length	Wiring †	Voltage	Driver	Finish
<input type="text" value="1231"/>	<input type="text" value="L"/>	<input type="text"/>	<input type="text" value="E"/>	<input type="text" value="Q"/>	<input type="text" value="E"/>	<input type="text"/>	<input type="text"/>	<input type="text"/>	<input type="text"/>	<input type="text"/>
Jump Cantilever Mount Symmetric	L LED	A 4000K B 3500K C 3000K	C 4900 lm/4ft E 3600 lm/4ft G 2400 lm/4ft	Q MesoOptics Lens	E Solid Side P PixelPerf S SplashPerf	04 4' 08 8' XX Total run length (4' increments)	7 1 cct Dimming E 2 cct A/B Dimming M 1 cct Dimming + EM Wiring N 1 cct Dimming + EM Batt. Pack	1 120V 2 277V 3 347V	E Philips Advance 0-10V (1% dim)	W Standard White T Titanium Silver B Black C Custom

* Nominal values within a range. Consult photometry data for color temp, lumens & distribution of chosen configuration.
 † Not all wiring types are available with all configurations. Consult Philips Ledalite for a complete list of available options.

Mounting Hardware

Mount Type
 Consult separate mounting spec sheet for mount type options

Endcaps -



Integrated Controls Please indicate with check mark.

Response Daylight Single Zone (DS)



Jump Wall/Cantilever

3600 lm/4ft, Solid Housing

3000/3500/4000K

Optical System

White light emitted from a linear array of downward-facing LEDs is laterally redirected using either a biconvex lens or optical microstructures embedded in a layer of MesoOptics DX film. An extruded, ribbed acrylic lens and MesoOptics film assembly then generates an optimal batwing distribution and a uniform continuum of light.

Endcaps

Diecast aluminum, available in luminous sculpted (standard) or flat (optional).

Finish

High quality powder coated, available in matte white, black or titanium silver. Other custom colors available on request.

Housing

20 gauge cold-rolled steel, precision formed and welded with optional perforated patterns.

Weight

Maximum 3.5lb/ft.

Electrical

Factory pre-wired to section ends with quick-wire connectors.

Standard Driver

Philips Advance Xitanium 0-10V, 1-100%. Class 2 rated output. Consult Philips Ledalite for other available drivers.

Standard Battery Pack

Philips Bodine, 90 min, 10W, Class 2 rated output. Emergency lumen output = 10W x luminaire efficacy x 1.1. Typical output: symmetric 1300lm, asymmetric 1100lm.

Lumen Maintenance

At an ambient temperature of 25°C, the LED lumen maintenance expectation according to IES TM-21-11 is: L₈₀ (12k) >72,000 hrs (**Reported** methodology) L₇₀ (12k) 110,000 hrs (**Projected** methodology).

Source Color

LEDs rated for color rendering CRI >80, R9 >0 and fixture to fixture color accuracy within 2 SDCM.

Controls

Available with the following integrated controls:
Response daylight sensor (for single zone).

Mounting

Variable position mounts can be installed up to 18" from each joint and end (suspended, surface, wall or cantilever). In the suspended mount, high strength aircraft cable and stainless steel gripper provide unlimited vertical adjustment and are independently tested to stringent safety standards.

Joints

Self-aligning joining system with hands-free pre-joining wire access.

Approvals

Certified to UL, CSA and IES standards. Certain symmetric versions (12x1L) excluding 3000K, 4900lm/4ft configurations (12x1LCC) are DesignLights Consortium® qualified. Please see the DLC QPL list for exact catalog numbers (www.designlights.org/QPL).

Warranty

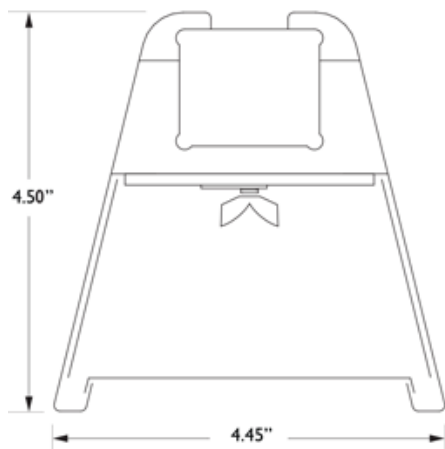
Philips indoor professional luminaires 5 year LED warranty: <http://www.philips.com/warranties>

Environment

Rated for dry or damp locations in operating ambient temperatures 0-40°C (32-104°F). Certain luminaire components may be adversely affected by contaminants. Damage caused by sulfur, chlorine, petroleum based solutions or other contaminants in the area of operation are not covered under warranty. Not suitable for natatorium environments.

Due to continuing product improvements, Philips Ledalite reserves the right to change the specifications without notice.

Dimensions - Cross Section

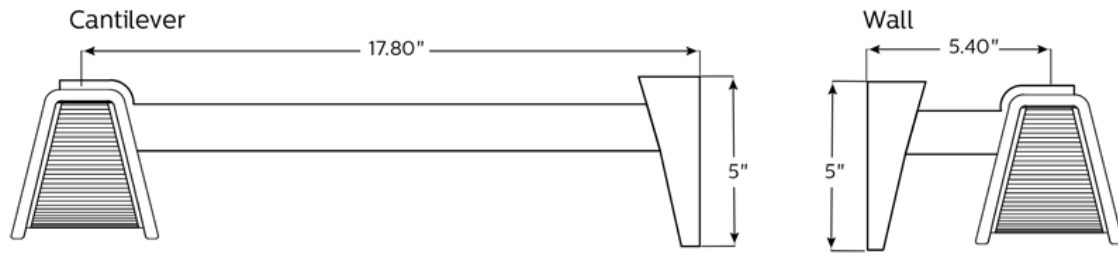


Jump Wall/Cantilever

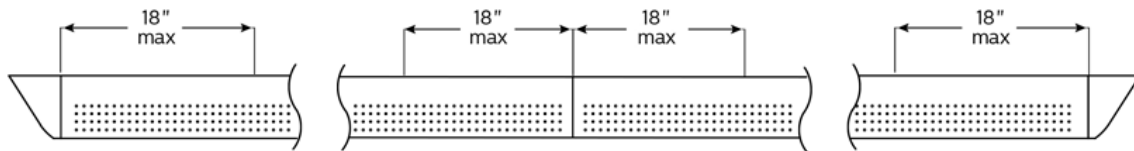
3600 lm/4ft, Solid Housing

3000/3500/4000K

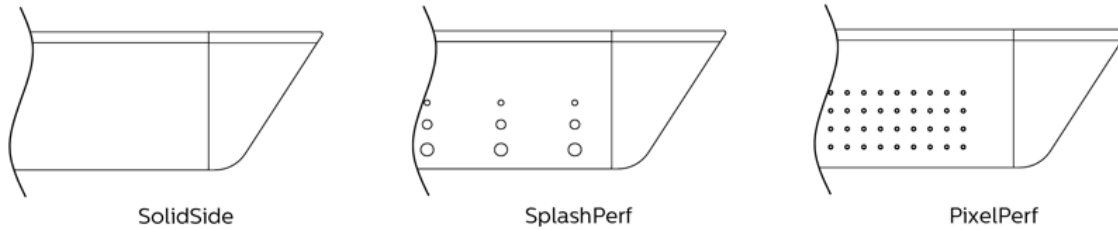
Dimensions - Modules



Mounting Run Options



Optics and Styles

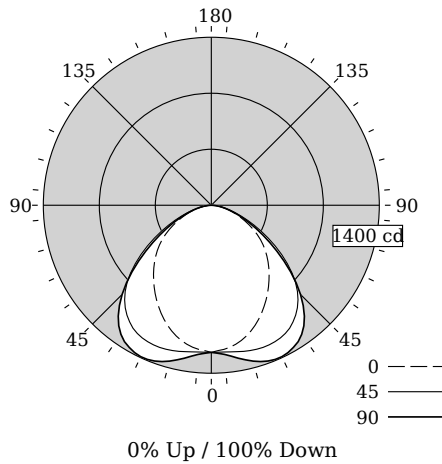


Jump Wall/Cantilever

3600 lm/4ft, Solid Housing

3000/3500/4000K

Photometry - 3500K



Candela Distribution

Vertical Angle	Horizontal Angle				Zonal Lumens
	0	22.5	45	67.5	
0	1226	1226	1226	1226	0
5	1206	1221	1228	1244	118
15	1128	1172	1254	1323	353
25	992	1088	1255	1363	564
35	830	967	1187	1293	705
45	669	802	1015	1063	718
55	501	586	716	693	576
65	308	350	395	368	361
75	149	162	166	157	172
85	39	38	37	32	42
90	0	0	0	0	0
95	0	0	0	0	0
105	0	0	0	0	0
115	0	0	0	0	0
125	0	0	0	0	0
135	0	0	0	0	0
145	0	0	0	0	0
155	0	0	0	0	0
165	0	0	0	0	0
175	0	0	0	0	0
180	0	0	0	0	0

Values per 4ft unit

Fixture photometry has been conducted in accordance with IESNA LM-79-08

IES files for this and other photometric options can be downloaded online at www.lightingproducts.philips.com

Coefficients of Utilization (%)

RCR	Ceiling/Wall										
	70	50	30	10	70	50	30	10	0	0	
0	119	119	119	119	116	116	116	111	111	111	100
1	110	105	101	98	107	103	99	99	96	93	85
2	100	92	86	80	98	90	85	87	82	78	72
3	92	82	74	68	89	80	73	77	71	66	61
4	84	72	64	58	82	71	63	69	62	56	53
5	77	65	56	50	75	64	56	62	54	49	46
6	71	58	50	43	70	57	49	56	48	43	40
7	66	53	44	38	65	52	44	51	43	38	35
8	62	48	40	34	60	48	40	46	39	34	32
9	58	44	36	31	56	44	36	43	35	30	28
10	54	41	33	28	53	40	33	39	32	28	26

Avg. Luminance (cd/m2)

Vertical Angle	Horizontal Angle		
	0	45	90
55	7301	10436	9734
65	6102	7815	7003
75	4803	5354	4996
85	3701	3574	3050

Distribution

Hemisphere	0% Up / 100% Down
Spacing Along (0 °)	1.12
Spacing Across (90 °)	1.56

Philips Ledalite

LED lighting facts
A Program of the U.S. DOE

Light Output (Lumens) **3609**

Watts **32.6**

Lumens per Watt (Efficacy) **110.7**

Color Accuracy
Color Rendering Index (CRI) **83**

Light Color
Correlated Color Temperature (CCT) **3434 (Bright White)**

2700K 3000K 4500K 6500K

All results are according to IESNA LM-79-2008: Approved Method for the Electrical and Photometric Testing of Solid-State Lighting. The U.S. Department of Energy (DOE) verifies product test data and results.

Visit www.lightingfacts.com for the Label Reference Guide.

Registration Number: F46Z-FAH38L (7/21/2017)
Model Number: 12x1LBEQE
Type: Luminaire - Linear

Jump Wall/Cantilever

3600 lm/4ft, Solid Housing

3000/3500/4000K

Optical Performance

Nominal CCT:	3000K	3500K	4000K
Flux (lm)	3442	3609	3661
Efficacy (lm/W)	104.9	110.7	110.9
Power (W)	32.8	32.6	33.0
CCT (K)	3076	3434	4055
CRI	84	83	84
R9	11	7	10
x	0.4321	0.4109	0.3792
y	0.4031	0.3974	0.3796
Duv	0.0002	0.0017	0.0018

Electrical Performance - 3500K

Input Voltage	120V	277V	347V
Input Power	32.6W	32.5W	33.5W
Input Current	0.27A	0.12A	0.10A
Power Factor	0.996	0.964	0.964
Total Harm. Distortion	6.7%	10.0%	9.0%

Tested values . contact technical support for rated values. Off-state power zero unless certain controls are specified.

