

Are you ready to jump?

JUMP CANTILEVER LED



DIRECT, RIBBED MESOOPTICS LENS - SPLASHPERF
CRI >80 3000K, 3600 lm/4ft

Project:

Spec Type:

Catalog No: 1231LCEQS

Qty

Line Notes:



Ordering guide

| Product Type | Source | Color Temp * | Lumens * | Lower Optics | Upper Optics | Run Length | Wiring † | Voltage | Driver | Finish |
|-----------------------------------|--------------------------------|--------------------------------|--------------------------------|--------------------------------|--|--|---|----------------------------|----------------------|--|
| <input type="text" value="1231"/> | <input type="text" value="L"/> | <input type="text" value="C"/> | <input type="text" value="E"/> | <input type="text" value="Q"/> | <input type="text" value="S"/> | <input type="text"/> | <input type="text"/> | <input type="text"/> | <input type="text"/> | <input type="text"/> |
| Jump Symmetric | L LED | A 4000K B 3500K C 3000K | G 2400 lm/4ft E 3600 lm/4ft | Q MesoOptics Lens | E No Perf P PixelPerf S SplashPerf | 04 4' 08 8' XX Total run length (4' increments) | 1 1 cct 3 1 cct w/ EM cct 5 1 cct w/ BP 7 1 cct w/ Dimming 8 1 cct w/ TW B 2 cct A/B | 1 120V 2 277V 3 347V | E Standard | W Standard White T Titanium Silver B Black X Custom |

* Nominal values within a range. Consult ies file for exact color temp and lumens † Consult website for complete list of standard wiring options

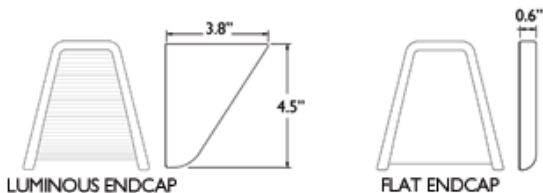
Mounting Hardware

Mount Type
Consult separate mounting spec sheet for mount type options

Endcaps -

Integrated Controls Please indicate with check mark.

No Options Available

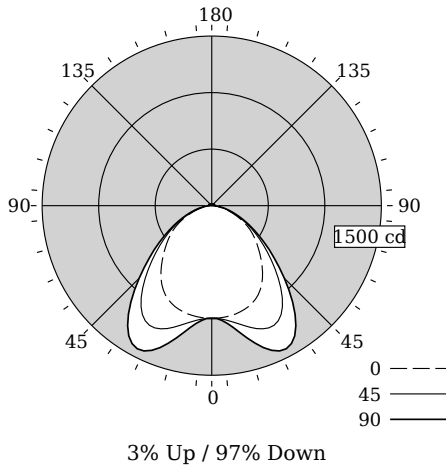


© 2014 Koninklijke Philips N.V. All rights reserved.
Specifications are subject to change without notice.
www.philips.com/luminaires



DIRECT, RIBBED MESOOPTICS LENS - SPLASHPERF

Photometry



LED lighting facts
A Program of the U.S. DOE

Light Output (Lumens) 3264
Watts 45.8
Lumens per Watt (Efficacy) 71

Color Accuracy
Color Rendering Index (CRI) **82**

Light Color
Correlated Color Temperature (CCT) **3087 (Bright White)**

Warm White Bright White Daylight
2700K 3000K 4500K 6500K

Warranty** Yes

All results, except LED Lumen Maintenance, are according to IESNA LM-79-2008. Approved Method for the Electrical and Photometric Testing of Solid-State Lighting. The U.S. Department of Energy (DOE) verifies product test data and results.

**** See www.lightingfacts.com/products for details.**

Registration Number: F462-RV6KJF (8/12/2013)
Model Number: 12x1LCEQx
Type: Other

| | |
|-------------------------------------|-------------------------|
| Total Output | 3264 lm |
| Efficacy | 71.3 lm/W |
| CCT | 3087K |
| CRI | 82 |
| R9 | 15 |
| Distribution | 3% Up / 97% Down |
| Spacing Criteria (0/90/180°) | 1.27/1.68/NA |

Values per 4ft unit

Fixture photometry has been conducted by an NVLAP accredited testing laboratory in accordance with IESNA LM-79:2008

Lumen maintenance of the LEDs has been tested by the manufacturer in accordance with IESNA LM-80:2008

IES files for this and other photometric options can be downloaded online at www.lightingproducts.philips.com

Candela Distribution

| Vertical Angle | Horizontal Angle | | | | Zonal Lumens |
|----------------|------------------|------|------|------|--------------|
| | 0 | 22.5 | 45 | 67.5 | |
| 0 | 996 | 996 | 996 | 996 | 0 |
| 5 | 994 | 990 | 1007 | 1019 | 97 |
| 15 | 972 | 1002 | 1097 | 1185 | 312 |
| 25 | 914 | 994 | 1193 | 1359 | 541 |
| 35 | 782 | 881 | 1090 | 1247 | 660 |
| 45 | 602 | 665 | 792 | 877 | 597 |
| 55 | 444 | 469 | 517 | 552 | 459 |
| 65 | 280 | 289 | 305 | 318 | 302 |
| 75 | 128 | 134 | 145 | 153 | 155 |
| 85 | 30 | 37 | 44 | 47 | 49 |
| 90 | 0 | 9 | 17 | 23 | 26 |
| 95 | 0 | 9 | 17 | 24 | 27 |
| 105 | 1 | 9 | 18 | 24 | 27 |
| 115 | 2 | 10 | 18 | 24 | 26 |
| 125 | 3 | 10 | 17 | 22 | 24 |
| 135 | 5 | 9 | 16 | 20 | 22 |
| 145 | 6 | 9 | 14 | 17 | 18 |
| 155 | 7 | 8 | 12 | 14 | 15 |
| 165 | 8 | 8 | 9 | 11 | 11 |
| 175 | 8 | 8 | 8 | 8 | 8 |
| 180 | 8 | 8 | 8 | 8 | 0 |

Coefficients of Utilization (%)

| RCR | Ceiling: | | 80 | | | | 70 | | | |
|-----|----------|-----|-----|-----|-----|-----|-----|-----|-----|-----|
| | Wall: | 70 | 50 | 30 | 10 | 70 | 50 | 30 | 50 | 50 |
| 0 | | 118 | 118 | 118 | 118 | 115 | 115 | 115 | 110 | 110 |
| 1 | | 109 | 104 | 100 | 97 | 106 | 102 | 98 | 97 | 94 |
| 2 | | 100 | 92 | 86 | 80 | 97 | 90 | 84 | 86 | 81 |
| 3 | | 91 | 81 | 74 | 67 | 89 | 80 | 72 | 76 | 70 |
| 4 | | 84 | 72 | 64 | 58 | 81 | 71 | 63 | 68 | 61 |
| 5 | | 77 | 65 | 56 | 50 | 75 | 64 | 56 | 61 | 54 |
| 6 | | 71 | 59 | 50 | 44 | 69 | 57 | 49 | 55 | 48 |
| 7 | | 66 | 53 | 45 | 39 | 64 | 52 | 44 | 50 | 43 |
| 8 | | 62 | 48 | 40 | 35 | 60 | 48 | 40 | 46 | 39 |
| 9 | | 58 | 44 | 36 | 31 | 56 | 44 | 36 | 42 | 35 |
| 10 | | 54 | 41 | 33 | 28 | 53 | 40 | 33 | 39 | 32 |

Avg. Luminance (cd/m²)

| Vertical Angle | Horizontal Angle | | |
|----------------|------------------|------|------|
| | 0 | 45 | 90 |
| 55 | 6185 | 4949 | 4889 |
| 65 | 5157 | 3373 | 3147 |
| 75 | 3642 | 1968 | 1804 |
| 85 | 2009 | 805 | 687 |

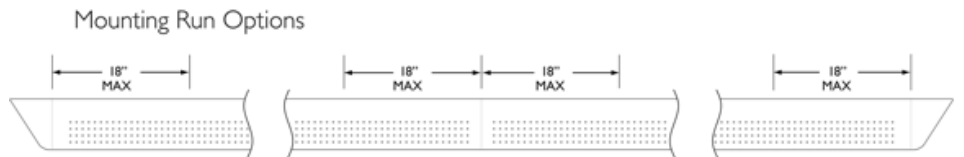
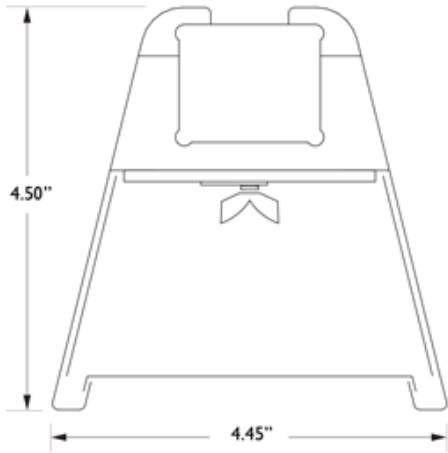
Electrical Specifications

| | |
|--|--------------|
| Input Voltage | 120V |
| Input Power | 45.8W |
| Input Current | 0.4A |
| Power Factor | 0.99 |
| Tested values – contact technical support for rated values. Off-state power zero unless certain controls are specified. | |

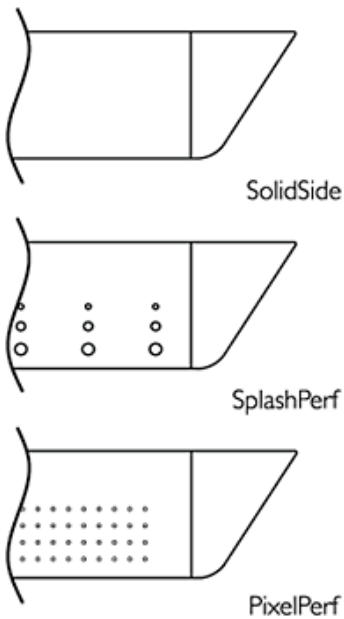
JUMP CANTILEVER LED

DIRECT, RIBBED MESOOPTICS LENS - SPLASHPERF

Options and Details



Optics & Styles



Housing

20 gauge cold-rolled steel precision formed and welded with optional perforated patterns.

Weight

Maximum 3.5lb/ft.

Optical System

White light emitted from the LED sources passes through a biconvex lens where it is internally reflected and laterally refocused. Light is then redirected by Miro Silver reflectors and exits through the optical lens assembly. The optical lens assembly consists of an acrylic extrusion with a ribbed profile holding a layer of MesoOptics film. MesoOptics homogenizes the light and color to ensure consistency while controlling high angle glare and creating an optical batwing distribution.

Standard Driver

Dimming: 0-10V, 5-100%. Output is Class 2 rated.

Lumen Maintenance

At an ambient temperature of 25°C, the LED lumen maintenance expectation is L_{90} (12k) >60,000 hrs.

Mounting

Variable position mounts are supplied for each joint and end. The mounts can be installed up to 18" from joints and end locations. Tamper-resistant aircraft cable grippers provide infinite vertical adjustment capability. Aircraft cable, crimp and cable gripper are independently tested to meet stringent safety requirements.

Joints

Self-aligning joining system with hands-free pre-joining wire access.

Endcaps

Endcaps are diecast aluminum, available in luminous sculpted (standard) or flat (optional).

Electrical

Factory pre-wired to section ends with quick-wire connectors.

Approvals

Certified to UL, CSA and IES standards.

Finish

High quality powder coated, available in matte white, black or titanium silver. Other factory and custom colors available on request.

Environment

Rated for dry or damp locations in operating ambient temperatures 0-40°C (32-104°F). Certain luminaire components may be adversely affected by contaminants. Damage caused by sulfur, chlorine, petroleum based solutions or other contaminants are not covered under warranty.

Due to continuing product improvements, Philips Ledalite reserves the right to change the specifications without notice.



©2014 Koninklijke Philips N.V. All rights reserved.
Specifications are subject to change without notice.
www.philips.com/luminaires

1231LCEQS.pdf 02.15 page 3 of 3

Philips Lighting
North America Corporation
200 Franklin Square Drive
Somerset, NJ 08873
Phone: 855-486-2216

Philips Lighting Company
281 Hillmount Road
Markham ON, Canada L6C 2S3
Phone: 800-668-9008