



Linear

Jump Wall/Cantilever

4200 lm/4ft, Asymmetric Perf
3000/3500/4000K



Project: _____
 Spec Type: _____
 Catalog No: 1238LxCQx _____
 Qty _____
 Line Notes: _____

Jump's contemporary aesthetic combines the latest lighting technologies with texture, pattern, and rhythm along an uninterrupted end to end continuum of luminance.

Ordering guide

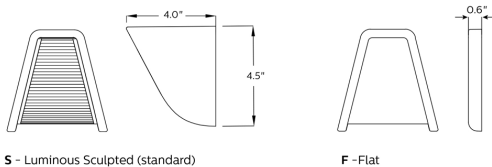
Product Type	Source	Color Temp *	Lumens *	Lower Optics	Upper Optics	Run Length	Wiring †	Voltage	Driver	Finish
<input type="text" value="1238"/>	<input type="text" value="L"/>	<input type="text"/>	<input type="text" value="C"/>	<input type="text" value="Q"/>	<input type="text"/>	<input type="text"/>	<input type="text"/>	<input type="text"/>	<input type="text"/>	<input type="text"/>
Jump Cantilever Mount Asymmetric	L LED	A 4000K B 3500K C 3000K	C 4200lm/4ft E 3100lm/4ft G 2000lm/4ft	Q MesoOptics Lens	E Solid Side P PixelPerf S SplashPerf	04 4' 08 8' XX Total run length (4' increments)	7 1 cct Dimming E 2 cct A/B Dimming M 1 cct Dimming + EM Wiring N 1 cct Dimming + EM Batt. Pack	1 120V 2 277V 3 347V	E Philips Advance 0-10V (1% dim)	W Standard White T Titanium Silver B Black C Custom

* Nominal values within a range. Consult photometry data for color temp, lumens & distribution of chosen configuration.
 † Not all wiring types are available with all configurations. Consult Philips Ledalite for a complete list of available options.

Mounting Hardware

Mount Type
 Consult separate mounting spec sheet for mount type options

Endcaps -



Integrated Controls Please indicate with check mark.

Response Daylight Single Zone (DS)



Jump Wall/Cantilever

4200 lm/4ft, Asymmetric Perf

3000/3500/4000K

Optical System

White light emitted from a linear array of downward-facing LEDs is laterally redirected using either a biconvex lens or optical microstructures embedded in a layer of MesoOptics DX film. An extruded, ribbed acrylic lens and MesoOptics film assembly then generates an optimal batwing distribution and a uniform continuum of light.

Endcaps

Diecast aluminum, available in luminous sculpted (standard) or flat (optional).

Finish

High quality powder coated, available in matte white, black or titanium silver. Other custom colors available on request.

Housing

20 gauge cold-rolled steel, precision formed and welded with optional perforated patterns.

Weight

Maximum 3.5lb/ft.

Electrical

Factory pre-wired to section ends with quick-wire connectors.

Standard Driver

Philips Advance Xitanium 0-10V, 1-100%. Class 2 rated output. Consult Philips Ledalite for other available drivers.

Standard Battery Pack

Philips Bodine, 90 min, 10W, Class 2 rated output, Emergency lumen output = 10W x luminaire efficacy x 1.1. Typical output: symmetric 1300lm, asymmetric 1100lm.

Lumen Maintenance

At an ambient temperature of 25°C, the LED lumen maintenance expectation according to IES TM-21-11 is: L₈₀ (12k) >72,000 hrs (**Reported** methodology) L₇₀ (12k) 110,000 hrs (**Projected** methodology).

Source Color

LEDs rated for color rendering CRI >80, R9 >0 and fixture to fixture color accuracy within 2 SDCM.

Controls

Available with the following integrated controls:
Response daylight sensor (for single zone).

Mounting

Variable position mounts can be installed up to 18" from each joint and end (suspended, surface, wall or cantilever). In the suspended mount, high strength aircraft cable and stainless steel gripper provide unlimited vertical adjustment and are independently tested to stringent safety standards.

Joints

Self-aligning joining system with hands-free pre-joining wire access.

Approvals

Certified to UL, CSA and IES standards. Certain symmetric versions (12x1L) excluding 3000K, 4900lm/4ft configurations (12x1LCC) are DesignLights Consortium® qualified. Please see the DLC QPL list for exact catalog numbers (www.designlights.org/QPL).

Warranty

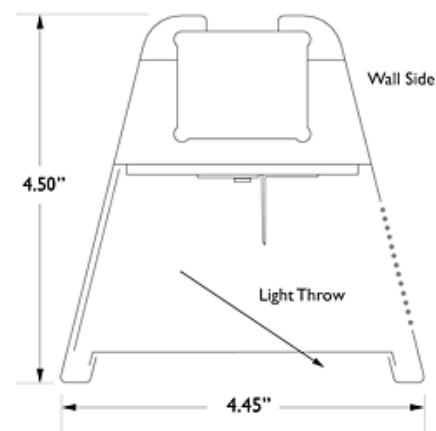
Philips indoor professional luminaires 5 year LED warranty: <http://www.philips.com/warranties>

Environment

Rated for dry or damp locations in operating ambient temperatures 0–40°C (32–104°F). Certain luminaire components may be adversely affected by contaminants. Damage caused by sulfur, chlorine, petroleum based solutions or other contaminants in the area of operation are not covered under warranty. Not suitable for natatorium environments.

Due to continuing product improvements, Philips Ledalite reserves the right to change the specifications without notice.

Dimensions - Cross Section

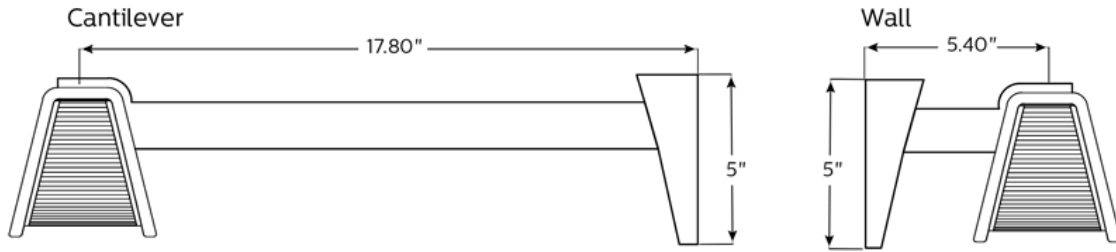


Jump Wall/Cantilever

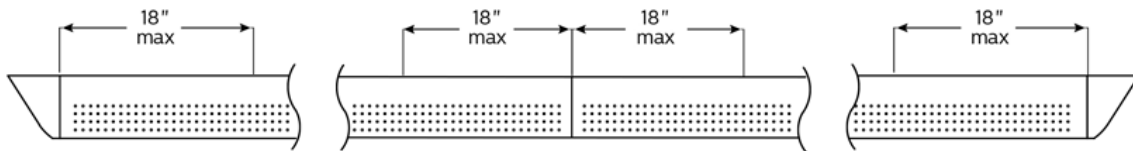
4200 lm/4ft, Asymmetric Perf

3000/3500/4000K

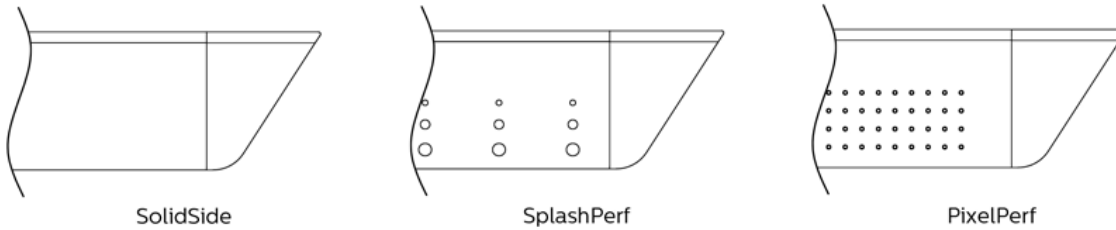
Dimensions - Modules



Mounting Run Options



Optics and Styles

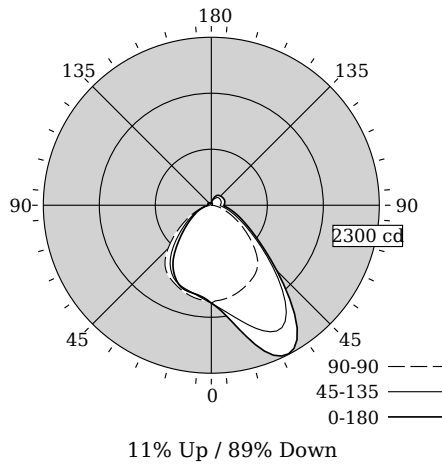


Jump Wall/Cantilever

4200 lm/4ft, Asymmetric Perf

3000/3500/4000K

Photometry - 3500K



Candela Distribution

Vertical Angle	Horizontal Angle					Zonal Lumens
	0	45	90	135	180	
0	1402	1402	1402	1402	1402	0
5	1497	1471	1372	1366	1363	137
15	1939	1716	1336	1347	1412	435
25	2343	1980	1274	1361	1406	745
35	1990	1793	1176	1205	1163	889
45	1222	1158	914	847	739	752
55	685	645	569	501	434	514
65	379	349	316	281	272	317
75	185	162	140	156	135	163
85	38	39	33	56	58	53
90	22	17	5	32	37	0
95	28	22	5	31	43	27
105	35	29	5	38	48	32
115	40	36	6	43	52	35
125	46	43	8	49	55	34
135	53	42	10	49	57	30
145	49	36	11	41	51	22
155	39	29	12	32	37	13
165	25	19	13	23	26	6
175	15	14	13	15	16	1
180	14	14	14	14	14	0

Values per 4ft unit

Fixture photometry has been conducted in accordance with IESNA LM-79-08

IES files for this and other photometric options can be downloaded online at www.lightingproducts.philips.com

Coefficients of Utilization (%)

RCR	Ceiling					Wall							
	70	50	30	10	70	50	30	10	70	50	30	10	0
0	118	118	118	118	115	115	115	108	108	108	108	95	0
1	109	105	101	97	106	102	99	97	94	92	92	82	0
2	100	93	87	81	97	90	85	86	82	78	71	71	0
3	92	82	75	69	89	81	74	77	71	66	61	61	0
4	85	74	66	60	82	72	65	69	63	58	53	53	0
5	78	66	58	52	76	65	57	62	56	50	46	46	0
6	73	60	52	46	70	59	51	57	50	45	41	41	0
7	67	55	46	41	65	54	46	52	45	40	37	37	0
8	63	50	42	36	61	49	41	47	41	36	33	33	0
9	59	46	38	33	57	45	38	44	37	32	30	30	0
10	55	42	35	30	54	42	34	40	34	29	27	27	0

Avg. Luminance (cd/m2)

Vertical Angle	Horizontal Angle		
	0	90	180
55	5829	7857	3690
65	3623	5767	2602
75	2086	3935	1527
85	544	2146	825

Distribution

Hemisphere	5% Up / 95% Down
Spacing Along (0 °)	1.69
Spacing Across (90 °)	1.31
Spacing at 180 °	1.32

Philips Ledalite

lighting facts®

A Program of the U.S. DOE

Light Output (Lumens) 4293

Watts 45.4

Lumens per Watt (Efficacy) 94.6

Color Accuracy 83

Color Rendering Index (CRI)

Light Color 3434 (Bright White)

Correlated Color Temperature (CCT)

2700K 3000K 4500K 6500K

All results are according to IESNA LM-79-2008: Approved Method for the Electrical and Photometric Testing of Solid-State Lighting. The U.S. Department of Energy (DOE) verifies product test data and results.

Visit www.lightingfacts.com for the Label Reference Guide.

Registration Number: F46Z-2P217M (7/21/2017)
Model Number: 1238LBCQS
Type: Luminaire - Linear

Jump Wall/Cantilever

4200 lm/4ft, Asymmetric Perf

3000/3500/4000K

Optical Performance

Nominal CCT:	3000K	3500K	4000K
Flux (lm)	4093	4293	4355
Efficacy (lm/W)	89.8	94.6	95.1
Power (W)	45.6	45.4	45.8
CCT (K)	3076	3434	4055
CRI	84	83	84
R9	11	7	10
x	0.4321	0.4109	0.3792
y	0.4031	0.3974	0.3796
Duv	0.0002	0.0017	0.0018

Electrical Performance - 3500K

Input Voltage	120V	277V	347V
Input Power	45.4W	44.9W	46.2W
Input Current	0.38A	0.17A	0.14A
Power Factor	0.996	0.972	0.979
Total Harm. Distortion	6.3%	10.0%	8.0%

Tested values . contact technical support for rated values. Off-state power zero unless certain controls are specified.

