

# Are you ready to jump?

## JUMP CANTILEVER ASYMMETRIC LED



DIRECT ASYMMETRIC, RIBBED MESOOPTICS LENS - SPLASHPERF  
CRI >80 4000K, 3600 lm/4ft

**Project:** \_\_\_\_\_

**Spec Type:** \_\_\_\_\_

**Catalog No:** 1238LAEQS

**Qty** \_\_\_\_\_

**Line Notes:** \_\_\_\_\_



### Ordering guide

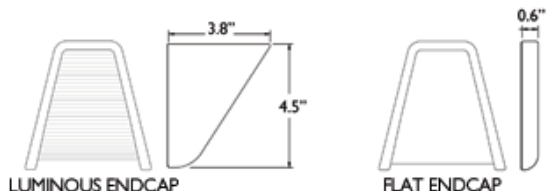
Product Type	Source	Color Temp *	Lumens *	Lower Optics	Upper Optics	Run Length	Wiring †	Voltage	Driver	Finish
<input type="text" value="1238"/>	<input type="text" value="L"/>	<input type="text" value="A"/>	<input type="text" value="E"/>	<input type="text" value="Q"/>	<input type="text" value="S"/>	<input type="text"/>	<input type="text"/>	<input type="text"/>	<input type="text"/>	<input type="text"/>
Jump Asymmetric	L LED	A 4000K B 3500K C 3000K	G 2400 lm/4ft E 3600 lm/4ft	Q MesoOptics Lens	E No Perf P PixelPerf S SplashPerf	04 4' 08 8' XX Total run length (4' increments)	1 1 cct 3 1 cct w/ EM cct 5 1 cct w/ BP 7 1 cct w/ Dimming 8 1 cct w/ TW B 2 cct A/B	1 120V 2 277V 3 347V	E Standard	W Standard White T Titanium Silver B Black X Custom

\* Nominal values within a range. Consult ies file for exact color temp and lumens † Consult website for complete list of standard wiring options

### Mounting Hardware

Mount Type  
Consult separate mounting spec sheet for mount type options

Endcaps -



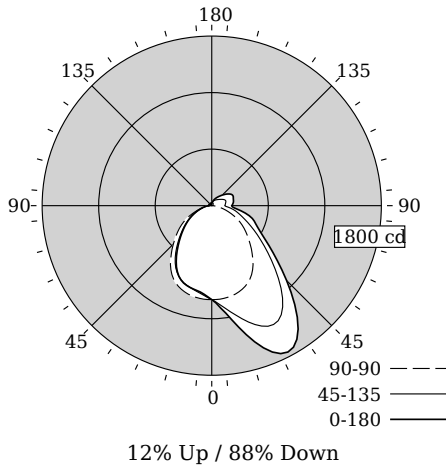
**Integrated Controls** Please indicate with check mark.

No Options Available



### DIRECT ASYMMETRIC, RIBBED MESOOPTICS LENS - SPLASHPERF

#### Photometry



Total Output	3523 lm
Efficacy	77.6 lm/W
CCT	4037K
CRI	82
R9	18
Distribution	12% Up / 88% Down
Spacing Criteria (0/90/180°)	1.83/1.25/1.13

Values per 4ft unit

Fixture photometry has been conducted by an NVLAP accredited testing laboratory in accordance with IESNA LM-79:2008

Lumen maintenance of the LEDs has been tested by the manufacturer in accordance with IESNA LM-80:2008

IES files for this and other photometric options can be downloaded online at [www.lightingproducts.philips.com](http://www.lightingproducts.philips.com)

#### Candela Distribution

Vertical Angle	Horizontal Angle					Zonal Lumens
	0	45	90	135	180	
0	997	997	997	997	997	0
5	1091	1059	996	956	943	97
15	1418	1243	971	898	898	303
25	1733	1412	905	828	826	507
35	1598	1312	764	676	653	601
45	1124	952	576	488	469	543
55	744	633	419	338	329	432
65	536	421	264	212	211	316
75	412	285	122	109	119	207
85	233	173	28	45	57	109
90	212	138	0	20	31	0
95	225	144	0	20	31	80
105	238	155	3	21	31	84
115	249	149	7	21	30	79
125	216	116	15	21	29	63
135	159	92	21	19	26	44
145	112	75	27	17	23	29
155	78	59	31	15	19	18
165	52	46	31	17	14	9
175	35	34	30	26	23	3
180	30	30	30	30	30	0

#### Coefficients of Utilization (%)

RCR	Ceiling:		80				70				50	
	Wall:	70	50	30	10	70	50	30	50	30	10	
0		116	116	116	116	112	112	112	105	105	105	
1		106	101	97	93	102	98	94	91	88	85	
2		97	88	82	76	93	86	79	80	75	71	
3		88	78	70	64	85	76	68	71	65	60	
4		81	69	61	54	78	67	59	63	57	51	
5		75	62	53	47	72	60	52	57	50	45	
6		69	56	47	41	66	54	46	51	44	39	
7		64	51	42	36	61	49	41	47	40	35	
8		59	46	38	32	57	45	37	43	36	31	
9		56	42	34	29	54	41	34	39	33	28	
10		52	39	31	26	50	38	31	36	30	25	

#### Avg. Luminance (cd/m2)

Vertical Angle	Horizontal Angle		
	0	90	180
55	6336	5828	2800
65	5115	4853	2016
75	4633	3448	1334
85	3311	1862	813

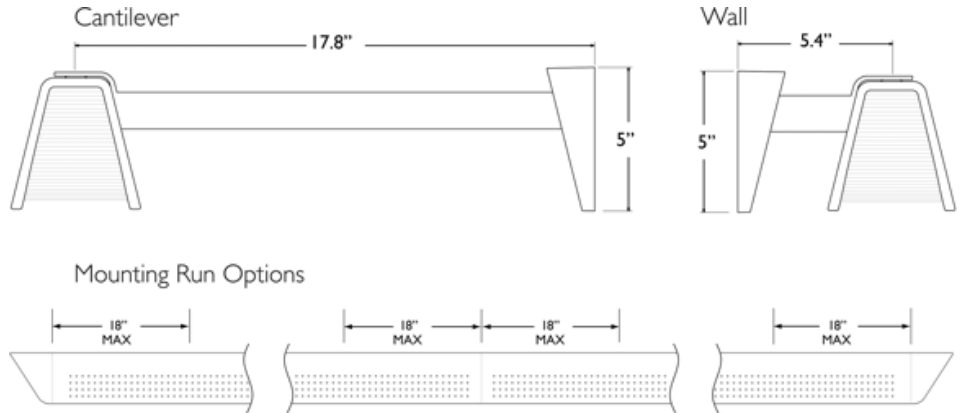
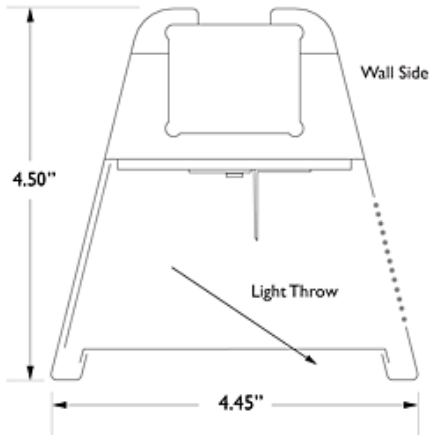
#### Electrical Specifications

Input Voltage	120V
Input Power	45.4W
Input Current	0.4A
Power Factor	0.991
Tested values – contact technical support for rated values. Off-state power zero unless certain controls are specified.	

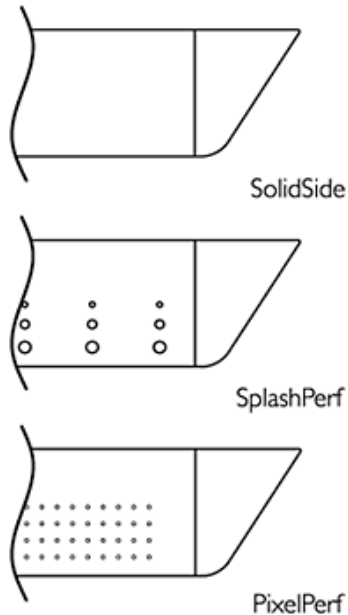
# JUMP CANTILEVER ASYMMETRIC LED

DIRECT ASYMMETRIC, RIBBED MESOOPTICS LENS - SPLASHPERF

## Options and Details



## Optics & Styles



### Housing

20 gauge cold-rolled steel precision formed and welded with optional perforated patterns.

### Weight

Maximum 3.5lb/ft.

### Optical System

White light emitted from the LED sources passes through a biconvex lens where it is internally reflected and laterally refocused. Light is then redirected by Miro Silver reflectors and exits through the optical lens assembly. The optical lens assembly consists of an acrylic extrusion with a ribbed profile holding a layer of MesoOptics film. MesoOptics homogenizes the light and color to ensure consistency while controlling high angle glare and creating an optical batwing distribution.

### Standard Driver

Dimming: 0-10V, 5-100%. Output is Class 2 rated.

### Lumen Maintenance

At an ambient temperature of 25°C, the LED lumen maintenance expectation is  $L_{80}(12k) > 60,000$  hrs.

### Mounting

Variable position mounts are supplied for each joint and end. The mounts can be installed up to 18" from joints and end locations. Tamper-resistant aircraft cable grippers provide infinite vertical adjustment capability. Aircraft cable, crimp and cable gripper are independently tested to meet stringent safety requirements.

### Joints

Self-aligning joining system with hands-free pre-joining wire access.

### Endcaps

Endcaps are diecast aluminum, available in luminous sculpted (standard) or flat (optional).

### Electrical

Factory pre-wired to section ends with quick-wire connectors.

### Approvals

Certified to UL, CSA and IES standards.

### Finish

High quality powder coated, available in matte white, black or titanium silver. Other factory and custom colors available on request.

### Environment

Rated for dry or damp locations in operating ambient temperatures 0-40°C (32-104°F). Certain luminaire components may be adversely affected by contaminants. Damage caused by sulfur, chlorine, petroleum based solutions or other contaminants are not covered under warranty.

Due to continuing product improvements, Philips Ledalite reserves the right to change the specifications without notice.



©2014 Koninklijke Philips N.V. All rights reserved.  
Specifications are subject to change without notice.  
[www.philips.com/luminaires](http://www.philips.com/luminaires)

1238LAEQS.pdf 02.15 page 3 of 3

Philips Lighting  
North America Corporation  
200 Franklin Square Drive  
Somerset, NJ 08873  
Phone: 855-486-2216

Philips Lighting Company  
281 Hillmount Road  
Markham ON, Canada L6C 2S3  
Phone: 800-668-9008