

# Are you ready to jump?

## JUMP CANTILEVER ASYMMETRIC LED



DIRECT ASYMMETRIC, RIBBED MESOOPTICS LENS - SPLASHPERF  
CRI >80 4000K, 2400 lm/4ft

**Project:** \_\_\_\_\_

**Spec Type:** \_\_\_\_\_

**Catalog No:** 1238LAGQS

**Qty** \_\_\_\_\_

**Line Notes:** \_\_\_\_\_



### Ordering guide

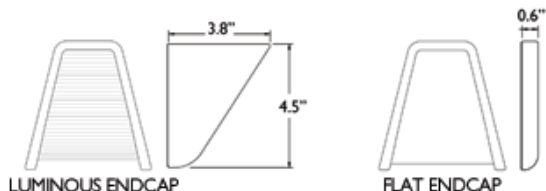
Product Type	Source	Color Temp *	Lumens *	Lower Optics	Upper Optics	Run Length	Wiring †	Voltage	Driver	Finish
<input type="text" value="1238"/>	<input type="text" value="L"/>	<input type="text" value="A"/>	<input type="text" value="G"/>	<input type="text" value="Q"/>	<input type="text" value="S"/>	<input type="text"/>	<input type="text"/>	<input type="text"/>	<input type="text"/>	<input type="text"/>
Jump Asymmetric	L LED	A 4000K B 3500K C 3000K	G 2400 lm/4ft E 3600 lm/4ft	Q MesoOptics Lens	E No Perf P PixelPerf S SplashPerf	04 4' 08 8' XX Total run length (4' increments)	1 1 cct 3 1 cct w/ EM cct 5 1 cct w/ BP 7 1 cct w/ Dimming 8 1 cct w/ TW B 2 cct A/B	1 120V 2 277V 3 347V	E Standard	W Standard White T Titanium Silver B Black X Custom

\* Nominal values within a range. Consult ies file for exact color temp and lumens † Consult website for complete list of standard wiring options

### Mounting Hardware

Mount Type  
Consult separate mounting spec sheet for mount type options

Endcaps -



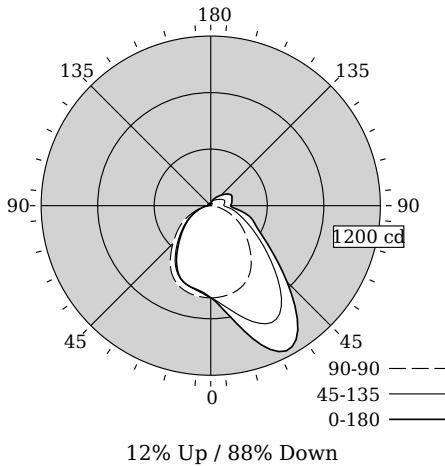
**Integrated Controls** Please indicate with check mark.

No Options Available



## DIRECT ASYMMETRIC, RIBBED MESOOPTICS LENS - SPLASHPERF

### Photometry



Total Output	2323 lm
Efficacy	83.0 lm/W
CCT	4018K
CRI	82
R9	17
Distribution	12% Up / 88% Down
Spacing Criteria (0/90/180°)	1.86/1.25/1.12

Values per 4ft unit

Fixture photometry has been conducted by an NVLAP accredited testing laboratory in accordance with IESNA LM-79:2008

Lumen maintenance of the LEDs has been tested by the manufacturer in accordance with IESNA LM-80:2008

IES files for this and other photometric options can be downloaded online at [www.lightingproducts.philips.com](http://www.lightingproducts.philips.com)

### Candela Distribution

Vertical Angle	Horizontal Angle				Zonal Lumens
	0	45	90	135	
0	652	652	652	652	0
5	708	688	650	625	63
15	919	807	634	590	198
25	1140	922	591	541	332
35	1074	870	500	438	396
45	764	638	378	316	299
55	504	425	275	218	210
65	359	283	174	137	136
75	280	191	80	69	76
85	157	118	18	28	34
90	141	93	0	13	21
95	147	94	0	13	21
105	155	102	2	13	21
115	165	99	5	14	21
125	144	78	9	13	19
135	106	61	13	12	18
145	75	50	17	11	14
155	52	39	20	9	12
165	35	30	21	10	9
175	24	23	20	17	14
180	20	20	20	20	0

### Coefficients of Utilization (%)

RCR	Ceiling:		80				70				50	
	Wall:	70	50	30	10	70	50	30	50	30	10	
0	116	116	116	116	112	112	112	105	105	105	105	
1	106	101	97	93	102	98	94	91	88	85	85	
2	96	88	82	76	93	85	79	80	75	71	71	
3	88	78	70	64	85	75	68	71	65	60	60	
4	81	69	61	54	78	67	59	63	56	51	51	
5	74	62	53	47	72	60	52	57	50	44	44	
6	69	56	47	41	66	54	46	51	44	39	39	
7	64	51	42	36	61	49	41	47	40	35	35	
8	59	46	38	32	57	45	37	43	36	31	31	
9	55	42	34	29	53	41	34	39	33	28	28	
10	52	39	31	26	50	38	31	36	30	25	25	

### Avg. Luminance (cd/m2)

Vertical Angle	Horizontal Angle		
	0	90	180
55	4295	3828	1790
65	3430	3195	1295
75	3155	2258	850
85	2236	1167	485

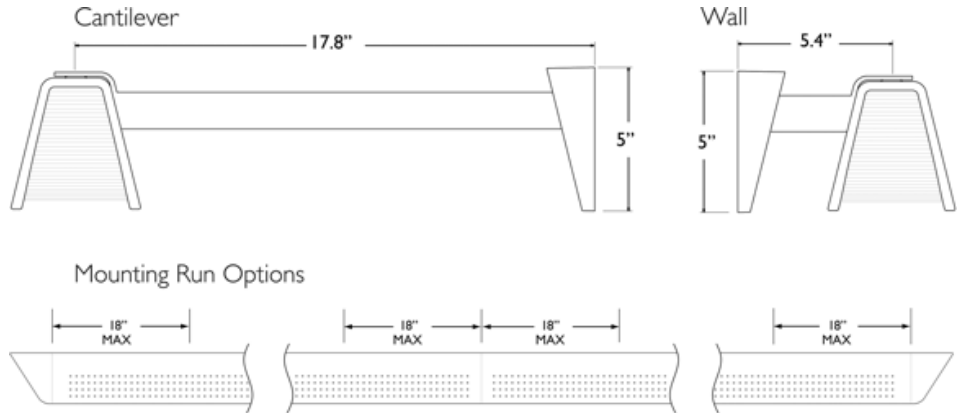
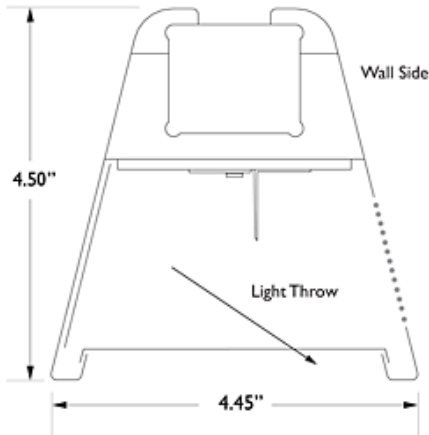
### Electrical Specifications

Input Voltage	120V
Input Power	28W
Input Current	0.2A
Power Factor	0.981
Tested values – contact technical support for rated values. Off-state power zero unless certain controls are specified.	

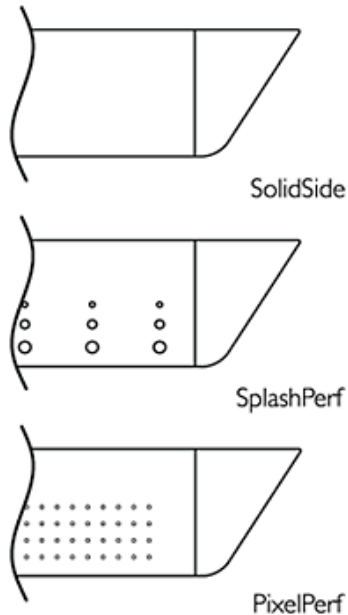
# JUMP CANTILEVER ASYMMETRIC LED

DIRECT ASYMMETRIC, RIBBED MESOOPTICS LENS - SPLASHPERF

## Options and Details



## Optics & Styles



### Housing

20 gauge cold-rolled steel precision formed and welded with optional perforated patterns.

### Weight

Maximum 3.5lb/ft.

### Optical System

White light emitted from the LED sources passes through a biconvex lens where it is internally reflected and laterally refocused. Light is then redirected by Miro Silver reflectors and exits through the optical lens assembly. The optical lens assembly consists of an acrylic extrusion with a ribbed profile holding a layer of MesoOptics film. MesoOptics homogenizes the light and color to ensure consistency while controlling high angle glare and creating an optical batwing distribution.

### Standard Driver

Dimming: 0-10V, 5-100%. Output is Class 2 rated.

### Lumen Maintenance

At an ambient temperature of 25°C, the LED lumen maintenance expectation is  $L_{80}(12k) > 60,000$  hrs.

### Mounting

Variable position mounts are supplied for each joint and end. The mounts can be installed up to 18" from joints and end locations. Tamper-resistant aircraft cable grippers provide infinite vertical adjustment capability. Aircraft cable, crimp and cable gripper are independently tested to meet stringent safety requirements.

### Joints

Self-aligning joining system with hands-free pre-joining wire access.

### Endcaps

Endcaps are diecast aluminum, available in luminous sculpted (standard) or flat (optional).

### Electrical

Factory pre-wired to section ends with quick-wire connectors.

### Approvals

Certified to UL, CSA and IES standards.

### Finish

High quality powder coated, available in matte white, black or titanium silver. Other factory and custom colors available on request.

### Environment

Rated for dry or damp locations in operating ambient temperatures 0-40°C (32-104°F). Certain luminaire components may be adversely affected by contaminants. Damage caused by sulfur, chlorine, petroleum based solutions or other contaminants are not covered under warranty.

Due to continuing product improvements, Philips Ledalite reserves the right to change the specifications without notice.



©2014 Koninklijke Philips N.V. All rights reserved.  
Specifications are subject to change without notice.  
[www.philips.com/luminaires](http://www.philips.com/luminaires)

1238LAGQS.pdf 02.15 page 3 of 3

Philips Lighting  
North America Corporation  
200 Franklin Square Drive  
Somerset, NJ 08873  
Phone: 855-486-2216

Philips Lighting Company  
281 Hillmount Road  
Markham ON, Canada L6C 2S3  
Phone: 800-668-9008