

Are you ready to jump?

JUMP CANTILEVER ASYMMETRIC LED



DIRECT ASYMMETRIC, RIBBED MESOOPTICS LENS - SOLIDSIDE
CRI >80 4000K, 2400 lm/4ft

Project: _____

Spec Type: _____

Catalog No: 1238LAGQE

Qty _____

Line Notes: _____



Ordering guide

Product Type	Source	Color Temp *	Lumens *	Lower Optics	Upper Optics	Run Length	Wiring †	Voltage	Driver	Finish
<input type="text" value="1238"/>	<input type="text" value="L"/>	<input type="text" value="A"/>	<input type="text" value="G"/>	<input type="text" value="Q"/>	<input type="text" value="E"/>	<input type="text"/>	<input type="text"/>	<input type="text"/>	<input type="text"/>	<input type="text"/>
Jump Asymmetric	L LED	A 4000K B 3500K C 3000K	G 2400 lm/4ft E 3600 lm/4ft	Q MesoOptics Lens	E No Perf P PixelPerf S SplashPerf	04 4' 08 8' XX Total run length (4' increments)	1 1 cct 3 1 cct w/ EM cct 5 1 cct w/ BP 7 1 cct w/ Dimming 8 1 cct w/ TW B 2 cct A/B	1 120V 2 277V 3 347V	E Standard	W Standard White T Titanium Silver B Black X Custom

* Nominal values within a range. Consult ies file for exact color temp and lumens † Consult website for complete list of standard wiring options

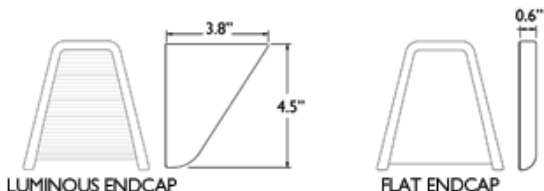
Mounting Hardware

Mount Type
Consult separate mounting spec sheet for mount type options

Endcaps -

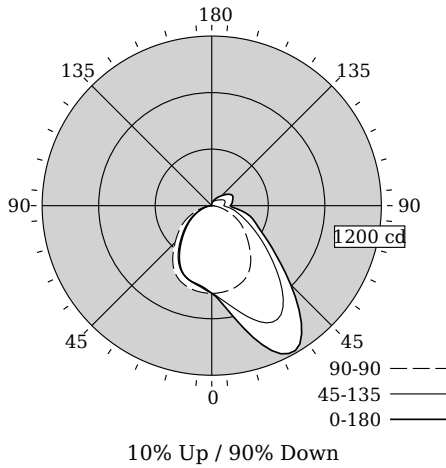
Integrated Controls Please indicate with check mark.

No Options Available



DIRECT ASYMMETRIC, RIBBED MESOOPTICS LENS - SOLIDSIDE

Photometry



Total Output	2223 lm
Efficacy	80.8 lm/W
CCT	4018K
CRI	82
R9	17
Distribution	10% Up / 90% Down
Spacing Criteria (0/90/180°)	1.93/1.26/1.11

Values per 4ft unit

Fixture photometry has been conducted by an NVLAP accredited testing laboratory in accordance with IESNA LM-79:2008

Lumen maintenance of the LEDs has been tested by the manufacturer in accordance with IESNA LM-80:2008

IES files for this and other photometric options can be downloaded online at www.lightingproducts.philips.com

Candela Distribution

Vertical Angle	Horizontal Angle					Zonal Lumens
	0	45	90	135	180	
0	621	621	621	621	621	0
5	678	658	619	594	585	60
15	906	781	604	557	555	190
25	1156	915	566	511	506	323
35	1109	879	481	415	398	392
45	790	649	366	298	283	357
55	522	433	269	205	192	283
65	365	285	172	122	114	204
75	278	187	80	55	52	130
85	153	112	18	14	13	64
90	131	86	0	0	0	0
95	141	89	0	0	0	44
105	153	98	1	0	0	47
115	163	94	3	0	0	44
125	141	72	6	0	0	34
135	101	55	10	0	0	23
145	70	44	13	0	0	14
155	47	35	14	0	0	8
165	31	26	15	2	0	4
175	19	18	15	11	9	1
180	14	14	14	14	14	0

Coefficients of Utilization (%)

RCR	Ceiling:		80				70				
	Wall:	70	50	30	10	70	50	30	50	50	10
0		117	117	117	117	113	113	113	106	106	106
1		106	102	97	93	103	98	95	92	89	86
2		97	89	82	77	93	86	80	81	76	72
3		89	78	70	64	85	76	69	72	66	60
4		81	70	61	55	78	68	60	64	57	52
5		75	62	54	47	72	61	52	57	50	45
6		69	56	47	41	67	55	47	52	45	39
7		64	51	42	36	62	50	42	47	40	35
8		60	46	38	32	58	45	37	43	36	31
9		56	43	35	29	54	42	34	40	33	28
10		52	39	31	26	50	38	31	37	30	25

Avg. Luminance (cd/m²)

Vertical Angle	Horizontal Angle		
	0	90	180
55	4445	3746	1633
65	3488	3151	1089
75	3133	2259	590
85	2180	1204	186

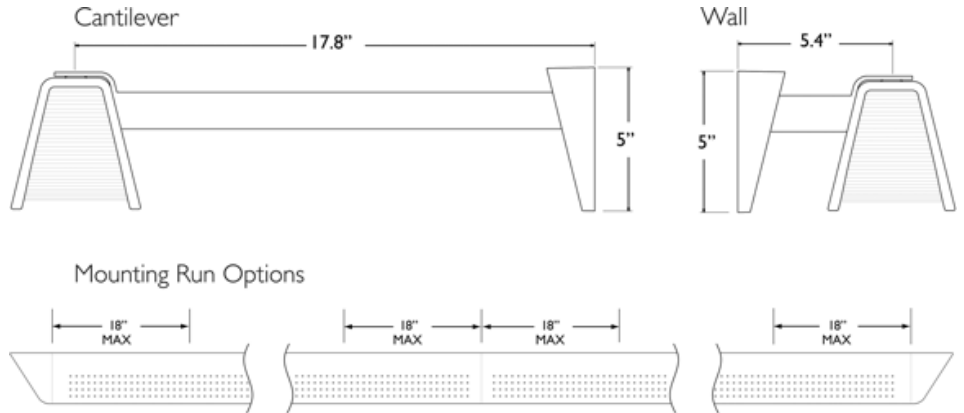
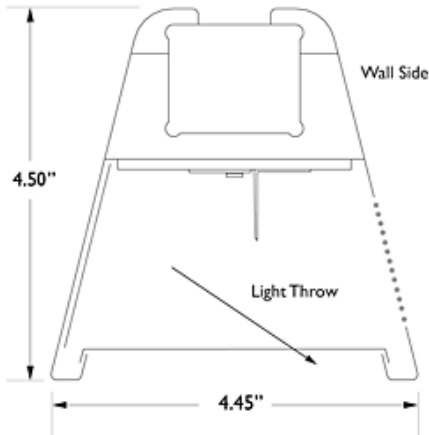
Electrical Specifications

Input Voltage	120V
Input Power	27.5W
Input Current	0.2A
Power Factor	0.981
Tested values – contact technical support for rated values. Off-state power zero unless certain controls are specified.	

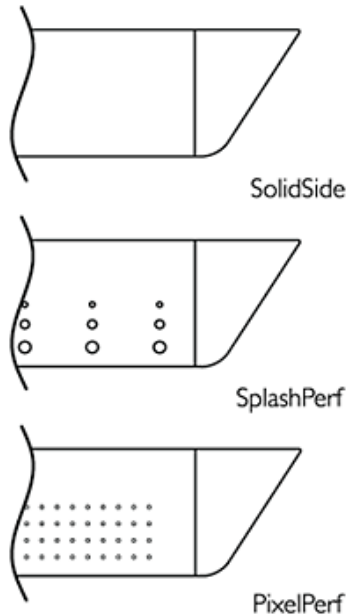
JUMP CANTILEVER ASYMMETRIC LED

DIRECT ASYMMETRIC, RIBBED MESOOPTICS LENS - SOLIDSIDE

Options and Details



Optics & Styles



Housing

20 gauge cold-rolled steel precision formed and welded with optional perforated patterns.

Weight

Maximum 3.5lb/ft.

Optical System

White light emitted from the LED sources passes through a biconvex lens where it is internally reflected and laterally refocused. Light is then redirected by Miro Silver reflectors and exits through the optical lens assembly. The optical lens assembly consists of an acrylic extrusion with a ribbed profile holding a layer of MesoOptics film. MesoOptics homogenizes the light and color to ensure consistency while controlling high angle glare and creating an optical batwing distribution.

Standard Driver

Dimming: 0-10V, 5-100%. Output is Class 2 rated.

Lumen Maintenance

At an ambient temperature of 25°C, the LED lumen maintenance expectation is $L_{80}(12k) > 60,000$ hrs.

Mounting

Variable position mounts are supplied for each joint and end. The mounts can be installed up to 18" from joints and end locations. Tamper-resistant aircraft cable grippers provide infinite vertical adjustment capability. Aircraft cable, crimp and cable gripper are independently tested to meet stringent safety requirements.

Joints

Self-aligning joining system with hands-free pre-joining wire access.

Endcaps

Endcaps are diecast aluminum, available in luminous sculpted (standard) or flat (optional).

Electrical

Factory pre-wired to section ends with quick-wire connectors.

Approvals

Certified to UL, CSA and IES standards.

Finish

High quality powder coated, available in matte white, black or titanium silver. Other factory and custom colors available on request.

Environment

Rated for dry or damp locations in operating ambient temperatures 0-40°C (32-104°F). Certain luminaire components may be adversely affected by contaminants. Damage caused by sulfur, chlorine, petroleum based solutions or other contaminants are not covered under warranty.

Due to continuing product improvements, Philips Ledalite reserves the right to change the specifications without notice.



©2014 Koninklijke Philips N.V. All rights reserved.
Specifications are subject to change without notice.
www.philips.com/luminaires

1238LAGQE.pdf 02.15 page 3 of 3

Philips Lighting
North America Corporation
200 Franklin Square Drive
Somerset, NJ 08873
Phone: 855-486-2216

Philips Lighting Company
281 Hillmount Road
Markham ON, Canada L6C 2S3
Phone: 800-668-9008