

# Are you ready to jump?

## JUMP CANTILEVER ASYMMETRIC LED



DIRECT ASYMMETRIC, RIBBED MESOOPTICS LENS - SOLIDSIDE  
CRI >80 3500K, 3600 lm/4ft

**Project:** \_\_\_\_\_

**Spec Type:** \_\_\_\_\_

**Catalog No:** 1238LBEQE

**Qty** \_\_\_\_\_

**Line Notes:** \_\_\_\_\_



### Ordering guide

Product Type	Source	Color Temp *	Lumens *	Lower Optics	Upper Optics	Run Length	Wiring †	Voltage	Driver	Finish
<input type="text" value="1238"/>	<input type="text" value="L"/>	<input type="text" value="B"/>	<input type="text" value="E"/>	<input type="text" value="Q"/>	<input type="text" value="E"/>	<input type="text"/>	<input type="text"/>	<input type="text"/>	<input type="text"/>	<input type="text"/>
Jump Asymmetric	L LED	A 4000K B 3500K C 3000K	G 2400 lm/4ft E 3600 lm/4ft	Q MesoOptics Lens	E No Perf P PixelPerf S SplashPerf	04 4' 08 8' XX Total run length (4' increments)	1 1 cct 3 1 cct w/ EM cct 5 1 cct w/ BP 7 1 cct w/ Dimming 8 1 cct w/ TW B 2 cct A/B	1 120V 2 277V 3 347V	E Standard	W Standard White T Titanium Silver B Black X Custom

\* Nominal values within a range. Consult ies file for exact color temp and lumens † Consult website for complete list of standard wiring options

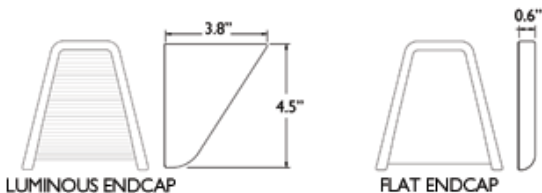
### Mounting Hardware

Mount Type  
Consult separate mounting spec sheet for mount type options

Endcaps -

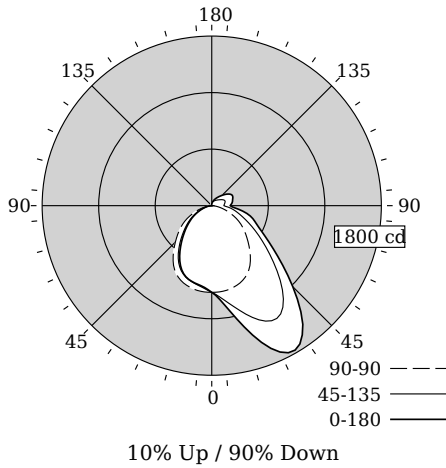
**Integrated Controls** Please indicate with check mark.

No Options Available



## DIRECT ASYMMETRIC, RIBBED MESOOPTICS LENS - SOLIDSIDE

### Photometry



Total Output	3332 lm
Efficacy	74.0 lm/W
CCT	3494K
CRI	84
R9	22
Distribution	10% Up / 90% Down
Spacing Criteria (0/90/180°)	1.95/1.26/1.12

Values per 4ft unit

Fixture photometry has been conducted by an NVLAP accredited testing laboratory in accordance with IESNA LM-79:2008

Lumen maintenance of the LEDs has been tested by the manufacturer in accordance with IESNA LM-80:2008

IES files for this and other photometric options can be downloaded online at [www.lightingproducts.philips.com](http://www.lightingproducts.philips.com)

### Candela Distribution

Vertical Angle	Horizontal Angle					Zonal Lumens
	0	45	90	135	180	
0	920	920	920	920	920	0
5	1002	973	919	883	872	89
15	1333	1152	896	834	830	282
25	1714	1352	839	764	753	480
35	1675	1316	715	619	588	586
45	1217	981	546	443	416	537
55	796	656	401	302	280	425
65	554	432	255	179	166	306
75	423	284	119	79	76	195
85	239	173	28	20	15	98
90	197	129	0	0	0	0
95	210	133	0	0	0	66
105	229	146	1	0	0	70
115	244	142	4	0	0	67
125	215	110	10	0	0	52
135	155	85	16	0	0	35
145	107	68	21	0	0	22
155	73	54	23	0	0	13
165	48	40	23	5	0	7
175	29	27	22	16	13	2
180	22	22	22	22	22	0

### Coefficients of Utilization (%)

RCR	Ceiling: Wall:		80				70				50	
	70	50	30	10	70	50	30	50	30	10		
0	117	117	117	117	113	113	113	106	106	106	106	
1	106	102	97	93	103	98	94	92	89	86	86	
2	97	89	82	76	93	86	80	81	76	72	72	
3	89	78	70	64	85	76	69	72	65	60	60	
4	81	69	61	54	78	68	60	64	57	52	52	
5	75	62	53	47	72	60	52	57	50	45	45	
6	69	56	47	41	66	55	46	52	45	39	39	
7	64	51	42	36	62	49	41	47	40	35	35	
8	60	46	38	32	57	45	37	43	36	31	31	
9	56	42	34	29	54	41	34	40	33	28	28	
10	52	39	31	26	50	38	31	37	30	25	25	

### Avg. Luminance (cd/m2)

Vertical Angle	Horizontal Angle		
	0	90	180
55	6782	5576	2386
65	5290	4685	1585
75	4759	3372	855
85	3397	1856	213

**LED lighting facts**  
A Program of the U.S. DOE

Light Output (Lumens) **3332**  
Watts **45**  
Lumens per Watt (Efficacy) **74**

Color Accuracy  
Color Rendering Index (CRI) **84**

Light Color  
Correlated Color Temperature (CCT) **3494 (Bright White)**

Warm White 2700K 3000K Bright White 4500K Daylight 6500K

Warranty\*\* **Yes**

All results, except LED Lumen Maintenance, are according to IESNA LM-79-2008: Approved Method for the Electrical and Photometric Testing of Solid-State Lighting. The U.S. Department of Energy (DOE) verifies product test data and results.

\*\* See [www.lightingfacts.com/products](http://www.lightingfacts.com/products) for details.

Registration Number: F462-3C1A48 (8/9/2013)  
Model Number: 1238LBEQE  
Type: Other

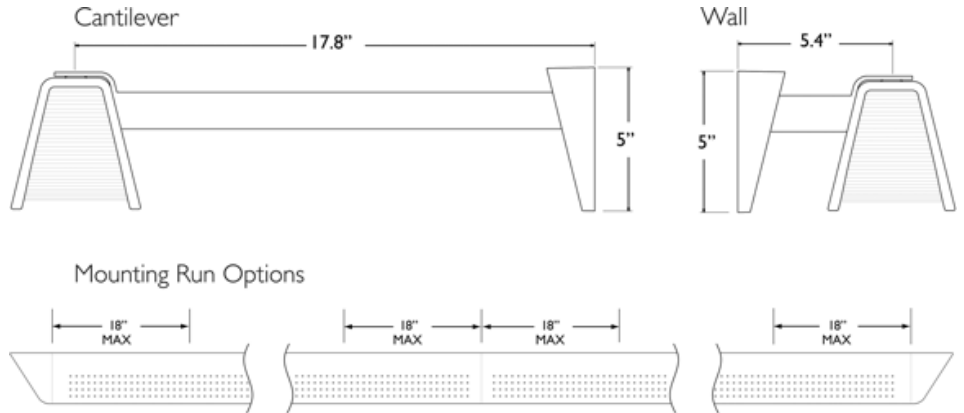
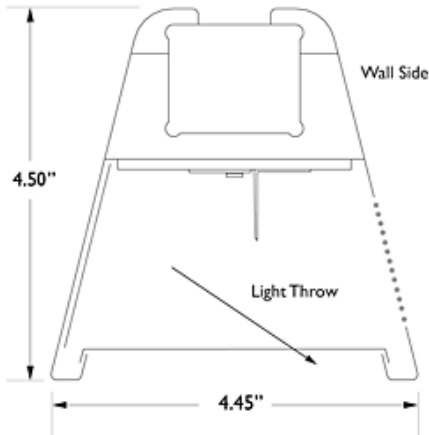
### Electrical Specifications

Input Voltage	120V
Input Power	45W
Input Current	0.4A
Power Factor	0.989
Tested values – contact technical support for rated values. Off-state power zero unless certain controls are specified.	

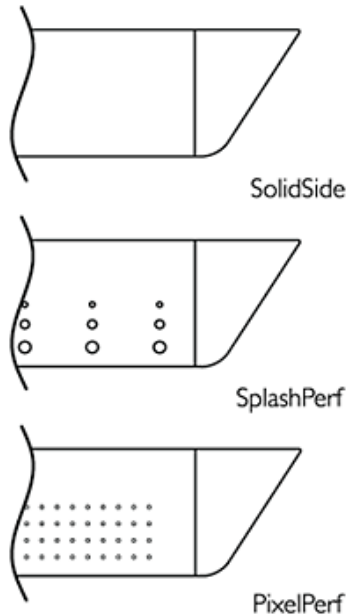
# JUMP CANTILEVER ASYMMETRIC LED

DIRECT ASYMMETRIC, RIBBED MESOOPTICS LENS - SOLIDSIDE

## Options and Details



## Optics & Styles



### Housing

20 gauge cold-rolled steel precision formed and welded with optional perforated patterns.

### Weight

Maximum 3.5lb/ft.

### Optical System

White light emitted from the LED sources passes through a biconvex lens where it is internally reflected and laterally refocused. Light is then redirected by Miro Silver reflectors and exits through the optical lens assembly. The optical lens assembly consists of an acrylic extrusion with a ribbed profile holding a layer of MesoOptics film. MesoOptics homogenizes the light and color to ensure consistency while controlling high angle glare and creating an optical batwing distribution.

### Standard Driver

Dimming: 0-10V, 5-100%. Output is Class 2 rated.

### Lumen Maintenance

At an ambient temperature of 25°C, the LED lumen maintenance expectation is  $L_{80}(12k) > 60,000$  hrs.

### Mounting

Variable position mounts are supplied for each joint and end. The mounts can be installed up to 18" from joints and end locations. Tamper-resistant aircraft cable grippers provide infinite vertical adjustment capability. Aircraft cable, crimp and cable gripper are independently tested to meet stringent safety requirements.

### Joints

Self-aligning joining system with hands-free pre-joining wire access.

### Endcaps

Endcaps are diecast aluminum, available in luminous sculpted (standard) or flat (optional).

### Electrical

Factory pre-wired to section ends with quick-wire connectors.

### Approvals

Certified to UL, CSA and IES standards.

### Finish

High quality powder coated, available in matte white, black or titanium silver. Other factory and custom colors available on request.

### Environment

Rated for dry or damp locations in operating ambient temperatures 0-40°C (32-104°F). Certain luminaire components may be adversely affected by contaminants. Damage caused by sulfur, chlorine, petroleum based solutions or other contaminants are not covered under warranty.

Due to continuing product improvements, Philips Ledalite reserves the right to change the specifications without notice.



©2014 Koninklijke Philips N.V. All rights reserved.  
Specifications are subject to change without notice.  
[www.philips.com/luminaires](http://www.philips.com/luminaires)

1238LBEQE.pdf 02.15 page 3 of 3

Philips Lighting  
North America Corporation  
200 Franklin Square Drive  
Somerset, NJ 08873  
Phone: 855-486-2216

Philips Lighting Company  
281 Hillmount Road  
Markham ON, Canada L6C 2S3  
Phone: 800-668-9008