

# Are you ready to jump?

## JUMP CANTILEVER ASYMMETRIC LED



DIRECT ASYMMETRIC, RIBBED MESOOPTICS LENS -  
PIXELPERF  
CRI >80 3500K, 2400 lm/4ft

**Project:** \_\_\_\_\_

**Spec Type:** \_\_\_\_\_

**Catalog No:** 1238LBGQP

**Qty** \_\_\_\_\_

**Line Notes:** \_\_\_\_\_



### Ordering guide

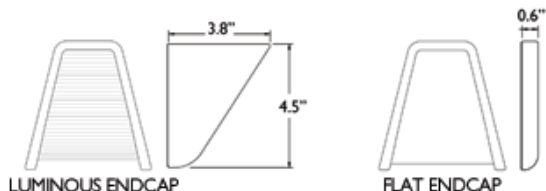
Product Type	Source	Color Temp *	Lumens *	Lower Optics	Upper Optics	Run Length	Wiring †	Voltage	Driver	Finish
<input type="text" value="1238"/>	<input type="text" value="L"/>	<input type="text" value="B"/>	<input type="text" value="G"/>	<input type="text" value="Q"/>	<input type="text" value="P"/>	<input type="text"/>	<input type="text"/>	<input type="text"/>	<input type="text"/>	<input type="text"/>
Jump Asymmetric	L LED	A 4000K B 3500K C 3000K	G 2400 lm/4ft E 3600 lm/4ft	Q MesoOptics Lens	E No Perf P PixelPerf S SplashPerf	04 4' 08 8' XX Total run length (4' increments)	1 1 cct 3 1 cct w/ EM cct 5 1 cct w/ BP 7 1 cct w/ Dimming 8 1 cct w/ TW B 2 cct A/B	1 120V 2 277V 3 347V	E Standard	W Standard White T Titanium Silver B Black X Custom

\* Nominal values within a range. Consult ies file for exact color temp and lumens † Consult website for complete list of standard wiring options

### Mounting Hardware

Mount Type  
Consult separate mounting spec sheet for mount type options

Endcaps -



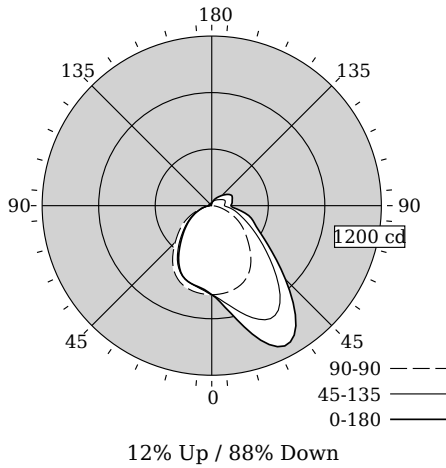
**Integrated Controls** Please indicate with check mark.

No Options Available



## DIRECT ASYMMETRIC, RIBBED MESOOPTICS LENS - PIXELPERF

### Photometry



Total Output	2245 lm
Efficacy	81.3 lm/W
CCT	3487K
CRI	84
R9	22
Distribution	12% Up / 88% Down
Spacing Criteria (0/90/180°)	1.86/1.25/1.12

Values per 4ft unit

Fixture photometry has been conducted by an NVLAP accredited testing laboratory in accordance with IESNA LM-79:2008

Lumen maintenance of the LEDs has been tested by the manufacturer in accordance with IESNA LM-80:2008

IES files for this and other photometric options can be downloaded online at [www.lightingproducts.philips.com](http://www.lightingproducts.philips.com)

### Candela Distribution

Vertical Angle	Horizontal Angle					Zonal Lumens
	0	45	90	135	180	
0	630	630	630	630	630	0
5	684	665	628	604	596	61
15	888	780	613	570	569	191
25	1101	891	571	523	519	320
35	1038	841	483	423	405	382
45	738	616	365	305	289	347
55	487	411	266	211	203	277
65	347	273	168	132	131	202
75	271	185	77	67	73	133
85	152	114	17	27	33	71
90	136	90	0	13	20	0
95	142	91	0	13	20	51
105	150	99	2	13	20	53
115	159	96	5	14	20	51
125	139	75	9	13	18	40
135	102	59	13	12	17	28
145	72	48	16	11	14	19
155	50	38	19	9	12	11
165	34	29	20	10	9	6
175	23	22	19	16	14	2
180	19	19	19	19	19	0

### Coefficients of Utilization (%)

RCR	Ceiling: Wall:		80				70				50	
	70	50	30	10	70	30	50	30	50	30	10	
0	116	116	116	116	112	112	112	105	105	105	105	
1	106	101	97	93	102	98	94	91	88	85	85	
2	96	88	82	76	93	85	79	80	75	71	71	
3	88	78	70	64	85	75	68	71	65	60	60	
4	81	69	61	54	78	67	59	63	56	51	51	
5	74	62	53	47	72	60	52	57	50	44	44	
6	69	56	47	41	66	54	46	51	44	39	39	
7	64	51	42	36	61	49	41	47	40	35	35	
8	59	46	38	32	57	45	37	43	36	31	31	
9	55	42	34	29	53	41	34	39	33	28	28	
10	52	39	31	26	50	38	31	36	30	25	25	

### Avg. Luminance (cd/m2)

Vertical Angle	Horizontal Angle		
	0	90	180
55	4149	3699	1730
65	3314	3087	1251
75	3049	2182	821
85	2160	1127	469

**Lighting facts**  
A Program of the U.S. DOE

**Light Output (Lumens)** 2245  
**Watts** 27.6  
**Lumens per Watt (Efficacy)** 81

**Color Accuracy**  
Color Rendering Index (CRI) 84

**Light Color**  
Correlated Color Temperature (CCT) 3487 (Bright White)

Warm White 2700K 3000K Bright White 4500K Daylight 6500K

**Warranty\*\*** Yes

All results, except LED Lumen Maintenance, are according to IESNA LM-79-2008. Approved Method for the Electrical and Photometric Testing of Solid-State Lighting. The U.S. Department of Energy (DOE) verifies product test data and results.

\*\* See [www.lightingfacts.com/products](http://www.lightingfacts.com/products) for details.

Registration Number: F462-6VK1ZR (8/9/2013)  
Model Number: 1238LBGQx  
Type: Other

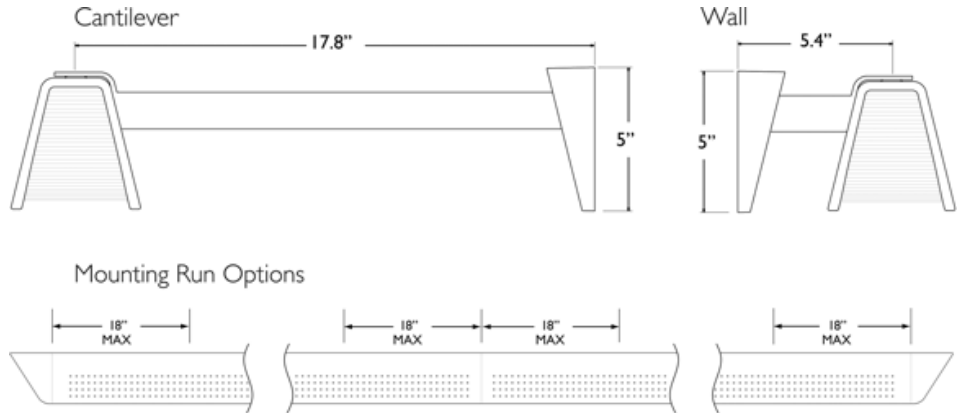
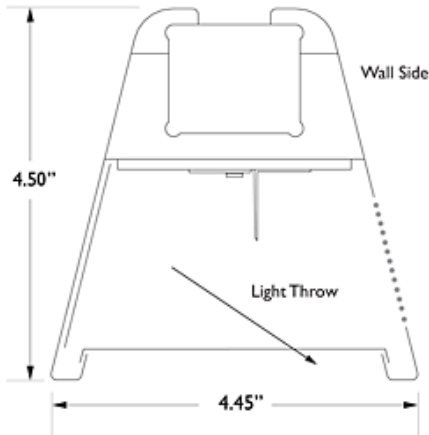
### Electrical Specifications

Input Voltage	120V
Input Power	27.6W
Input Current	0.2A
Power Factor	0.983
Tested values – contact technical support for rated values. Off-state power zero unless certain controls are specified.	

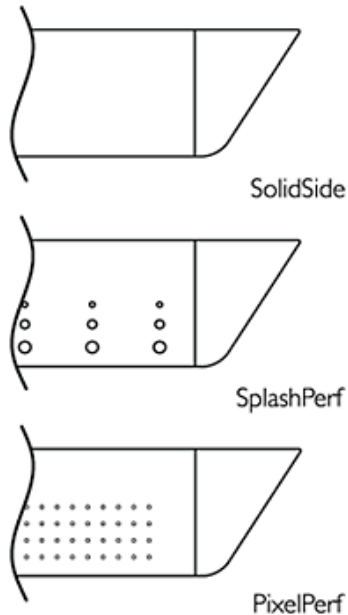
# JUMP CANTILEVER ASYMMETRIC LED

DIRECT ASYMMETRIC, RIBBED MESOOPTICS LENS - PIXELPERF

## Options and Details



## Optics & Styles



### Housing

20 gauge cold-rolled steel precision formed and welded with optical perforated patterns.

### Weight

Maximum 3.5lb/ft.

### Optical System

White light emitted from the LED sources passes through a biconvex lens where it is internally reflected and laterally refocused. Light is then redirected by Miro Silver reflectors and exits through the optical lens assembly. The optical lens assembly consists of an acrylic extrusion with a ribbed profile holding a layer of MesoOptics film. MesoOptics homogenizes the light and color to ensure consistency while controlling high angle glare and creating an optical batwing distribution.

### Standard Driver

Dimming: 0-10V, 5-100%. Output is Class 2 rated.

### Lumen Maintenance

At an ambient temperature of 25°C, the LED lumen maintenance expectation is  $L_{80}(12k) > 60,000$  hrs.

### Mounting

Variable position mounts are supplied for each joint and end. The mounts can be installed up to 18" from joints and end locations. Tamper-resistant aircraft cable grippers provide infinite vertical adjustment capability. Aircraft cable, crimp and cable gripper are independently tested to meet stringent safety requirements.

### Joints

Self-aligning joining system with hands-free pre-joining wire access.

### Endcaps

Endcaps are diecast aluminum, available in luminous sculpted (standard) or flat (optional).

### Electrical

Factory pre-wired to section ends with quick-wire connectors.

### Approvals

Certified to UL, CSA and IES standards.

### Finish

High quality powder coated, available in matte white, black or titanium silver. Other factory and custom colors available on request.

### Environment

Rated for dry or damp locations in operating ambient temperatures 0-40°C (32-104°F). Certain luminaire components may be adversely affected by contaminants. Damage caused by sulfur, chlorine, petroleum based solutions or other contaminants are not covered under warranty.

Due to continuing product improvements, Philips Ledalite reserves the right to change the specifications without notice.



©2014 Koninklijke Philips N.V. All rights reserved.  
Specifications are subject to change without notice.  
[www.philips.com/luminaires](http://www.philips.com/luminaires)

1238LBGQP.pdf 02.15 page 3 of 3

Philips Lighting  
North America Corporation  
200 Franklin Square Drive  
Somerset, NJ 08873  
Phone: 855-486-2216

Philips Lighting Company  
281 Hillmount Road  
Markham ON, Canada L6C 2S3  
Phone: 800-668-9008