

Are you ready to jump?

JUMP CANTILEVER ASYMMETRIC LED



DIRECT ASYMMETRIC, RIBBED MESOOPTICS LENS -
PIXELPERF
CRI >80 3000K, 3600 lm/4ft

Project: _____

Spec Type: _____

Catalog No: 1238LCEQP

Qty _____

Line Notes: _____



Ordering guide

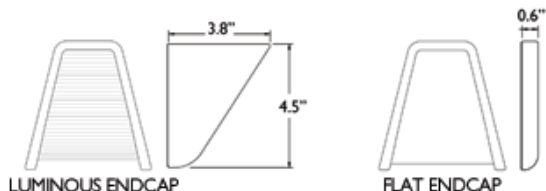
Product Type	Source	Color Temp *	Lumens *	Lower Optics	Upper Optics	Run Length	Wiring †	Voltage	Driver	Finish
<input type="text" value="1238"/>	<input type="text" value="L"/>	<input type="text" value="C"/>	<input type="text" value="E"/>	<input type="text" value="Q"/>	<input type="text" value="P"/>	<input type="text"/>	<input type="text"/>	<input type="text"/>	<input type="text"/>	<input type="text"/>
Jump Asymmetric	L LED	A 4000K B 3500K C 3000K	G 2400 lm/4ft E 3600 lm/4ft	Q MesoOptics Lens	E No Perf P PixelPerf S SplashPerf	04 4' 08 8' XX Total run length (4' increments)	1 1 cct 3 1 cct w/ EM cct 5 1 cct w/ BP 7 1 cct w/ Dimming 8 1 cct w/ TW B 2 cct A/B	1 120V 2 277V 3 347V	E Standard	W Standard White T Titanium Silver B Black X Custom

* Nominal values within a range. Consult ies file for exact color temp and lumens † Consult website for complete list of standard wiring options

Mounting Hardware

Mount Type
Consult separate mounting spec sheet for mount type options

Endcaps -



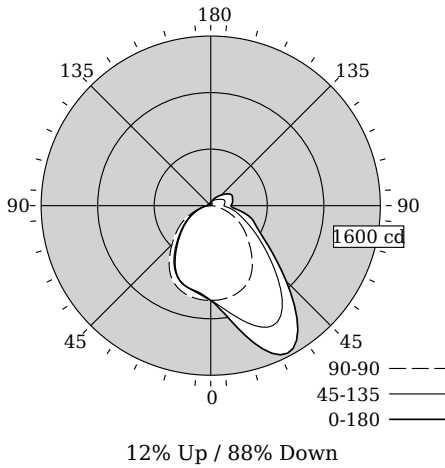
Integrated Controls Please indicate with check mark.

No Options Available



DIRECT ASYMMETRIC, RIBBED MESOOPTICS LENS - PIXELPERF

Photometry



Total Output	3157 lm
Efficacy	69.1 lm/W
CCT	3087K
CRI	82
R9	15
Distribution	12% Up / 88% Down
Spacing Criteria (0/90/180°)	1.83/1.25/1.13

Values per 4ft unit

Fixture photometry has been conducted by an NVLAP accredited testing laboratory in accordance with IESNA LM-79:2008

Lumen maintenance of the LEDs has been tested by the manufacturer in accordance with IESNA LM-80:2008

IES files for this and other photometric options can be downloaded online at www.lightingproducts.philips.com

Candela Distribution

Vertical Angle	Horizontal Angle					Zonal Lumens
	0	45	90	135	180	
0	894	894	894	894	894	0
5	978	949	893	857	845	87
15	1270	1114	870	804	804	272
25	1553	1266	811	742	740	454
35	1432	1176	685	606	585	539
45	1007	853	516	437	420	486
55	666	568	376	303	295	387
65	480	377	237	190	189	284
75	369	255	109	98	106	186
85	209	155	25	40	51	98
90	190	124	0	18	28	0
95	201	129	0	18	28	72
105	213	139	3	19	28	75
115	223	133	7	19	27	71
125	194	104	13	19	26	56
135	143	82	19	17	23	39
145	101	67	24	15	21	26
155	70	53	28	13	17	16
165	47	41	28	15	12	8
175	32	31	27	23	21	3
180	27	27	27	27	27	0

Coefficients of Utilization (%)

RCR	Ceiling:		80				70				50	
	Wall:	70	50	30	10	70	50	30	50	30	10	
0		116	116	116	116	112	112	112	105	105	105	
1		106	101	97	93	102	98	94	91	88	85	
2		97	88	82	76	93	86	79	80	75	71	
3		88	78	70	64	85	76	68	71	65	60	
4		81	69	61	54	78	67	59	63	57	51	
5		75	62	53	47	72	60	52	57	50	45	
6		69	56	47	41	66	54	46	51	44	39	
7		64	51	42	36	61	49	41	47	40	35	
8		59	46	38	32	57	45	37	43	36	31	
9		56	42	34	29	54	41	34	39	33	28	
10		52	39	31	26	50	38	31	36	30	25	

Avg. Luminance (cd/m²)

Vertical Angle	Horizontal Angle		
	0	90	180
55	5678	5223	2509
65	4583	4349	1807
75	4152	3090	1195
85	2967	1668	729

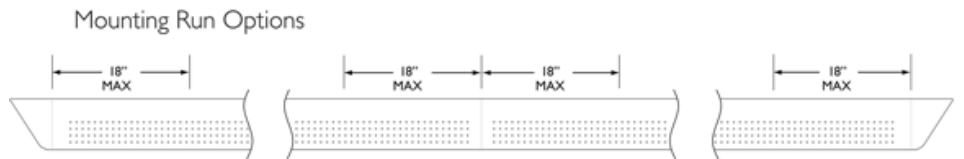
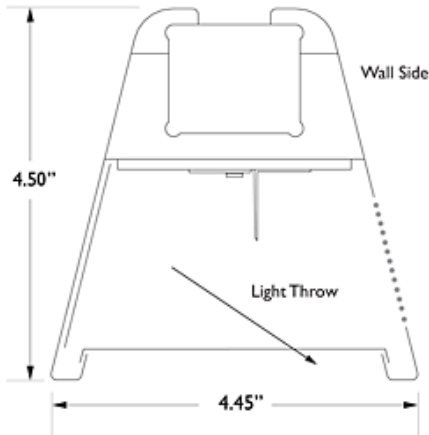
Electrical Specifications

Input Voltage	120V
Input Power	45.7W
Input Current	0.4A
Power Factor	0.99
Tested values – contact technical support for rated values. Off-state power zero unless certain controls are specified.	

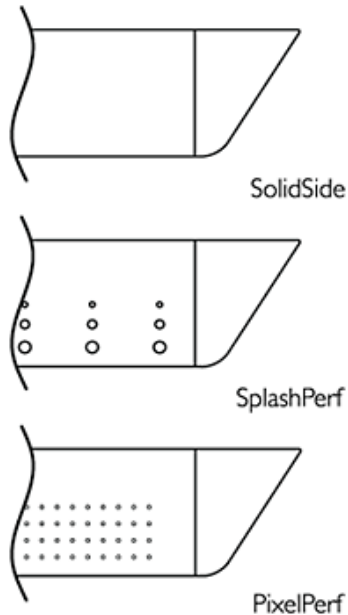
JUMP CANTILEVER ASYMMETRIC LED

DIRECT ASYMMETRIC, RIBBED MESOOPTICS LENS - PIXELPERF

Options and Details



Optics & Styles



Housing

20 gauge cold-rolled steel precision formed and welded with optional perforated patterns.

Weight

Maximum 3.5lb/ft.

Optical System

White light emitted from the LED sources passes through a biconvex lens where it is internally reflected and laterally refocused. Light is then redirected by Miro Silver reflectors and exits through the optical lens assembly. The optical lens assembly consists of an acrylic extrusion with a ribbed profile holding a layer of MesoOptics film. MesoOptics homogenizes the light and color to ensure consistency while controlling high angle glare and creating an optical batwing distribution.

Standard Driver

Dimming: 0-10V, 5-100%. Output is Class 2 rated.

Lumen Maintenance

At an ambient temperature of 25°C, the LED lumen maintenance expectation is $L_{80}(12k) > 60,000$ hrs.

Mounting

Variable position mounts are supplied for each joint and end. The mounts can be installed up to 18" from joints and end locations. Tamper-resistant aircraft cable grippers provide infinite vertical adjustment capability. Aircraft cable, crimp and cable gripper are independently tested to meet stringent safety requirements.

Joints

Self-aligning joining system with hands-free pre-joining wire access.

Endcaps

Endcaps are diecast aluminum, available in luminous sculpted (standard) or flat (optional).

Electrical

Factory pre-wired to section ends with quick-wire connectors.

Approvals

Certified to UL, CSA and IES standards.

Finish

High quality powder coated, available in matte white, black or titanium silver. Other factory and custom colors available on request.

Environment

Rated for dry or damp locations in operating ambient temperatures 0-40°C (32-104°F). Certain luminaire components may be adversely affected by contaminants. Damage caused by sulfur, chlorine, petroleum based solutions or other contaminants are not covered under warranty.

Due to continuing product improvements, Philips Ledalite reserves the right to change the specifications without notice.



©2014 Koninklijke Philips N.V. All rights reserved.
Specifications are subject to change without notice.
www.philips.com/luminaires

1238LCEQP.pdf 02.15 page 3 of 3

Philips Lighting
North America Corporation
200 Franklin Square Drive
Somerset, NJ 08873
Phone: 855-486-2216

Philips Lighting Company
281 Hillmount Road
Markham ON, Canada L6C 2S3
Phone: 800-668-9008