

Are you ready to jump?

JUMP CANTILEVER ASYMMETRIC LED



DIRECT ASYMMETRIC, RIBBED MESOOPTICS LENS - SPLASHPERF
CRI >80 3000K, 2400 lm/4ft

Project: _____

Spec Type: _____

Catalog No: 1238LCGQS

Qty _____

Line Notes: _____



Ordering guide

Product Type	Source	Color Temp *	Lumens *	Lower Optics	Upper Optics	Run Length	Wiring †	Voltage	Driver	Finish
<input type="text" value="1238"/>	<input type="text" value="L"/>	<input type="text" value="C"/>	<input type="text" value="G"/>	<input type="text" value="Q"/>	<input type="text" value="S"/>	<input type="text"/>	<input type="text"/>	<input type="text"/>	<input type="text"/>	<input type="text"/>
Jump Asymmetric	L LED	A 4000K B 3500K C 3000K	G 2400 lm/4ft E 3600 lm/4ft	Q MesoOptics Lens	E No Perf P PixelPerf S SplashPerf	04 4' 08 8' XX Total run length (4' increments)	1 1 cct 3 1 cct w/ EM cct 5 1 cct w/ BP 7 1 cct w/ Dimming 8 1 cct w/ TW B 2 cct A/B	1 120V 2 277V 3 347V	E Standard	W Standard White T Titanium Silver B Black X Custom

* Nominal values within a range. Consult ies file for exact color temp and lumens † Consult website for complete list of standard wiring options

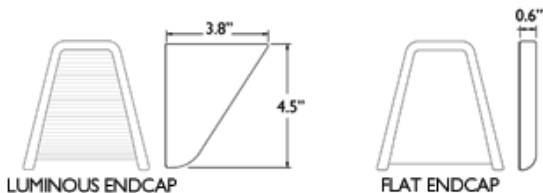
Mounting Hardware

Mount Type
Consult separate mounting spec sheet for mount type options

Endcaps -

Integrated Controls Please indicate with check mark.

No Options Available

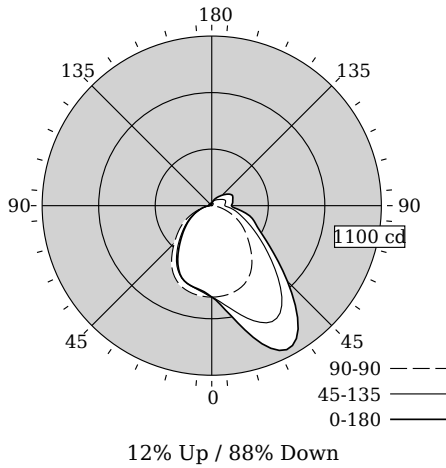


© 2014 Koninklijke Philips N.V. All rights reserved.
Specifications are subject to change without notice.
www.philips.com/luminaires



DIRECT ASYMMETRIC, RIBBED MESOOPTICS LENS - SPLASHPERF

Photometry



Total Output	2112 lm
Efficacy	74.6 lm/W
CCT	3080K
CRI	82
R9	16
Distribution	12% Up / 88% Down
Spacing Criteria (0/90/180°)	1.86/1.25/1.12

Values per 4ft unit

Fixture photometry has been conducted by an NVLAP accredited testing laboratory in accordance with IESNA LM-79:2008

Lumen maintenance of the LEDs has been tested by the manufacturer in accordance with IESNA LM-80:2008

IES files for this and other photometric options can be downloaded online at www.lightingproducts.philips.com

Candela Distribution

Vertical Angle	Horizontal Angle					Zonal Lumens
	0	45	90	135	180	
0	593	593	593	593	593	0
5	644	626	591	568	561	57
15	836	734	577	536	535	180
25	1036	838	537	492	488	301
35	977	791	455	398	381	360
45	694	580	343	287	272	327
55	458	387	250	199	191	260
65	327	257	158	124	123	190
75	255	174	72	63	69	125
85	143	107	16	25	31	67
90	128	85	0	12	19	0
95	134	86	0	12	19	48
105	141	93	2	12	19	50
115	150	90	5	13	19	48
125	131	71	8	12	17	38
135	96	56	12	11	16	26
145	68	45	15	10	13	17
155	47	36	18	8	11	11
165	32	27	19	9	8	5
175	22	21	18	15	13	2
180	18	18	18	18	18	0

Coefficients of Utilization (%)

RCR	Ceiling:		80					70				
	Wall:	70	50	30	10	70	50	30	50	50	10	
0		116	116	116	116	112	112	112	105	105	105	
1		106	101	97	93	102	98	94	91	88	85	
2		96	88	82	76	93	85	79	80	75	71	
3		88	78	70	64	85	75	68	71	65	60	
4		81	69	61	54	78	67	59	63	56	51	
5		74	62	53	47	72	60	52	57	50	44	
6		69	56	47	41	66	54	46	51	44	39	
7		64	51	42	36	61	49	41	47	40	35	
8		59	46	38	32	57	45	37	43	36	31	
9		55	42	34	29	53	41	34	39	33	28	
10		52	39	31	26	50	38	31	36	30	25	

Avg. Luminance (cd/m2)

Vertical Angle	Horizontal Angle		
	0	90	180
55	3905	3481	1628
65	3118	2904	1177
75	2869	2053	773
85	2033	1061	441

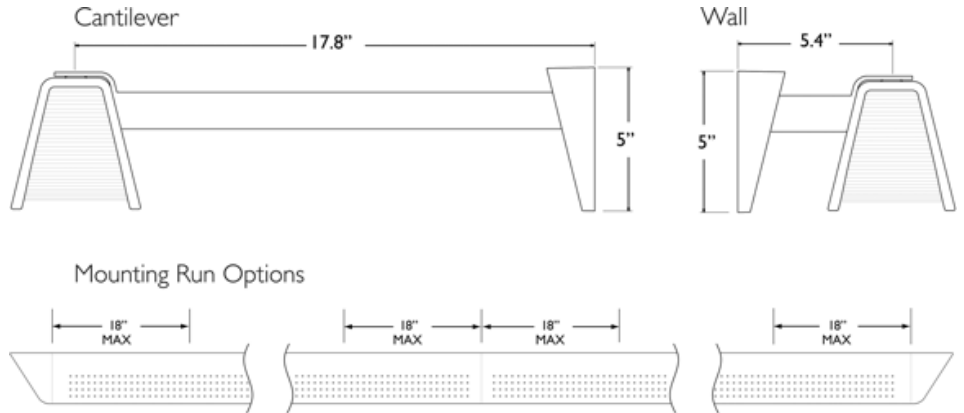
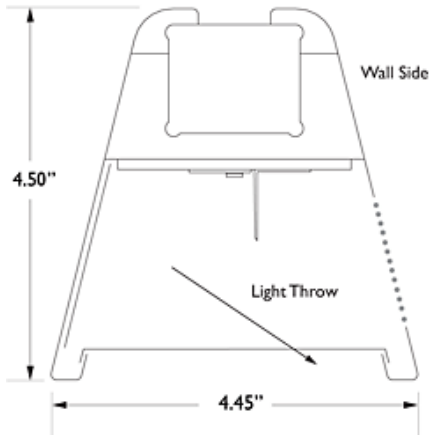
Electrical Specifications

Input Voltage	120V
Input Power	28.3W
Input Current	0.2A
Power Factor	0.983
Tested values – contact technical support for rated values. Off-state power zero unless certain controls are specified.	

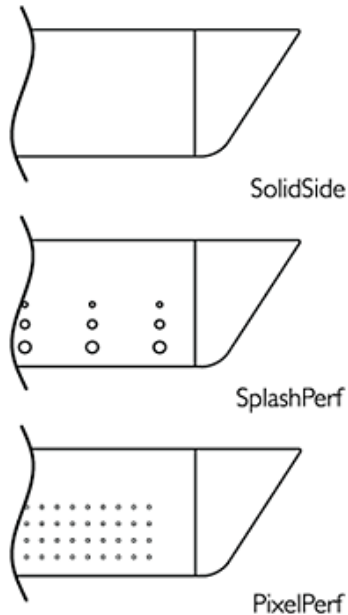
JUMP CANTILEVER ASYMMETRIC LED

DIRECT ASYMMETRIC, RIBBED MESOOPTICS LENS - SPLASHPERF

Options and Details



Optics & Styles



Housing

20 gauge cold-rolled steel precision formed and welded with optional perforated patterns.

Weight

Maximum 3.5lb/ft.

Optical System

White light emitted from the LED sources passes through a biconvex lens where it is internally reflected and laterally refocused. Light is then redirected by Miro Silver reflectors and exits through the optical lens assembly. The optical lens assembly consists of an acrylic extrusion with a ribbed profile holding a layer of MesoOptics film. MesoOptics homogenizes the light and color to ensure consistency while controlling high angle glare and creating an optical batwing distribution.

Standard Driver

Dimming: 0-10V, 5-100%. Output is Class 2 rated.

Lumen Maintenance

At an ambient temperature of 25°C, the LED lumen maintenance expectation is $L_{80}(12k) > 60,000$ hrs.

Mounting

Variable position mounts are supplied for each joint and end. The mounts can be installed up to 18" from joints and end locations. Tamper-resistant aircraft cable grippers provide infinite vertical adjustment capability. Aircraft cable, crimp and cable gripper are independently tested to meet stringent safety requirements.

Joints

Self-aligning joining system with hands-free pre-joining wire access.

Endcaps

Endcaps are diecast aluminum, available in luminous sculpted (standard) or flat (optional).

Electrical

Factory pre-wired to section ends with quick-wire connectors.

Approvals

Certified to UL, CSA and IES standards.

Finish

High quality powder coated, available in matte white, black or titanium silver. Other factory and custom colors available on request.

Environment

Rated for dry or damp locations in operating ambient temperatures 0-40°C (32-104°F). Certain luminaire components may be adversely affected by contaminants. Damage caused by sulfur, chlorine, petroleum based solutions or other contaminants are not covered under warranty.

Due to continuing product improvements, Philips Ledalite reserves the right to change the specifications without notice.



©2014 Koninklijke Philips N.V. All rights reserved.
Specifications are subject to change without notice.
www.philips.com/luminaires

1238LCGQS.pdf 02.15 page 3 of 3

Philips Lighting
North America Corporation
200 Franklin Square Drive
Somerset, NJ 08873
Phone: 855-486-2216

Philips Lighting Company
281 Hillmount Road
Markham ON, Canada L6C 2S3
Phone: 800-668-9008