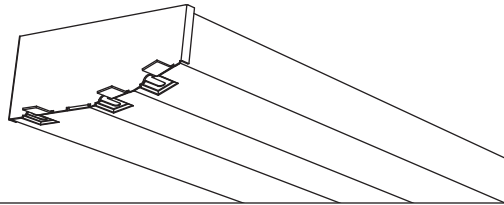


In-Cove II



Cove
Indirect
2 T8



Project Name

Spec Type

Notes

Order Guide

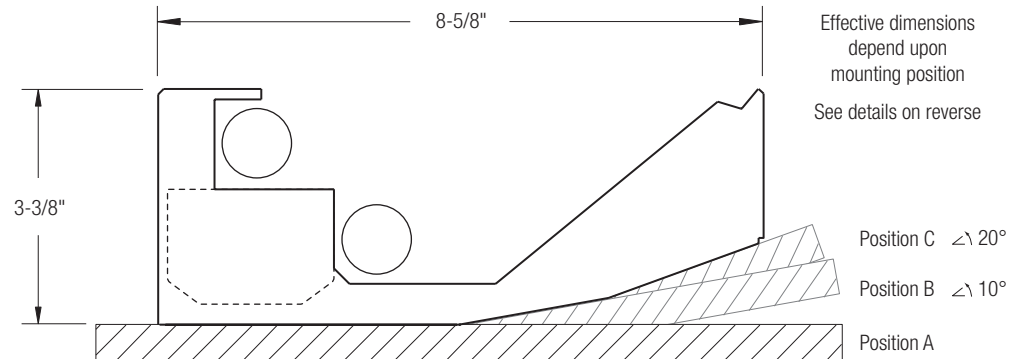
Some combinations of product options may not be available. Consult factory for assistance with your specification.

| 3808 | T02 | | | - | | - | | - | |
|--|-----------------|---------------------------------|------------------------|---|---|---------------------------------------|--|---|--|
| Product Series & Type In-Cove II Indirect | Lamping 2 T8 | Lower Optics E Solid Housing | Upper Optics N None | Run Length <i>Enter the total run length in feet</i> | Wiring 1 1 cct 2 2 cct 3 1 cct w/ Emergency cct 4 2 cct w/ Emergency cct 5 1 cct w/ Battery Pack 6 2 cct w/ Battery Pack 7 1 cct Dimming | Voltage 1 120V 2 277V 3 347V | Ballast E Standard Ballast | Color & Finish W High Reflective White | |
| | | | | See details on reverse | Consult website for complete list of standard wiring options | | Consult website for ballast manufacturer information | | |

Upgrades & Accessories

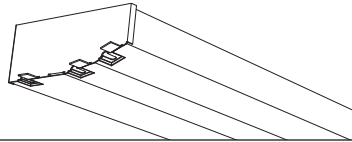
Please indicate with check mark.

| | |
|---|---|
| <input type="checkbox"/> Lamps Included | <input type="checkbox"/> Lamps Included and Installed |
|---|---|



In-Cove II

Cove
Indirect
2 T8



Photometry Optics EN

Report Summary

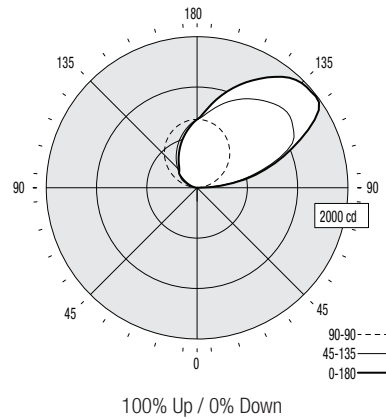
Report # 2100279
Filename 3808T02EN.ies
Efficiency 72.7%

Peak Candela Value* 1986 @ 128°
Peak to Zenith Ratio* 2.2 : 1

* Between 90°-180° vertical angle

Candela Distribution

| Vertical Angle | Horizontal Angle | | | | | Zonal Lumens |
|----------------|------------------|------|-----|------|-----|--------------|
| | 0 | 22.5 | 45 | 67.5 | 90 | |
| 0 | 0 | 0 | 0 | 0 | 0 | 0 |
| 5 | 0 | 0 | 0 | 0 | 0 | 0 |
| 15 | 0 | 0 | 0 | 0 | 0 | 0 |
| 25 | 0 | 0 | 0 | 0 | 0 | 0 |
| 35 | 0 | 0 | 0 | 0 | 0 | 0 |
| 45 | 0 | 0 | 0 | 0 | 0 | 0 |
| 55 | 0 | 0 | 0 | 0 | 0 | 0 |
| 65 | 0 | 0 | 0 | 0 | 0 | 0 |
| 75 | 0 | 0 | 0 | 0 | 0 | 0 |
| 85 | 0 | 0 | 0 | 0 | 0 | 0 |
| 90 | 0 | 0 | 0 | 0 | 0 | 0 |
| 95 | 324 | 300 | 39 | 11 | 5 | 176 |
| 105 | 935 | 877 | 179 | 84 | 66 | 477 |
| 115 | 1510 | 1394 | 330 | 193 | 151 | 700 |
| 125 | 1973 | 1534 | 479 | 273 | 267 | 774 |
| 135 | 1961 | 1532 | 612 | 365 | 333 | 713 |
| 145 | 1792 | 1423 | 725 | 484 | 425 | 591 |
| 155 | 1541 | 1290 | 809 | 612 | 552 | 435 |
| 165 | 1270 | 1126 | 870 | 739 | 693 | 264 |
| 175 | 994 | 954 | 902 | 857 | 837 | 89 |
| 180 | 904 | 904 | 904 | 904 | 904 | 0 |



Coefficients of Utilization (%)

| Ceiling: | 80 | | | | 70 | | | | 50 | | | | 0 | | | |
|----------|----|----|----|----|----|----|----|----|----|----|----|----|----|----|----|----|
| | 70 | 50 | 30 | 10 | 70 | 50 | 30 | 10 | 70 | 50 | 30 | 10 | 70 | 50 | 30 | 10 |
| 0 RCR | 69 | 69 | 69 | 69 | 59 | 59 | 59 | 40 | 40 | 40 | 0 | 0 | 0 | 0 | 0 | 0 |
| 1 | 63 | 60 | 57 | 55 | 53 | 51 | 49 | 35 | 34 | 32 | 0 | 0 | 0 | 0 | 0 | 0 |
| 2 | 57 | 52 | 48 | 45 | 48 | 45 | 41 | 30 | 28 | 27 | 0 | 0 | 0 | 0 | 0 | 0 |
| 3 | 52 | 46 | 41 | 37 | 44 | 39 | 35 | 27 | 24 | 22 | 0 | 0 | 0 | 0 | 0 | 0 |
| 4 | 47 | 40 | 35 | 31 | 40 | 34 | 30 | 23 | 21 | 19 | 0 | 0 | 0 | 0 | 0 | 0 |
| 5 | 43 | 35 | 30 | 26 | 37 | 30 | 26 | 21 | 18 | 16 | 0 | 0 | 0 | 0 | 0 | 0 |
| 6 | 39 | 31 | 26 | 22 | 33 | 27 | 23 | 18 | 16 | 13 | 0 | 0 | 0 | 0 | 0 | 0 |
| 7 | 36 | 28 | 23 | 19 | 31 | 24 | 20 | 17 | 14 | 12 | 0 | 0 | 0 | 0 | 0 | 0 |
| 8 | 33 | 25 | 20 | 17 | 28 | 22 | 17 | 15 | 12 | 10 | 0 | 0 | 0 | 0 | 0 | 0 |
| 9 | 31 | 23 | 18 | 14 | 26 | 20 | 15 | 13 | 11 | 9 | 0 | 0 | 0 | 0 | 0 | 0 |
| 10 | 29 | 21 | 16 | 13 | 24 | 18 | 14 | 12 | 9 | 8 | 0 | 0 | 0 | 0 | 0 | 0 |

Based on a floor reflectance of 0.2

Avg. Luminance (cd/m²)

| Vertical Angle | Horizontal Angle | | |
|----------------|------------------|----|----|
| | 0 | 45 | 90 |
| 55 | 0 | 0 | 0 |
| 65 | 0 | 0 | 0 |
| 75 | 0 | 0 | 0 |
| 85 | 0 | 0 | 0 |

IES files for this and other photometric options can be downloaded online at www.ledalite.com

Additional Information

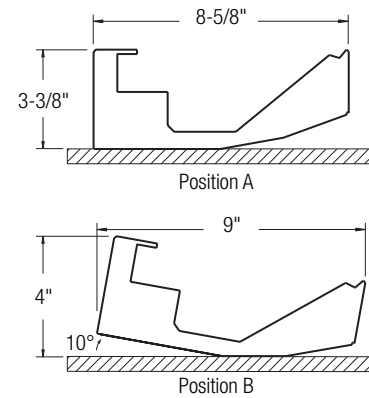
Modules

Nominal module length shown on right.

| Module | Nominal Length |
|--------|----------------|
| 2ft | 2'0" |
| 3ft | 3'0" |
| 4ft | 4'0" |
| 6ft | 6'0" |
| 8ft | 8'0" |

Mounting Positions

Fixtures can be mounted in multiple positions to adjust for specific site and lighting requirements.



Specifications

Due to continuing product improvements, Ledalite reserves the right to change specifications without notice.

Housing

Die-formed 20 gauge cold-rolled steel painted white.

Weight

3.0 lb/ft.

Optical System

Constructed of highly specular Miro IV® aluminum* and highly reflective 20 gauge steel to produce an asymmetric distribution.

* Note: 2T8 constructed of highly specular aluminum.

Mounting

Fixtures can be screwed down in multiple positions and orientations to enable precise coordination of optical distributions.

Electrical

Factory pre-wired to section ends with quick-wire connectors.

Ballast

Electronic.

Approvals

Certified to UL & CSA standards.