
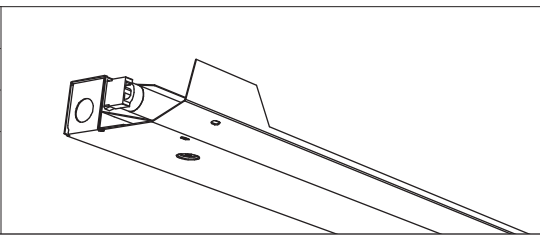


In-Cove II



Cove
 Indirect
 1 T8

Project Name

Spec Type

Notes

Order Guide

Some combinations of product options may not be available. Consult factory for assistance with your specification.

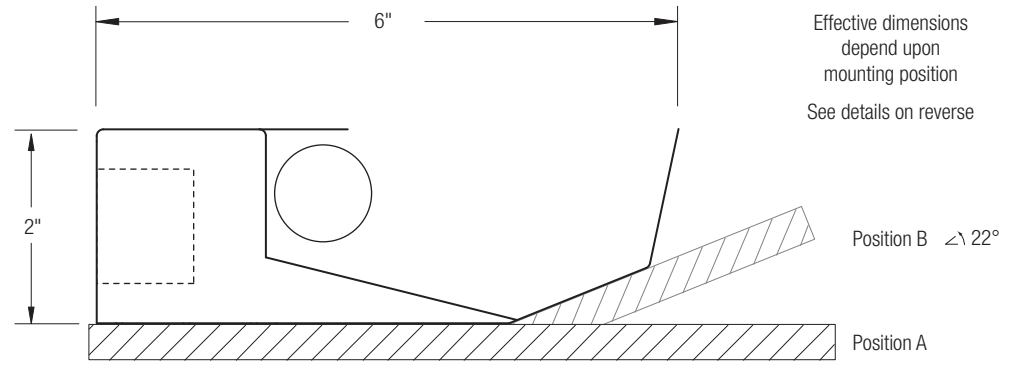
3808	T01			-		-		-	
Product Series & Type	Lamping	Lower Optics	Upper Optics	Run Length	Wiring	Voltage	Ballast	Color & Finish	
In-Cove II Indirect	1 T8	E Solid Housing	N None	Enter the total run length in feet	1 1 cct 3 1 cct w/ Emergency cct 5 1 cct w/ Battery Pack 7 1 cct Dimming	1 120V 2 277V 3 347V	E Standard Ballast	W High Reflective White	
				See details on reverse	Consult website for complete list of standard wiring options		Consult website for ballast manufacturer information		

Upgrades & Accessories

Please indicate with check mark.

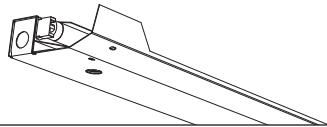
Lamps Included

Lamps Included and Installed



In-Cove II

Cove
Indirect
1 T8



Photometry Optics EN

Report Summary

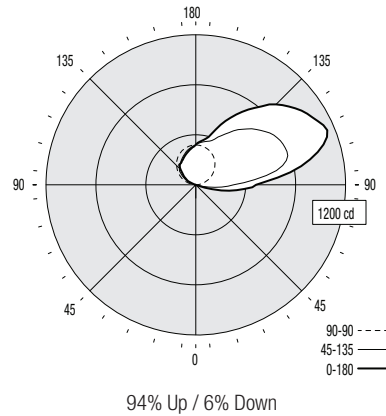
Report # 9901111
Filename 3808T01EN.ies
Efficiency 78.1%

Peak Candela Value* 1140 @ 113°
Peak to Zenith Ratio* 3.6 : 1

* Between 90-180° vertical angle

Candela Distribution

Vertical Angle	Horizontal Angle					Zonal Lumens
	0	22.5	45	67.5	90	
0	0	0	0	0	0	
5	0	0	0	0	3	0
15	0	0	0	0	3	0
25	0	0	0	0	3	0
35	0	0	0	3	3	0
45	0	0	0	3	4	0
55	0	0	0	3	4	0
65	0	0	0	3	4	0
75	134	15	0	4	4	18
85	388	208	0	5	4	93
90	483	303	7	6	4	
95	657	474	22	8	5	195
105	1012	751	70	28	9	338
115	1128	771	123	84	66	392
125	1034	723	172	138	114	370
135	910	634	216	184	172	320
145	735	527	256	212	209	249
155	564	422	286	246	233	175
165	396	360	307	280	266	108
175	345	336	317	307	301	48
180	320	320	320	320	320	



Coefficients of Utilization (%)

Ceiling:	80				70				50				0
	70	50	30	10	70	50	30	10	70	50	30	10	
0 RCR	75	75	75	75	65	65	65	46	46	46	5		
1	67	63	60	57	57	54	51	38	36	34	1		
2	61	55	50	46	52	47	43	32	30	27	0		
3	55	48	42	38	47	41	36	28	25	23	0		
4	50	42	36	31	43	36	31	25	22	19	0		
5	46	37	31	26	39	32	27	22	19	16	0		
6	42	33	27	23	36	28	23	20	16	14	0		
7	39	30	24	19	33	25	20	18	14	12	0		
8	36	27	21	17	30	23	18	16	13	10	0		
9	33	24	18	15	28	21	16	14	11	9	0		
10	31	22	16	13	26	19	14	13	10	8	0		

Based on a floor reflectance of 0.2

Avg. Luminance (cd/m²)

Vertical Angle	Horizontal Angle		
	0	45	90
55	0	0	54
65	0	0	73
75	3979	0	119
85	34215	0	353

IES files for this and other photometric options can be downloaded online at www.ledalite.com

Additional Information

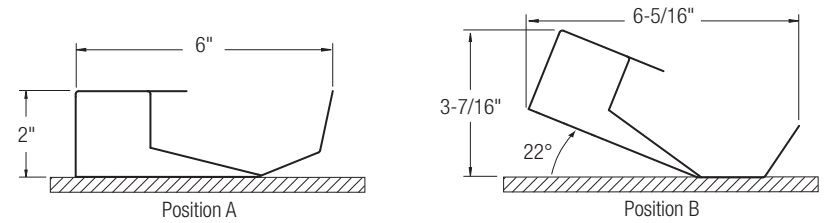
Modules

Nominal module length shown on right.

Module	Nominal Length
2ft	2'0"
3ft	3'0"
4ft	4'0"
6ft	6'0"
8ft	8'0"

Mounting Positions

Fixtures can be mounted in multiple positions to adjust for specific site and lighting requirements.



Specifications

Due to continuing product improvements, Ledalite reserves the right to change specifications without notice.

Housing

Die-formed 20 gauge cold-rolled steel painted white.

Weight

3.0 lb/ft.

Optical System

Constructed of highly specular Miro IV® aluminum* and highly reflective 20 gauge steel to produce an asymmetric distribution.

* Note: 2T8 constructed of highly specular aluminum.

Mounting

Fixtures can be screwed down in multiple positions and orientations to enable precise coordination of optical distributions.

Electrical

Factory pre-wired to section ends with quick-wire connectors.

Ballast

Electronic.

Approvals

Certified to UL & CSA standards.