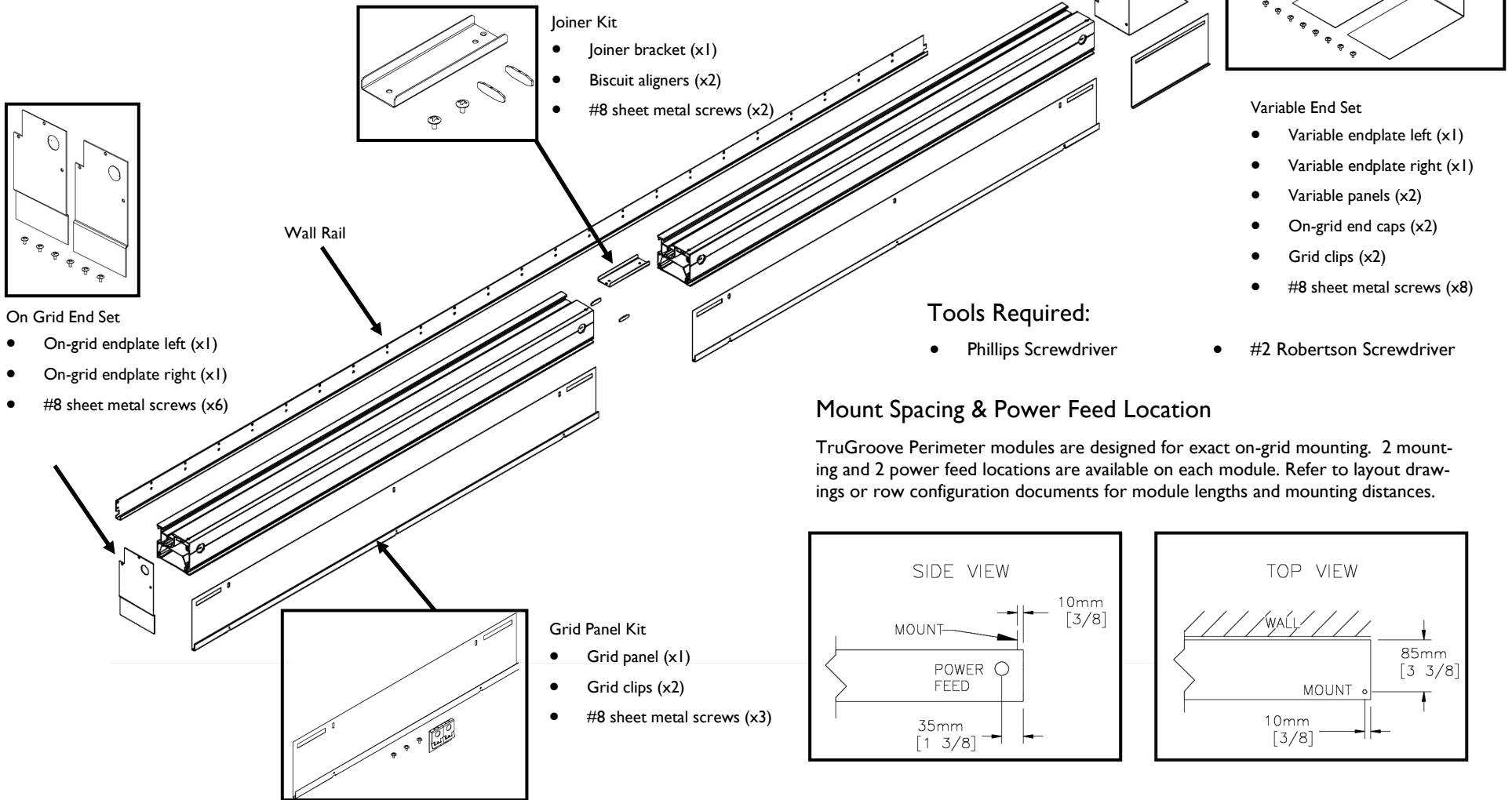
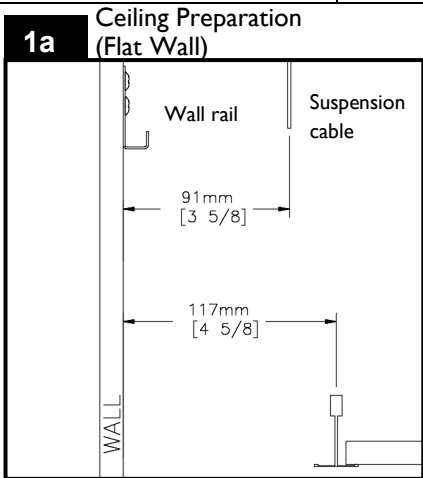


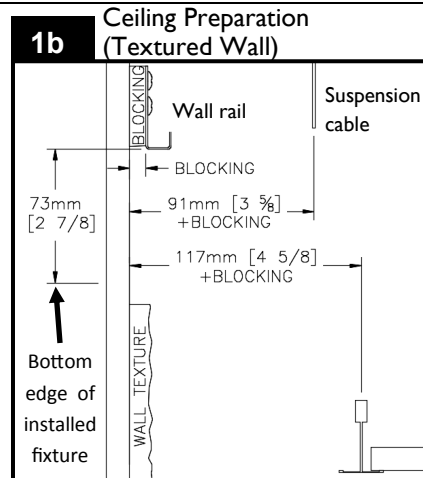
System Overview

These instructions review how to install TruGroove Perimeter Ambient and Graze fixtures. Modules can be installed as individual standalone units, or they can be joined together to create continuous runs. The graphics below show the components required to install a typical run of TruGroove Perimeter fixtures. **IMPORTANT: Read all instructions before beginning installation.**

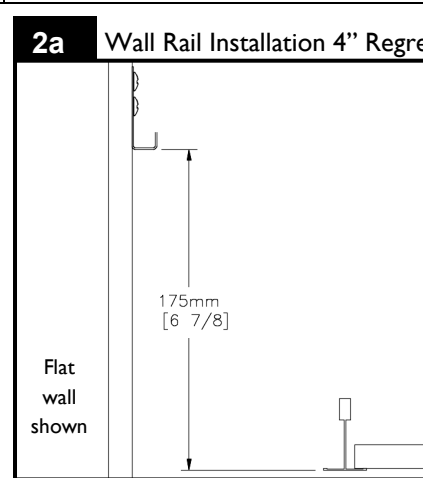




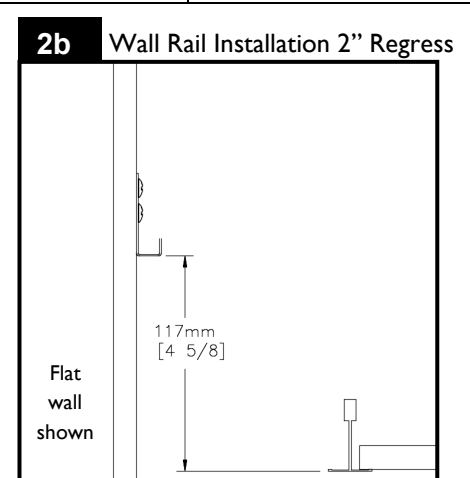
Ceiling preparation covers grid ceiling modifications, attachment of wall rails and mount installation. Above diagram covers all required dimensions for standard t-grid installation. **IMPORTANT:** Grid opening size must be followed for proper fit.



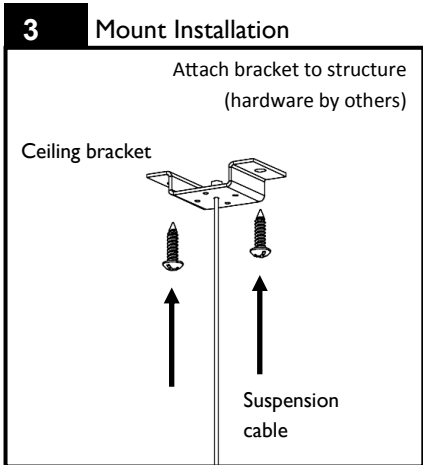
Optional: Textured walls. Above diagram covers all required dimensions for standard t-grid installation with a textured wall. **IMPORTANT:** To ensure a proper fit, blocking (by others) must be the same thickness as wall texture.



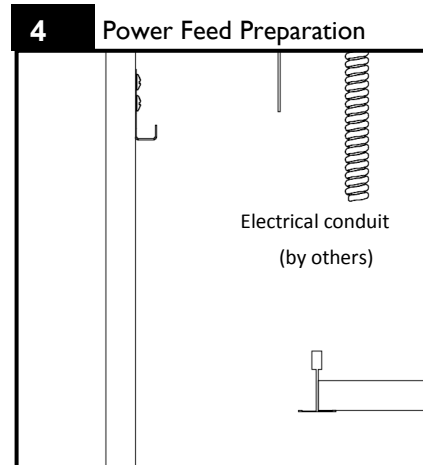
TruGroove perimeter fixture modules are available in two different above plenum heights. Refer to layout drawings for required regress. Standard 4" regress is shown in above diagram. Attach wall rails (hardware by others) to wall studs at specified height. **IMPORTANT:** Ensure all wall rails are level.



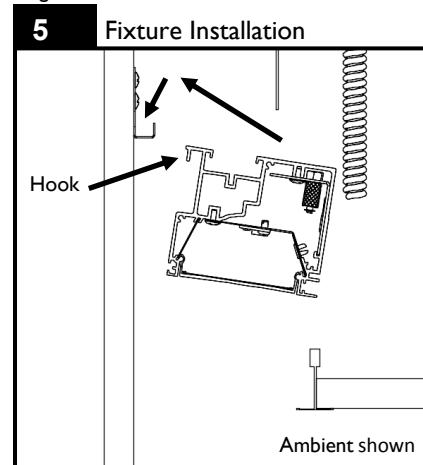
Optional 2" regress is shown in above diagram. Attach wall rails (hardware by others) to wall studs at specified height. **IMPORTANT:** Ensure all wall rails are level.



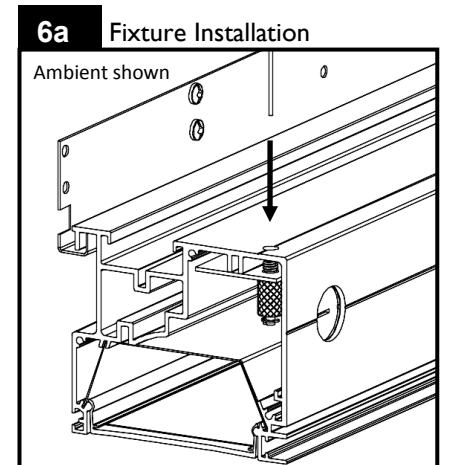
Refer to page 1 and steps 1a/1b above for determining mounting locations. To install the 1st module, two brackets and suspension cables are required. When joining luminaires, only one bracket and suspension cable are required for each joining module.



Determine required power feed locations. Refer to page 1 for typical power feed locations for each housing. Prepare power feed drop conduit and suspend close to required location. Attachment to fixture module is shown in step 8.



Lift fixture module past ceiling plane, Tilt as shown and engage housing hook on wall rail.

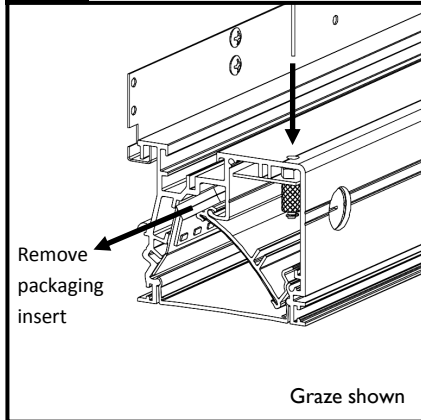


Insert suspension cables installed in step 3 through cable grippers inside fixture housing. **IMPORTANT:** Ensure suspension cables are vertical. Level fixture and trim excess cable to 1" below fixture. Tuck remaining cable inside fixture housing.

! ATTENTION: Install in accordance with national and local building and electrical codes.

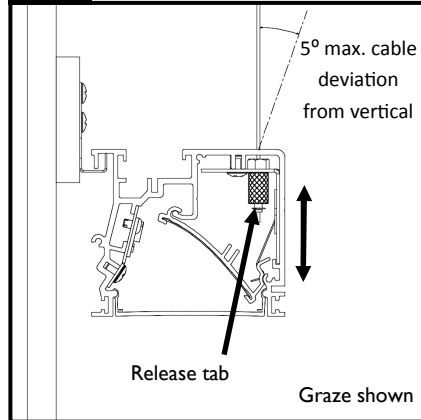
Page 2

6b Fixture Installation



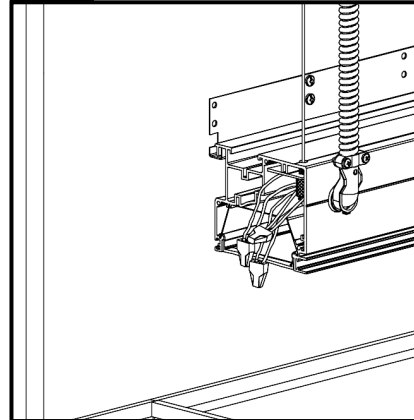
Engage housing on wall rail. Insert suspension cables installed in step 3 through cable grippers inside fixture housing. Pull cables through and refer to next step for levelling. **IMPORTANT:** Remove graze packaging insert from both ends of each housing.

7 Fixture Installation



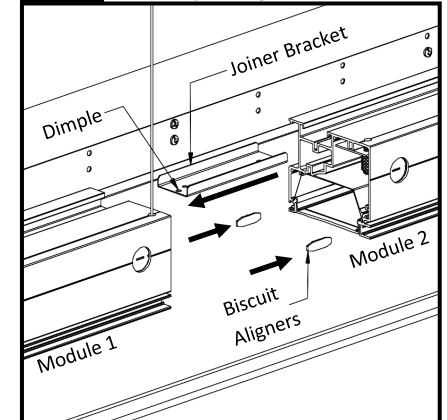
To adjust fixture level, support bottom of housing and release cable gripper by pulling tab as shown. Cable will slide freely and allow fine tuning of housing position. Repeat process at each cable gripper location using same procedure to ensure housing is level.

8 Power Feed Connection



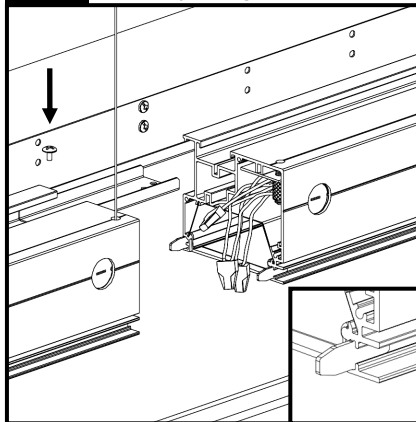
Break 7/8" knockout at end of housing at required power feed location. Install conduit connector (by others) and complete electrical connections. For a row end, tuck wires inside wiring cavity and follow endplate installation instructions starting in step 13.

9 Fixture Joining



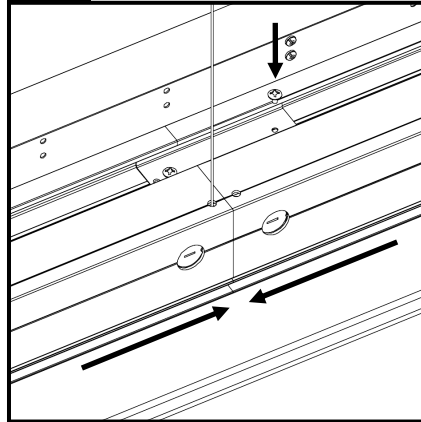
Slide dimpled side of joiner bracket approximately 1 inch inside top channel of module 1. Tap biscuit aligners just past half way inside module 2 as shown.

10 Fixture Joining



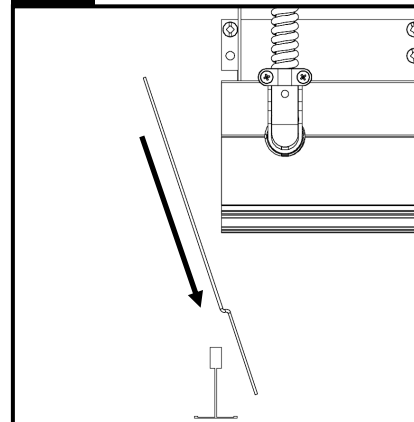
Secure joiner bracket to module 1 with screw provided. Slide module 2 on rail and engage on free end of joiner bracket. Complete all required electrical connections and tuck all wires inside both wiring cavities.

11 Fixture Joining



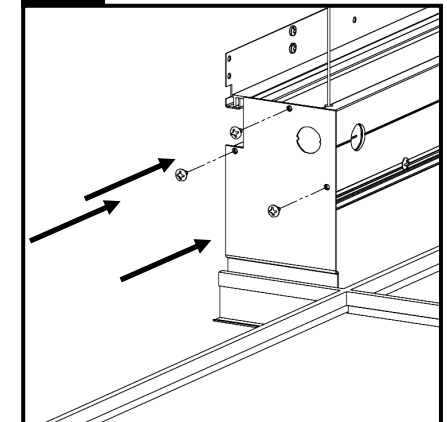
IMPORTANT: Before sliding fixtures together, make sure all electrical wires and suspension cables are properly tucked inside fixture wiring cavities. Slide fixture housings together and attach second joiner bracket screw.

12 Flat End Installation



For variable end installation, skip to step 14b. Rotate and position bottom of endplate inside grid and push flat against housing end.

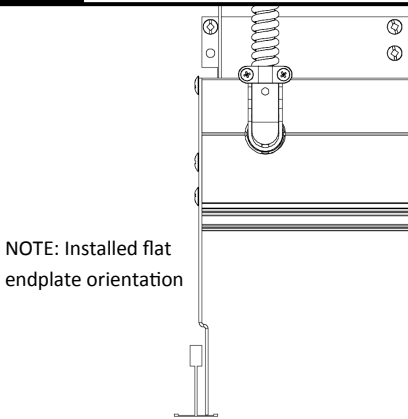
13 Flat End Installation



Secure endplate to housing with 3 screws as shown.

! ATTENTION: Install in accordance with national and local building and electrical codes.

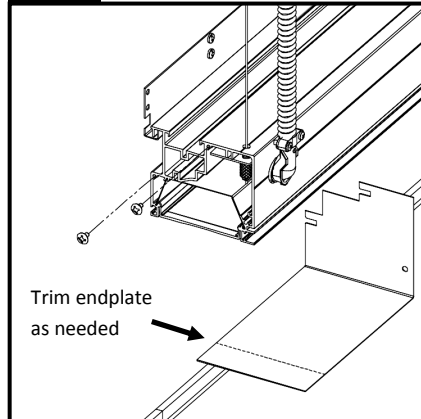
14a Flat End Installation



NOTE: Installed flat endplate orientation

IMPORTANT: Flat endplate must be oriented and installed as shown above. If variable ends are not required, skip to step 17 for panel installation.

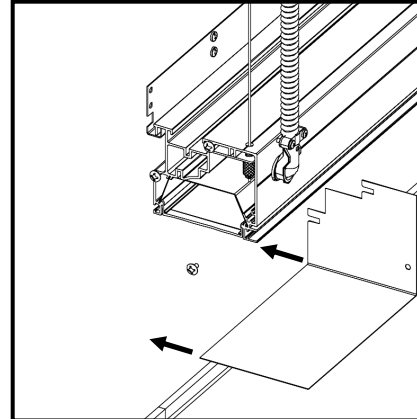
14b Variable End Installation



Trim endplate as needed

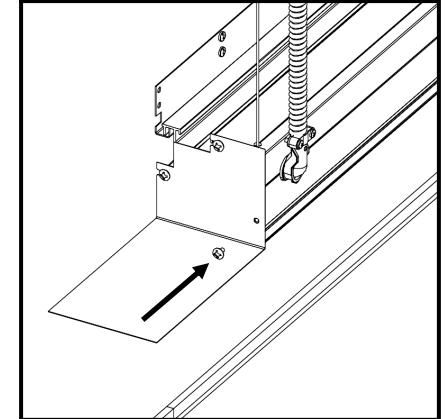
After fixture modules have been installed and levelled, measure distance between wall and fixture end. Trim variable endplate as required. **INSTALLATION TIP:** Before next step, attach 2 screws shown above to housing. Fully tighten then back off 1/2 turn.

15 Variable End Installation



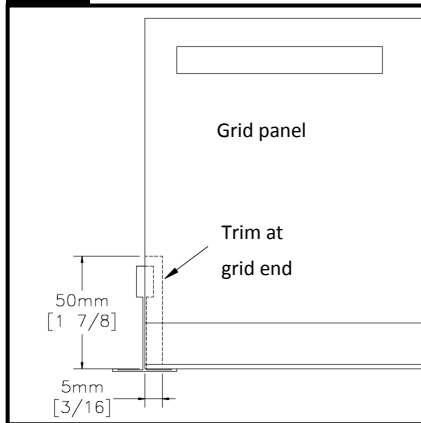
After variable endplate has been trimmed to size, slide endplate toward wall guiding open slots towards screws installed in step 14b. Hook slots on screws and push all the way towards wall.

16 Variable End Installation



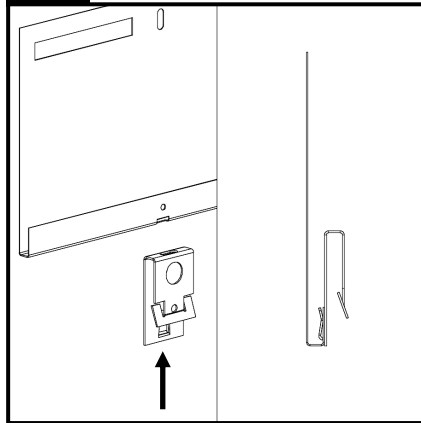
Check that endplate edge is flush with housing and attach final screw to lock in place.

17 Panel Installation – On Grid



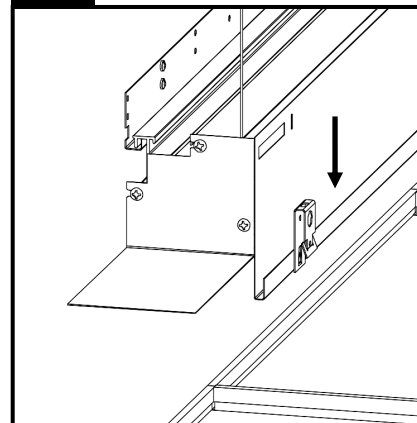
Before installing grid panels, all panels ending on grid must be trimmed as shown. Ensure one left and one right are trimmed for each required run.

18 Panel Installation



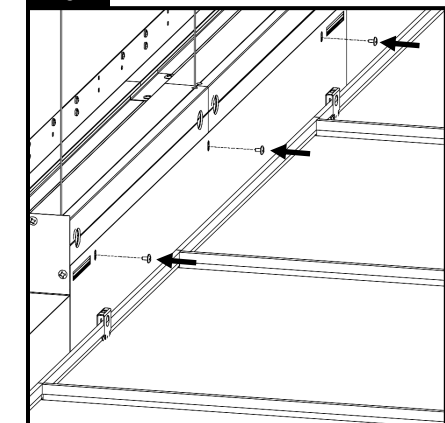
Insert grid clips (x2) to grid panel at slot locations. Push grid clip up as shown until bottom of clip is flush with bottom of grid panel.

19 Panel Installation



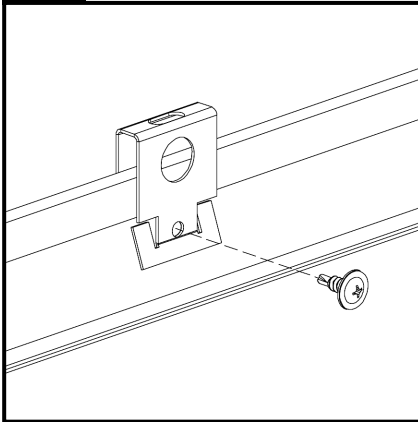
Starting at one end, align first grid panel with end of housing and slide onto t-grid to engage clips.

20 Panel Installation



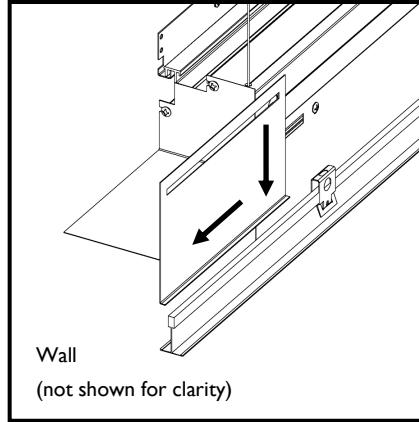
Secure grid panel to housing by attaching provided screws to housing through panel slots as shown. Repeat panel installation to complete run.

21 Panel Installation



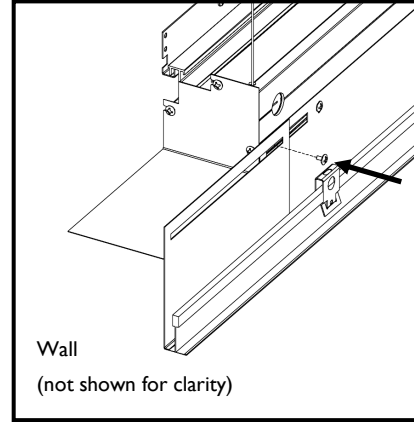
Secure grid clips to t-bar ceiling using screws (by others).

22 Variable Panel Installation



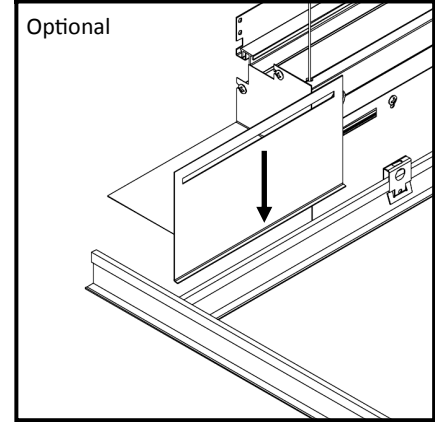
For variable ends at a wall, insert variable panel inside installed grid panel. Slide to required position. **NOTE:** When installed, the variable panel will match the length of variable endplate installed in steps 14b-16.

23 Variable Panel Installation



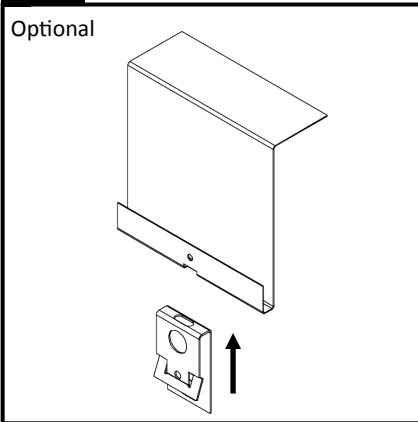
Secure variable panel to housing with screw provided.

24 Variable Panel Installation



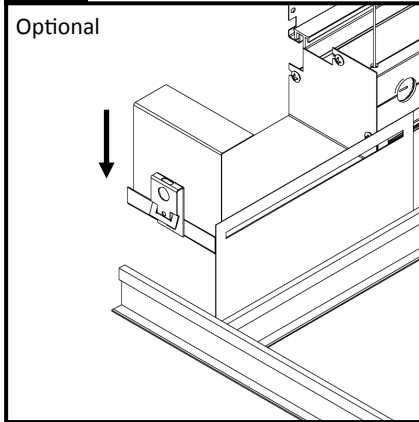
Optional
For variable ends on-grid, insert variable panel inside installed grid panel.

25 Variable End Installation



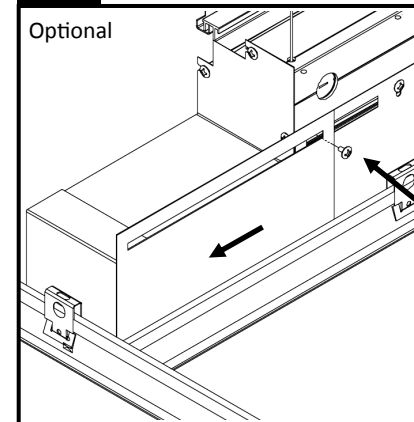
Optional
Install grid clip to on-grid end cap by following instructions shown in step 18.

26 Variable End Installation



Optional
Attach on-grid endplate by securing grid clip to t-bar. Secure grid clip to t-bar following instructions shown in step 21.

27 Variable Panel Installation



Optional
Slide variable panel against t-bar and secure to housing with screw provided.

28 Finishing

- Ensure all fixtures are level and in line with each other.
- Check that all joint and endplate screws are installed and all seams are tight.
- Check that all panel screws are attached and tight.