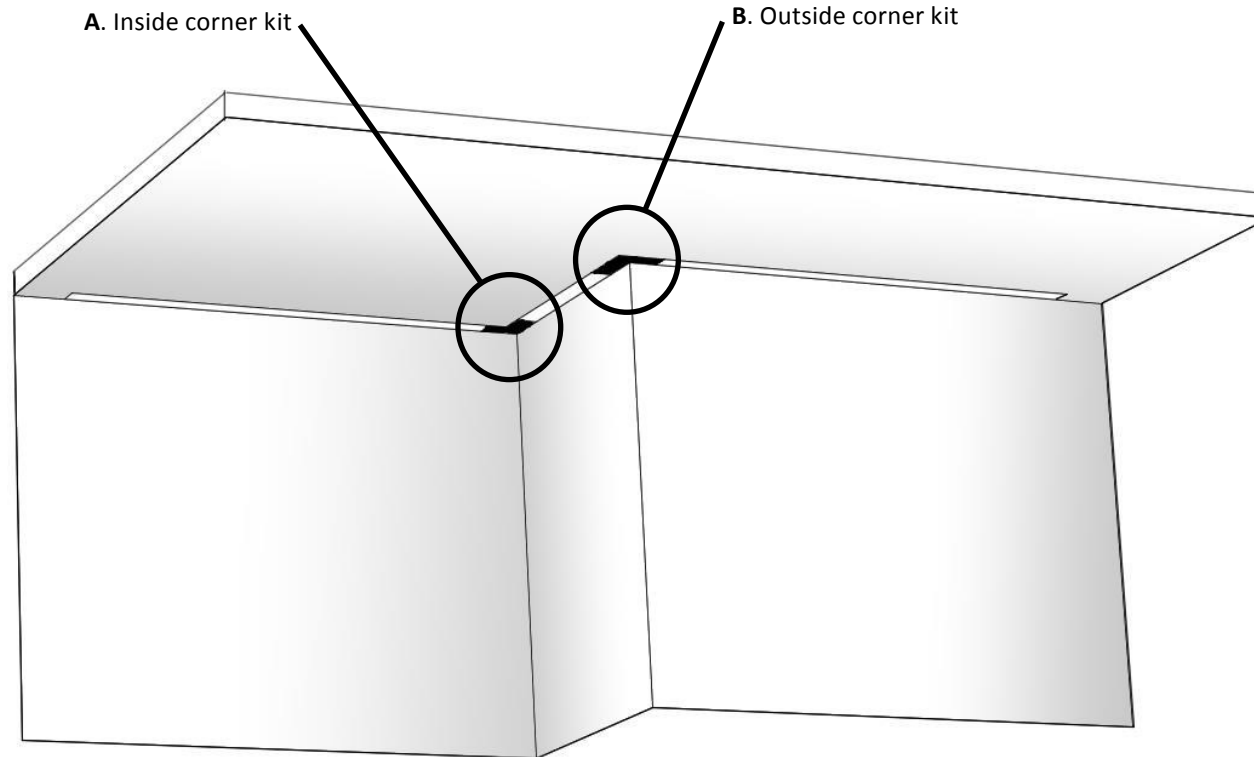


System Overview

These instructions review how to install TruGroove Perimeter Ambient and Graze fixture corners. Please refer to layout drawings supplied by Philips Ledalite together with these installation instructions. These instructions must be used in conjunction with TruGroove Perimeter Grid or Drywall Installation Instructions. The graphics below show the corner types available and steps required to correctly install TruGroove Perimeter corners in grid and drywall ceilings.

IMPORTANT: Read all instructions before beginning installation.

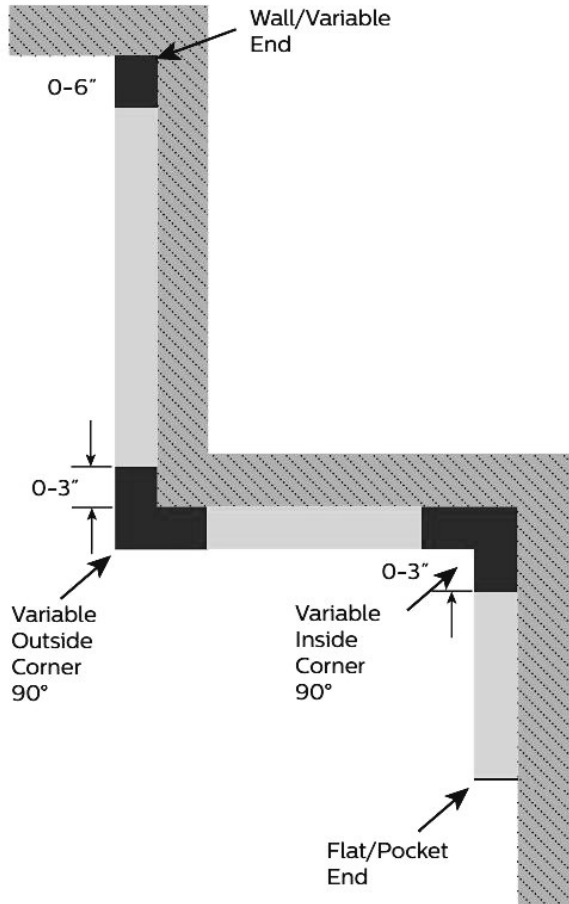


Corner Type Detail

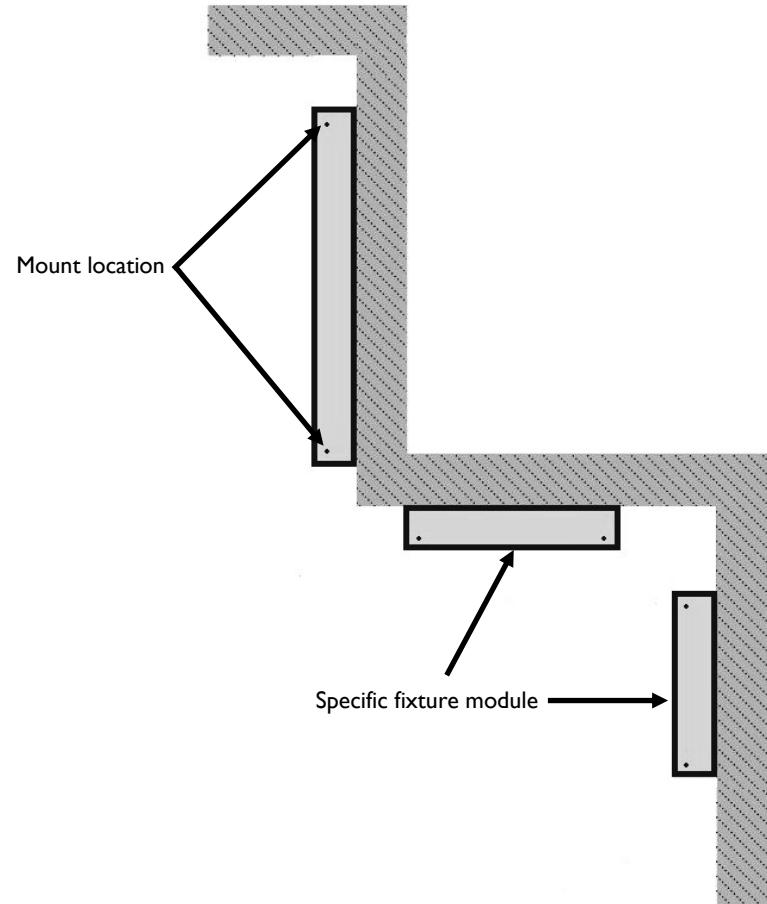
- A. **Inside corner:** for 2" and 4" regress, available in t-grid, trim and trimless.
- B. **Outside corner:** for 2" and 4" regress, available in t-grid, trim and trimless.

! ATTENTION: Install in accordance with national and local building and electrical codes.

Page 1



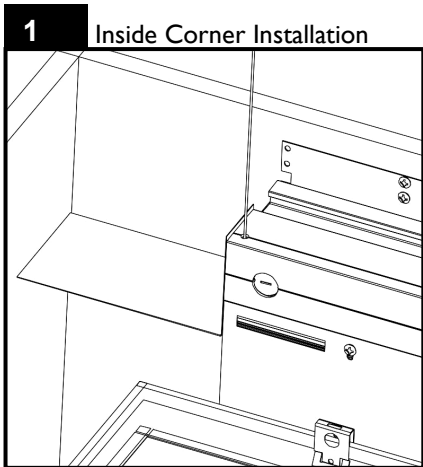
General Layout



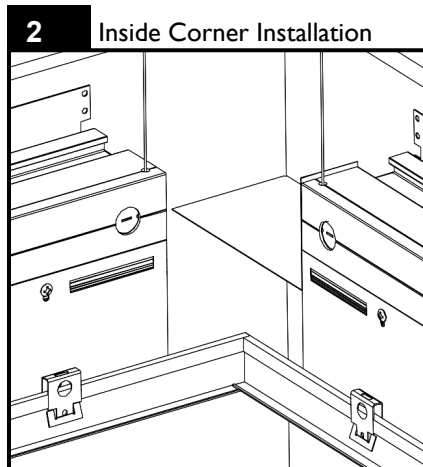
IMPORTANT: Refer to layout drawings for fixture module and mounting locations.

NOTE: ALWAYS START FIXTURE INSTALLATION IN A CORNER AND WORK OUTWARDS.

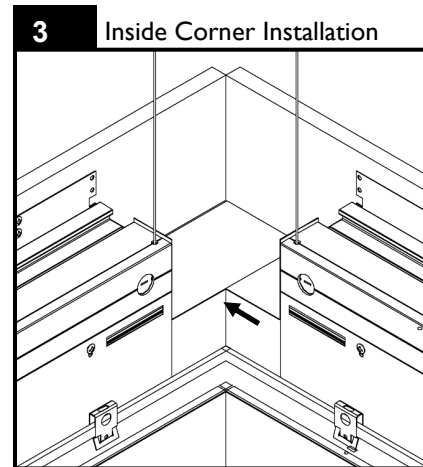
! ATTENTION: Install in accordance with national and local building and electrical codes.



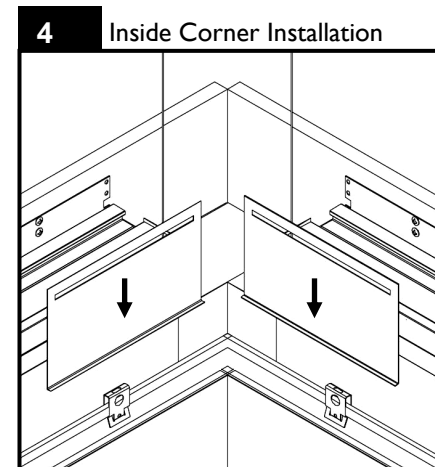
1 Inside Corner Installation
Follow TruGroove Perimeter Grid Ceiling Installation Instructions and supplied layout drawings and install first fixture module. Trim variable endplate to wall and install as shown.



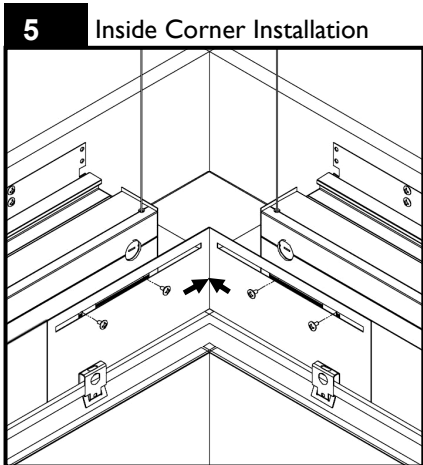
2 Inside Corner Installation
Install second fixture module as per TruGroove Perimeter Grid Ceiling Installation Instructions and supplied layout drawings.



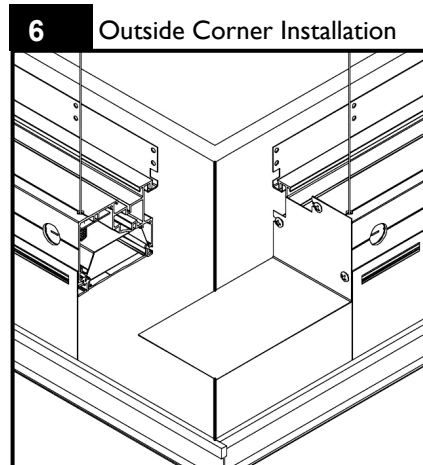
3 Inside Corner Installation
Install second variable endplate as per TruGroove Perimeter Grid Installation Instructions (steps 14b-19). Variable endplates will overlap, closing off the opening below.



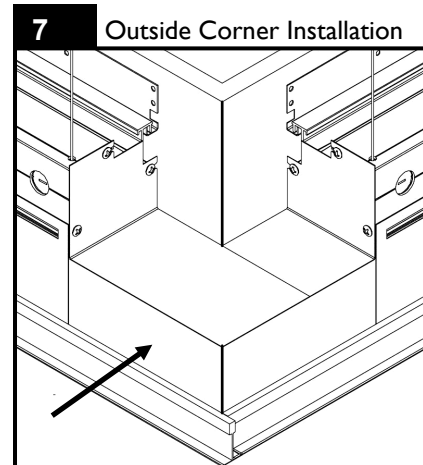
4 Inside Corner Installation
Insert variable panels inside installed grid panels.



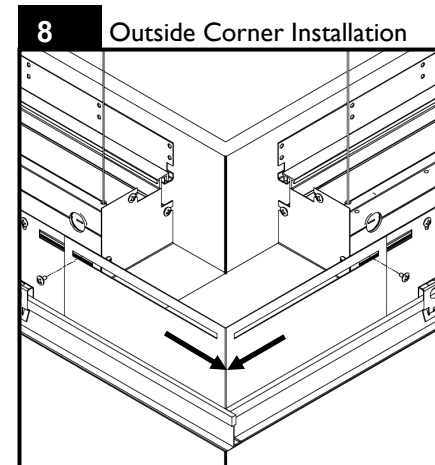
5 Inside Corner Installation
Slide panels together until gap is fully closed. Secure variable panels to housings with screws provided.



6 Outside Corner Installation
Follow Perimeter Grid Installation Instructions and supplied layout drawings and install first fixture module (steps 1-19). Trim variable endplate to required length and install as shown.



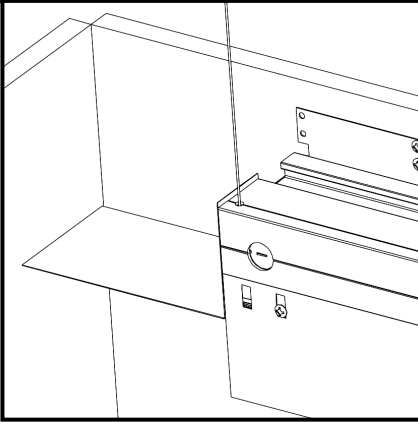
7 Outside Corner Installation
Install second fixture module and variable endplate as per TruGroove Perimeter Grid Installation Instructions. Variable endplates will overlap closing off the opening below.



8 Outside Corner Installation
Insert variable panels inside installed grid panels. Slide to required position until gap is fully closed. Secure variable panels with screws provided.

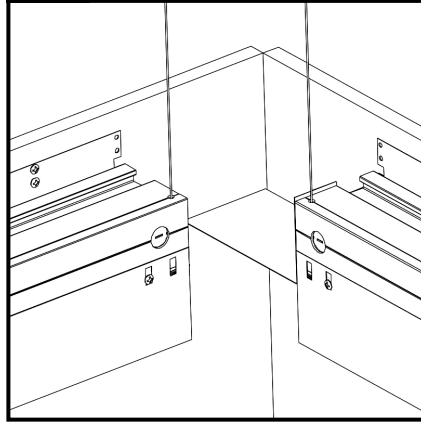
! **ATTENTION: Install in accordance with national and local building and electrical codes.** **Page 3**

1 Inside Corner Installation



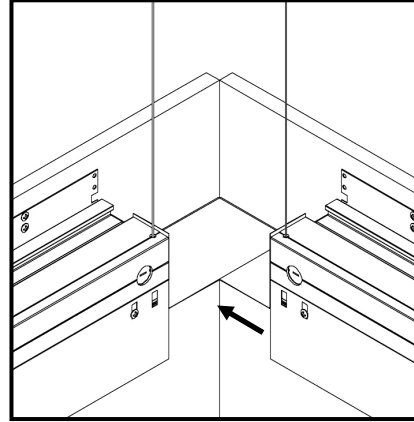
Follow TruGroove Perimeter Drywall Ceiling Installation Instructions and supplied layout drawings and install first fixture module. Trim variable endplate to wall and install as shown.

2 Inside Corner Installation



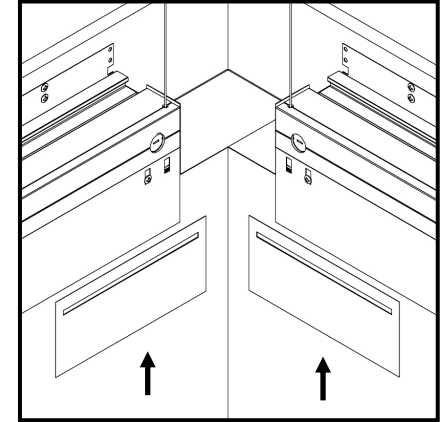
Install second fixture module as per TruGroove Perimeter Drywall Ceiling Installation Instructions and supplied layout drawings.

3 Inside Corner Installation



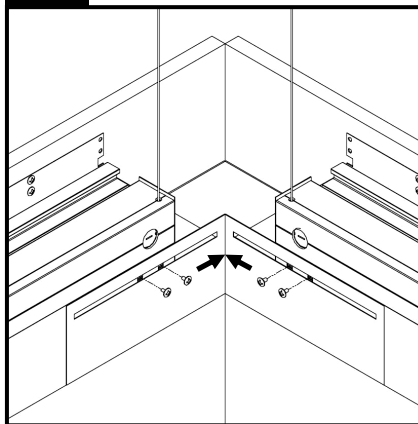
Install second variable endplate as per TruGroove Perimeter Drywall Ceiling Installation Instructions. Variable endplates will overlap, closing off the opening below.

4 Inside Corner Installation



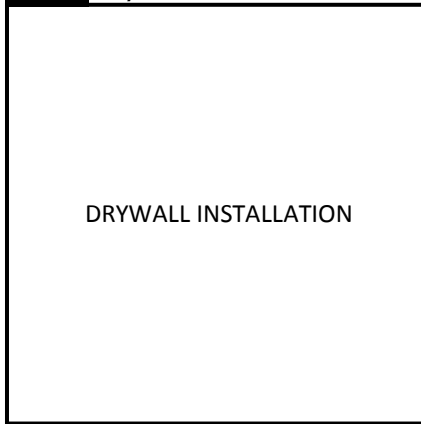
Raise variable and full size panels to housing level. Align full size panels with ends of housings and overlap variable panels on top. Support in position for attachment.

5 Inside Corner Installation



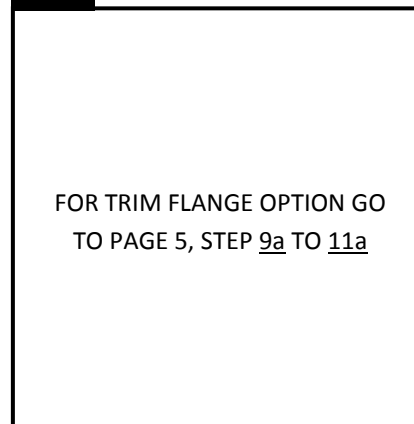
Slide panels together until gap is fully closed. Secure variable panels to housings with screws provided.

6 Drywall Installation

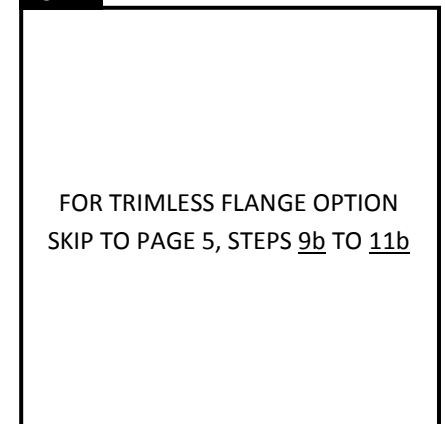


NOTE: These instructions cover drywall thickness of 1/2" - 5/8". Install drywall and trim flush to framing opening.

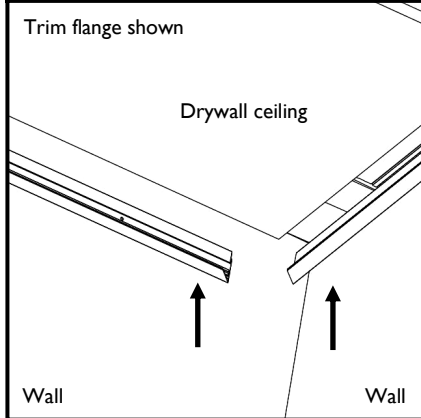
7 Outside Corner Installation



8 Outside Corner Installation

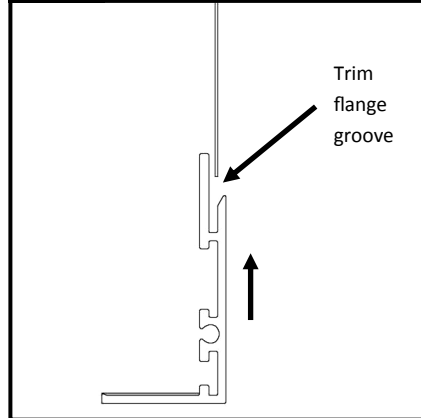


9a Inside Corner Installation



NOTE: Each trim flange must be cut at 45 degrees on site. Make sure to mark orientation and make one left and one right cut. Raise trim flanges to ceiling, push together for a tight seam and align cut edges with corner.

10a Inside Corner Installation



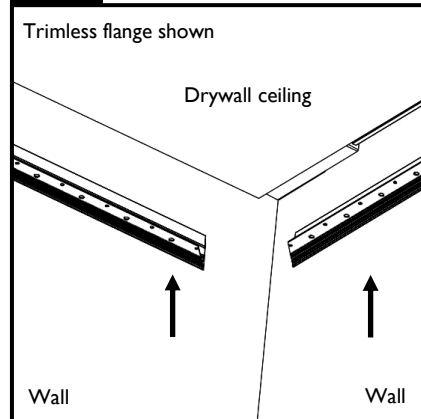
Make sure to engage panel edge into trim flange groove.

11a Inside Corner Installation



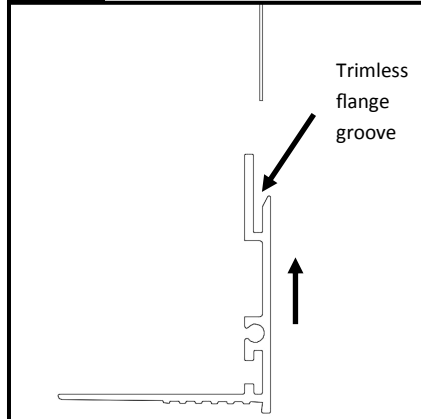
Secure trim flange to deep channel track with wafer head screws (by others). See steps 29-35 of TruGroove Perimeter Drywall Ceiling Installation Instructions for finishing.

9b Inside Corner Installation



NOTE: Each trimless flange must be cut at 45 degrees on site. Make sure to mark orientation and make one left and one right cut. Raise trimless flanges to ceiling, push together for a tight seam and align cut edges with corner.

10b Inside Corner Installation



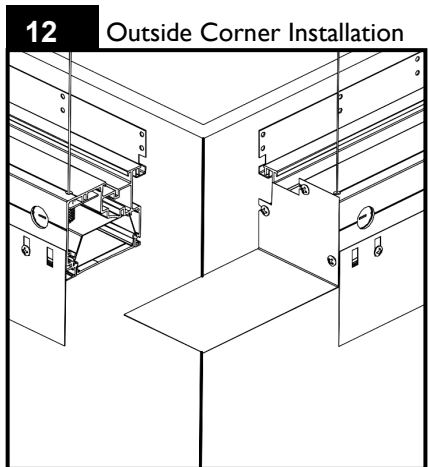
Make sure to engage panel edge into trimless flange groove.

11b Inside Corner Installation

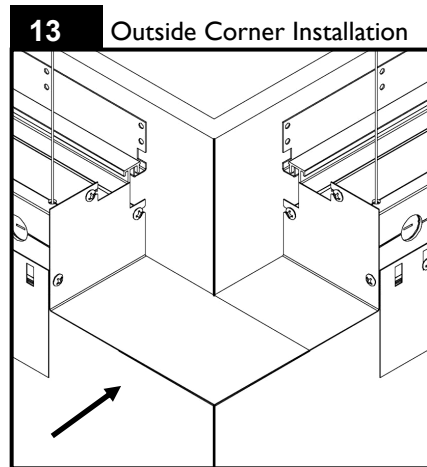


Push trimless flange tight against drywall and attach to structure using drywall screws (by others). See steps 45-50 of TruGroove Perimeter Drywall Ceiling Installation Instructions for finishing.

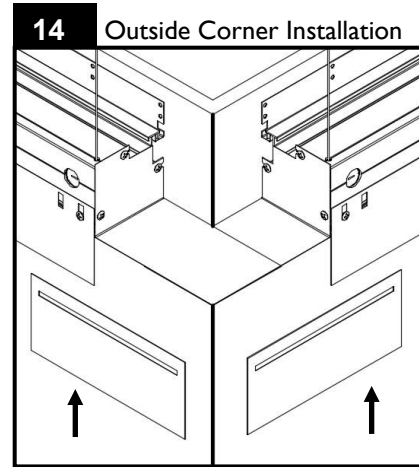
! ATTENTION: Install in accordance with national and local building and electrical codes.



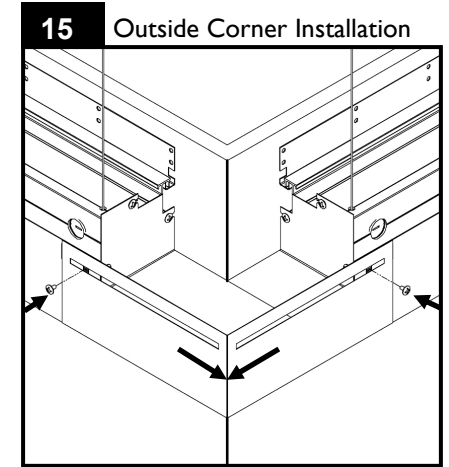
Follow TruGroove Perimeter Drywall Ceiling Installation Instructions and supplied layout drawings and install first fixture module. Trim variable endplate to wall and install as shown.



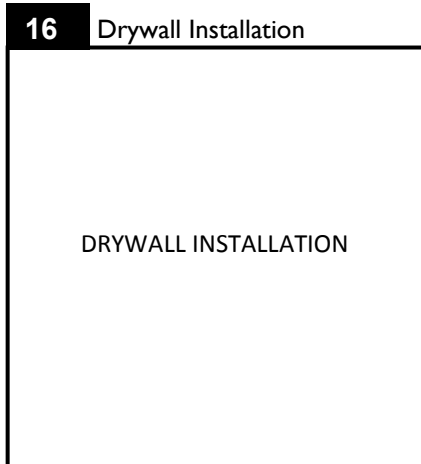
Install second module and variable endplate as per TruGroove Perimeter Drywall Ceiling Installation Instructions. Variable endplates will overlap closing off the opening below.



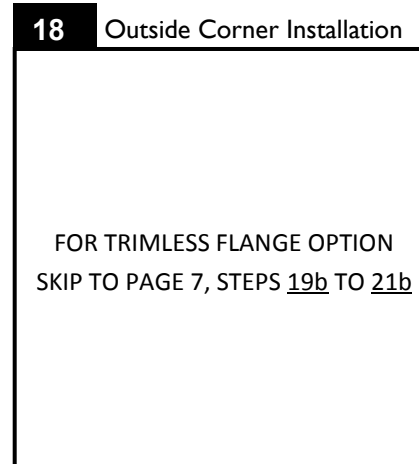
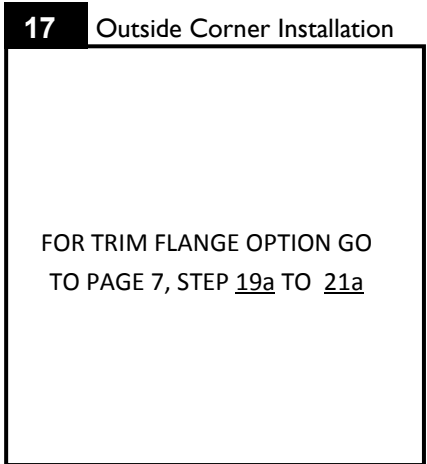
Raise variable and full size panels to housing level. Align full size panels with ends of housings and overlap variable panel on top. Support in position for attachment.



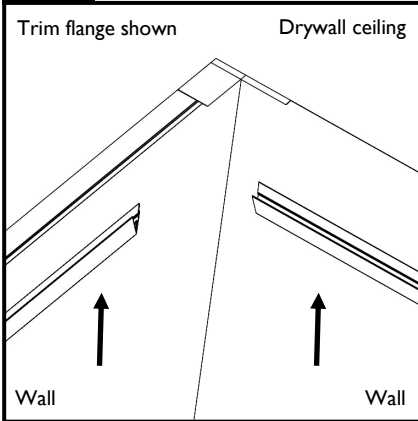
Slide panels together until gap is fully closed. Secure variable panels to housings with screws provided.



NOTE: These instructions cover drywall thickness of 1/2" - 5/8". Install drywall and trim flush to framing opening.

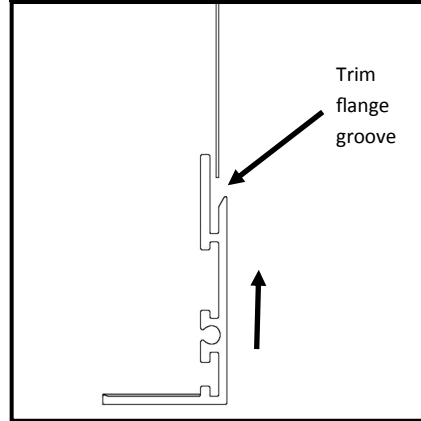


19a Outside Corner Installation



NOTE: Each trim flange must be cut at 45 degrees on site. Make sure to mark orientation and make one left and one right cut. Raise trim flanges to ceiling, push together for a tight seam and align cut edges with corner.

20a Outside Corner Installation



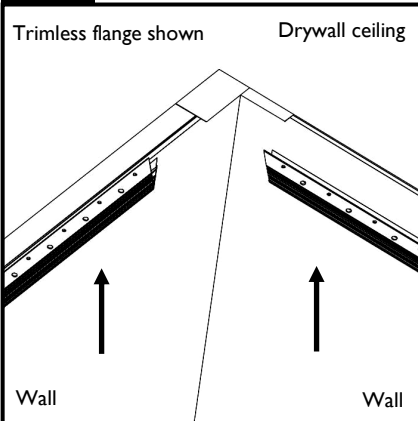
Make sure to engage panel edge into trim flange groove.

21a Outside Corner Installation



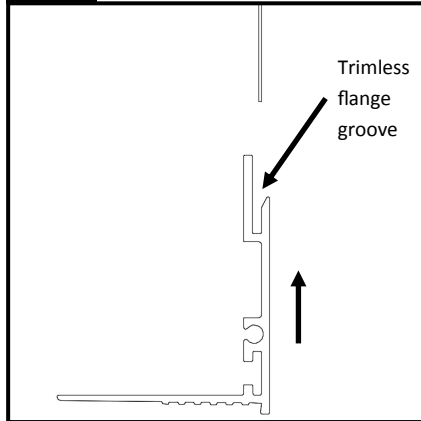
Secure trim flange to deep channel track with wafer head screws (by others). See steps 29-35 of TruGroove Perimeter Drywall Ceiling Installation Instructions for finishing.

19b Outside Corner Installation



NOTE: Each trimless flange must be cut at 45 degrees on site. Make sure to mark orientation and make one left and one right cut. Raise trimless flanges to ceiling, push together for a tight seam and align cut edges with corner.

20b Outside Corner Installation



Make sure to engage panel edge into trimless flange groove.

21b Outside Corner Installation



Push trimless flange tight against drywall and attach to structure using drywall screws (by others). See steps 45-50 of TruGroove Perimeter Drywall Ceiling Installation Instructions for finishing.

! ATTENTION: Install in accordance with national and local building and electrical codes.