

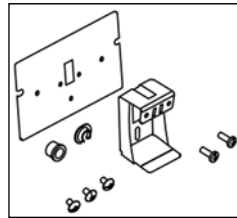
### System Overview

These instructions review how to install Sona wall mount fixtures. 4ft and 8ft modules can be installed as individual standalone units, or they can be joined together to create continuous runs. The graphics below show the components required to install a typical run of Sona wall fixtures.

**IMPORTANT: Read all instructions before beginning installation.**

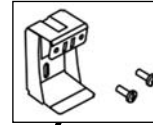
#### Sona power mount kit(s)

- Wall bracket (S1)
- #10-32 x 5/6" machine screw (x3)
- #10-32 x 1/2" Philips screw (x2)
- J-box cover plate (x1)
- 1/2" bushing
- Strain relief



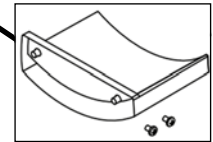
#### Sona non-power kit(s)

- Wall bracket (x1)
- #10-32 x 1/2" Philips screw (x2)



#### Sona end kit(s)

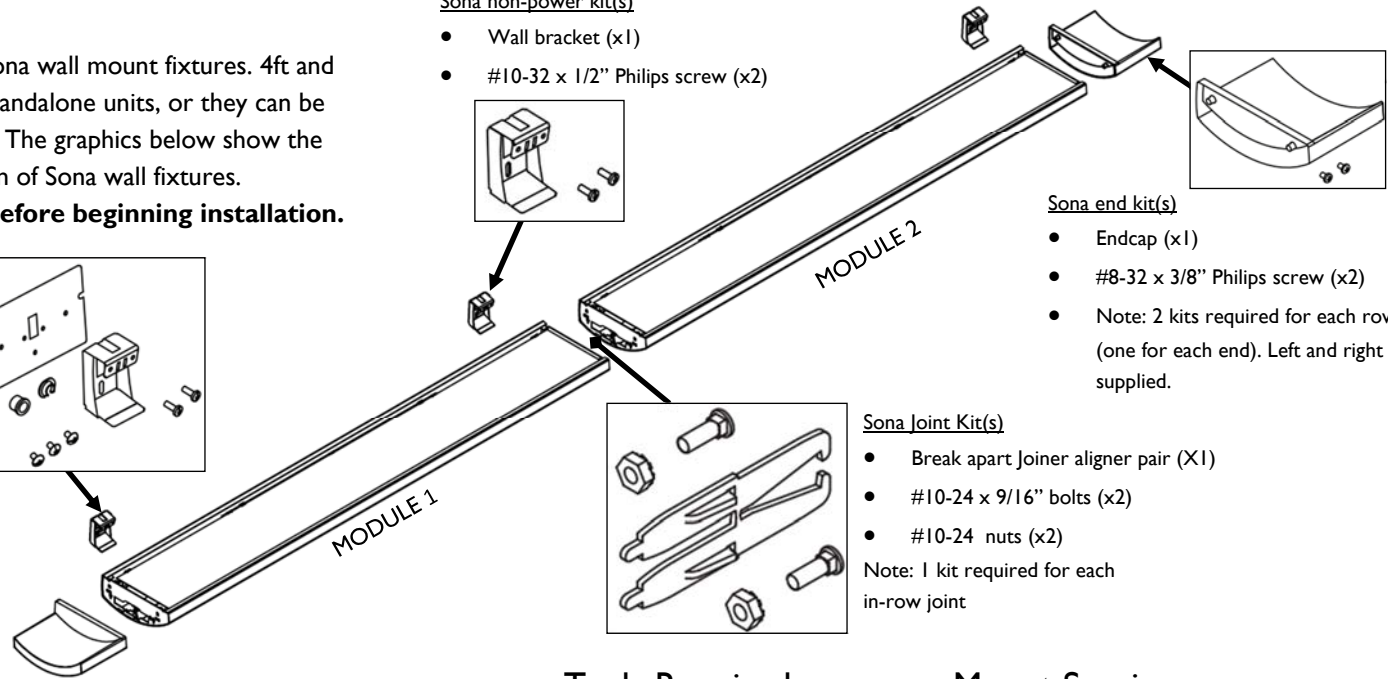
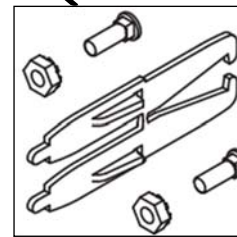
- Endcap (x1)
- #8-32 x 3/8" Philips screw (x2)
- Note: 2 kits required for each row (one for each end). Left and right kits supplied.



#### Sona Joint Kit(s)

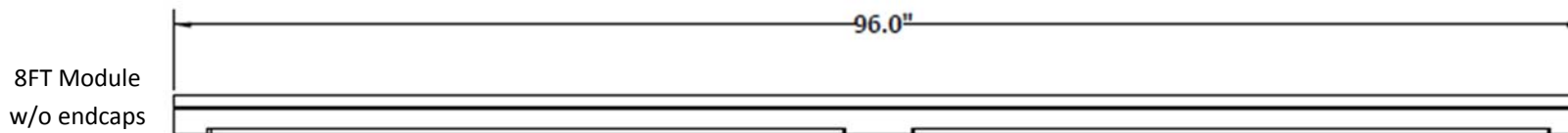
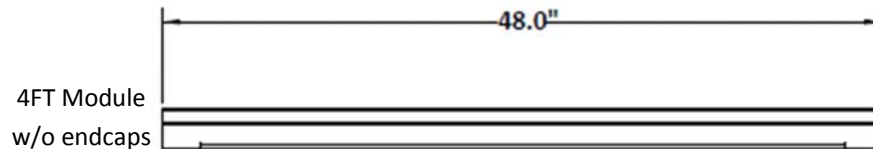
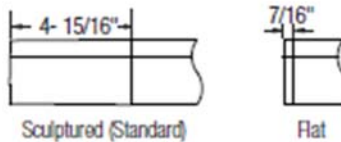
- Break apart Joiner aligner pair (X1)
- #10-24 x 9/16" bolts (x2)
- #10-24 nuts (x2)

Note: 1 kit required for each in-row joint



### Module Lengths

Sona wall fixtures come in 4ft and 8ft modules. Overall module lengths are shown below. Add 4-15/16" for each sculpted endcap or 7/16" for each flat endcap.



### Tools Required:

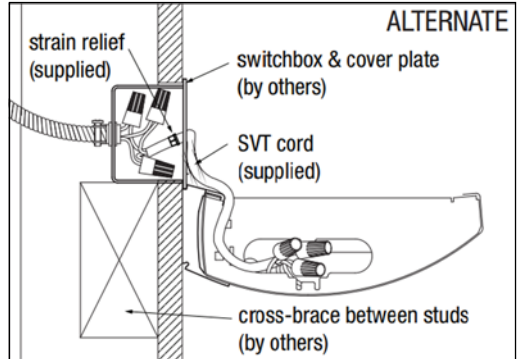
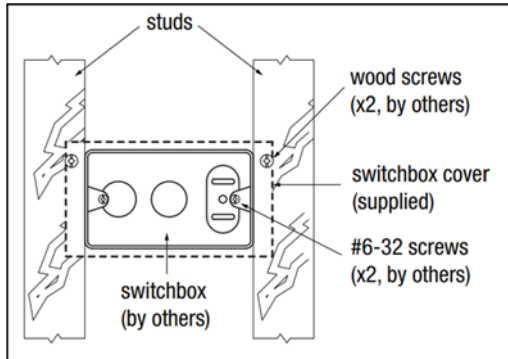
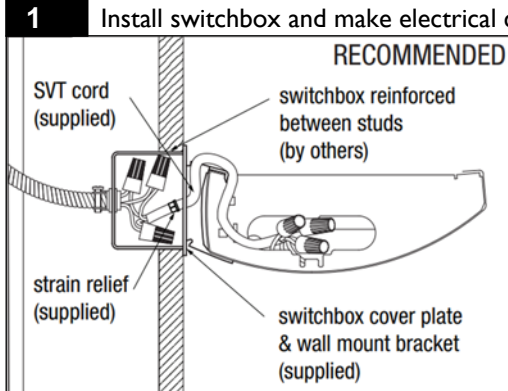
- Medium Phillips Screwdriver
- 3/8" Wrench, 1/4" ratchet with 3/8" socket, or 3/8" GearWrench.

### Mount Spacing

- Variable wall mount brackets can be positioned within 6" of the fixture end or joint.
- Minimum one mount per fixture end and joint
- Refer to Sona Row Configurations document for further information

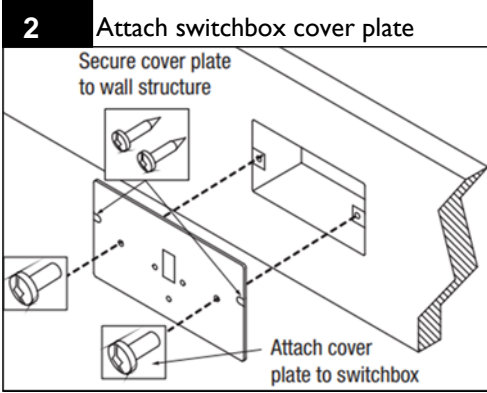
**! ATTENTION: Install in accordance with national and local building and electrical codes.**

**! IMPORTANT**  
All mount brackets must be secured to wall structure (studs or cross braces). Wall bracket(s) must be installed within 6" from fixture end (s).

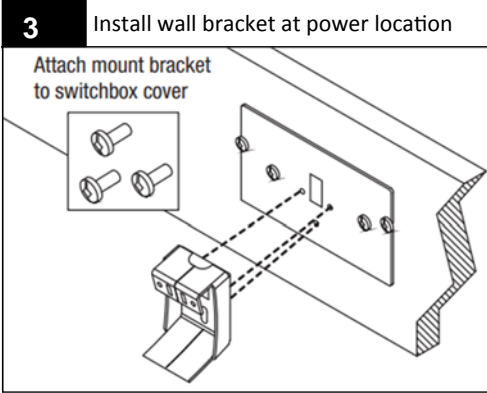


**RECOMMENDED:** For best mounting aesthetics, install switchbox flush with finished wall directly behind fixture's specified power location. Install two studs at mounting location. Leave enough gap between studs to accommodate standard switchbox mounted sideways (about 4"). Make electrical connections in switchbox with supplied SVT cord. Secure power cord with supplied strain relief on the switchbox side.

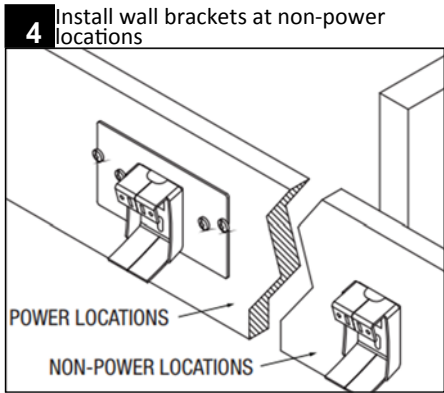
**ALTERNATE:** Install switchbox as close as possible to fixture's power mount location. Run power cord (supplied) from switchbox to fixture. Crimp strain reliefs (supplied) on cord inside switchbox and fixture-level wire cover. Allow at least 12" of cord outside the wall for connection.



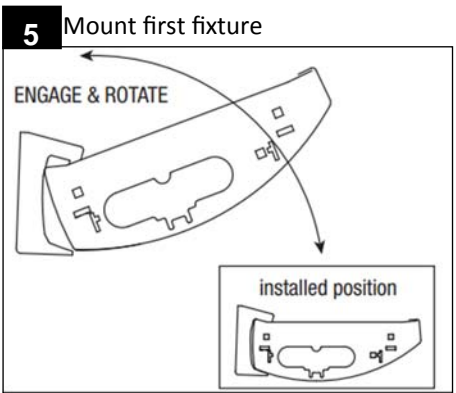
Feed SVT cord through hole in supplied switchbox cover plate. Attach cover plate to switchbox with two screws (supplied by others). Secure cover plate to wall structure with two structural screws (supplied by others).



**RECOMMENDED:** Attach wall mount bracket to switchbox cover plate with 3 screws (supplied). Leave power cord outside wall for connection.  
**ALTERNATE:** Install wall mount bracket within 6" from fixture end, as close as possible to power supply. Secure bracket to wall structure.



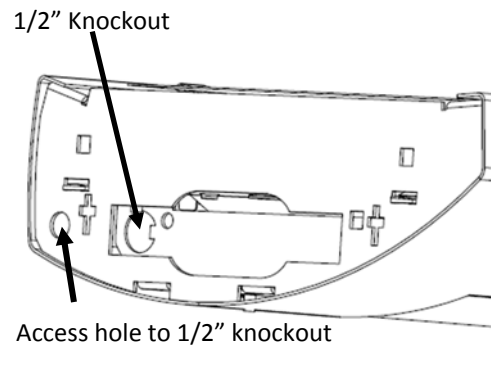
Install additional wall mount brackets as required for single fixture or continuous rows. Ensure additional brackets are level with first bracket.  
**IMPORTANT:** Attach wall mount brackets to wall structure within 6" from ends of fixture.



Raise first fixture into position and engage it on wall brackets, then rotate it down into position (as shown).  
**IMPORTANT:** For power locations, knock out 1/2" EKO before raising into position. Go to STEP 6 for further instruction.

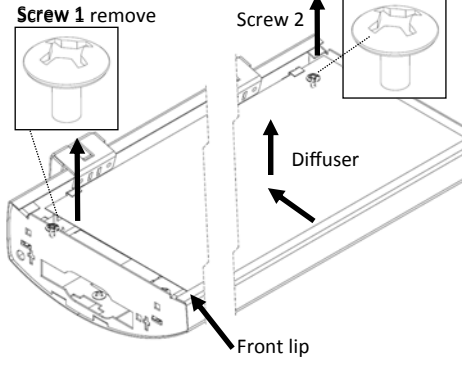
**! ATTENTION: Install in accordance with national and local building and electrical codes.**

**6** Complete electrical connection at end



**POWER LOCATION:** Break 1/2" knock-outs in cross plate before raising into position. Raise luminaire as described in STEP 5.

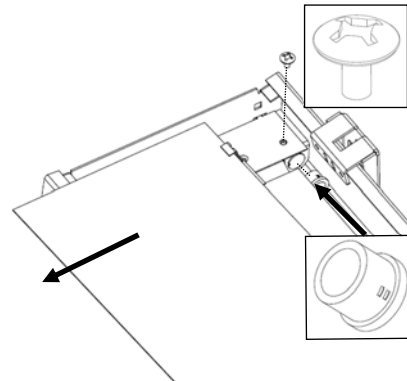
**7.1** Power entry preparation (7708)



Remove screws on both sides to allow LED light engine reflector to be removed. Untuck diffuser from under front lip of housing before removing light engine.

**IMPORTANT:** To avoid damage of light engine unplug the red & black DC wire harness connector from the light engine.

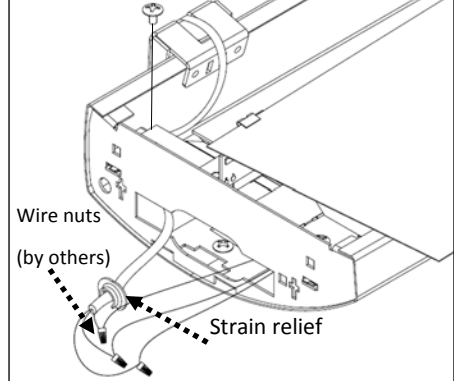
**7.1a**



Once light engine and diffuser is moved away from wire cover you will have access to the knocked out 1/2" EKO.

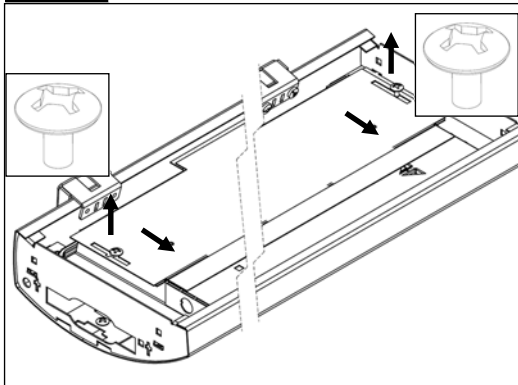
Insert bushing from the inside of the luminaire. Begin preparation for power connection.

**7.1b**



Install strain relief under reflector to secure power cord. Remove installed quick-connect plugs and complete electrical connections using wirenuts (supplied by others). Tuck wires into wiring cavity. **NONPOWER** LOCATIONS: Cap all wires and tuck into wire cavity.

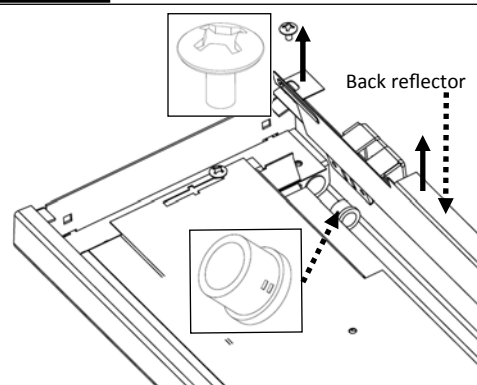
**7.2** Power entry preparation (7708)



Recommended to unsecure top screws holding down light engine, to allow LED light engine to be slid away from the wall side.

**IMPORTANT:** If end screws are removed the reflector will not stop when slid. Do not lift light engine out to avoid damage to the DC wires connected to the LED boards.

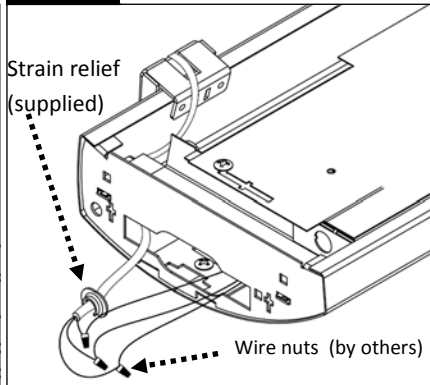
**7.2a**



Remove both screws securing back wall reflector. Remove back reflector to gain access to the EKO knock out.

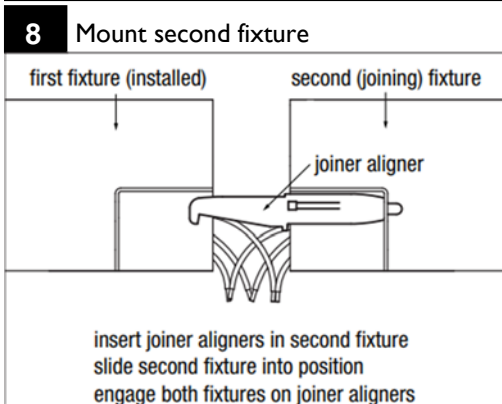
Insert bushing from the inside of the luminaire. Begin preparation for power connection.

**7.2b**

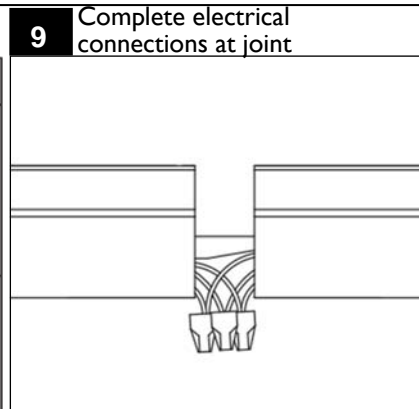


Install strain relief under reflector to secure power cord. Remove installed quick-connect plugs and complete electrical connections using wirenuts (supplied by others). Tuck wires into wiring cavity. **NONPOWER** LOCATIONS: Cap all wires and tuck into wire cavity.

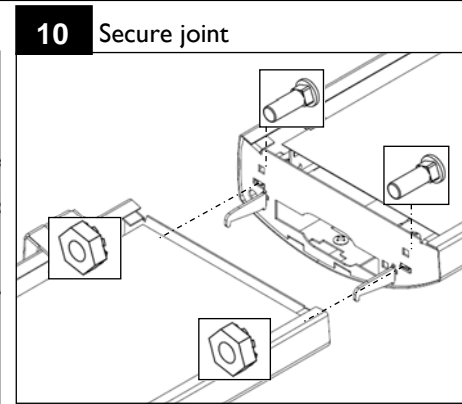
**! ATTENTION: Install in accordance with national and local building and electrical codes.**



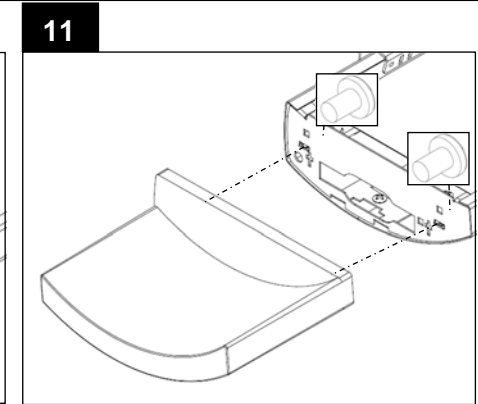
Insert joiner aligners into second (joining) fixture. Raise second fixture into position; at end opposite joint, engage fixture into wall mount bracket (shown in STEP 5). At joint, carefully slide fixture into position so that first and second fixtures are engaged on joiner aligners.



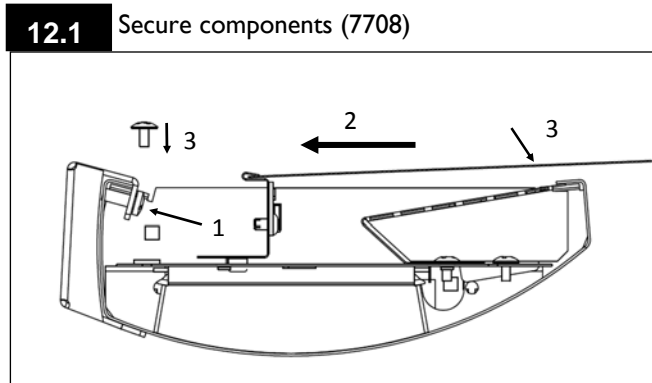
Complete electrical connections at joint using supplied quick-wire connectors. Tuck wires into wiring cavity.



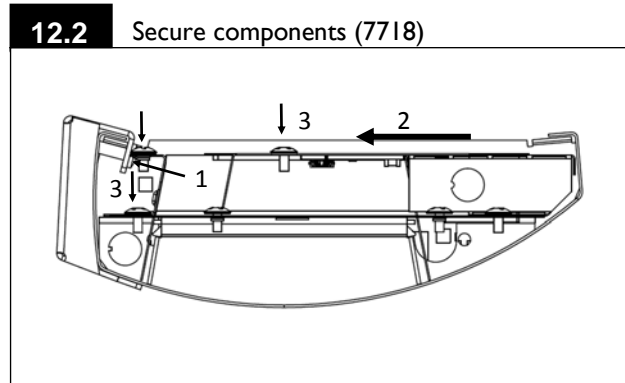
10. Recommended for ease during installation remove both screws holding light engine and untuck diffuser from front lip of housing (See Step 7). This will allow for access to secure joint hardware. (see Step 12).  
Secure joint using supplied nuts and bolts. Ensure star washer side faces against metal plate at end of fixture. Repeat steps 8 - 10 for each additional fixture in row.



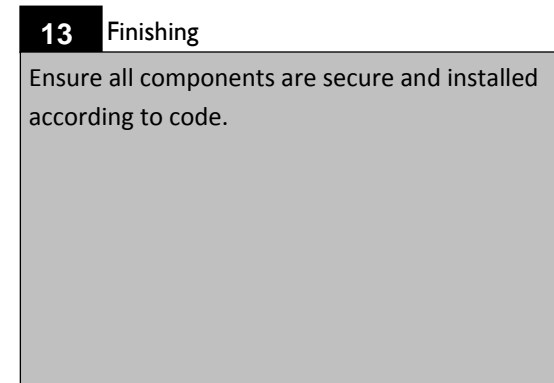
11. Install endcaps using supplied hardware. NOTE: Two different endcaps supplied (left/right). IMPORTANT: Ledalite recommends hand-tightening screws or using low torque setting on power tools.



1. Secure fixture(s) to wall mount brackets with two screws (supplied, #10-32 x 1/2") at each bracket location.
2. Lift light engine and slide back into place. Tuck diffuser back under front lip of housing.
3. Re-insert the two screws holding light engine in place.



1. Secure fixture(s) to wall mount brackets with two screws (supplied, #10-32 x 1/2") at each bracket location
2. Slide light engine back into place and secure screws once flush to back reflector.
3. Secure screws to hold light engine in place. If completing power entry fixture re-install back reflector before sliding back light engine.



**! ATTENTION: Install in accordance with national and local building and electrical codes.**